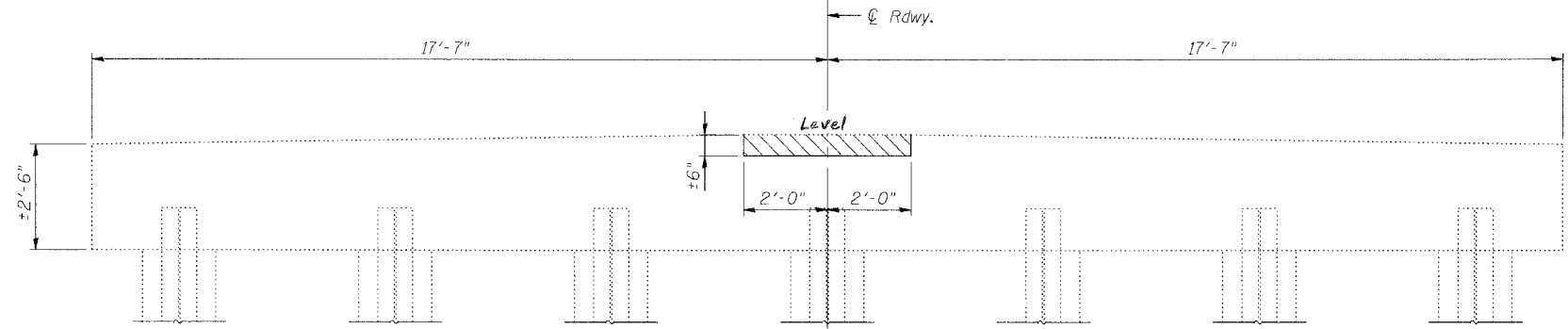


STATE OF ILLINOIS
DEPARTMENT OF TRANSPORTATION

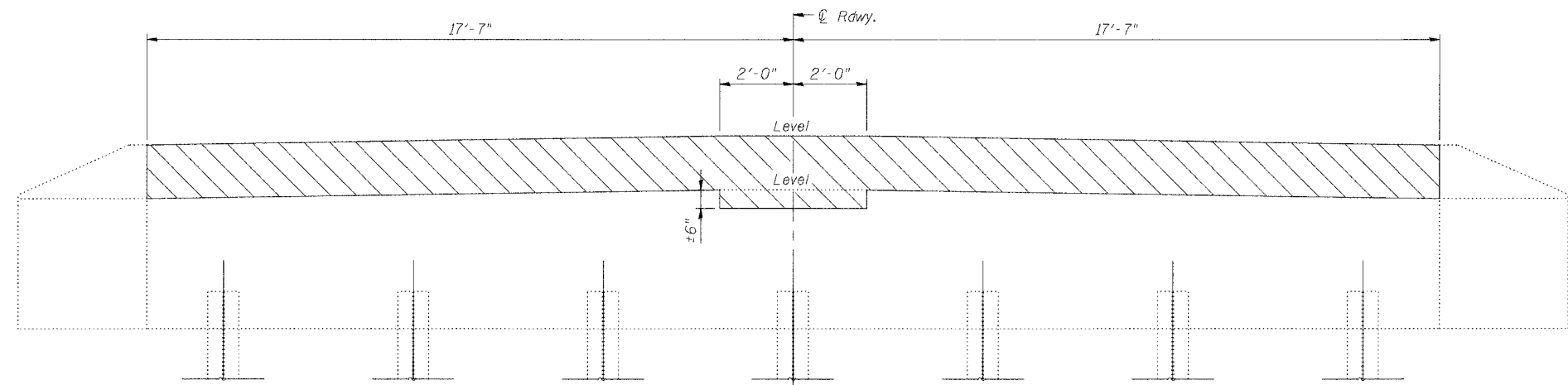
| | | | | |
|---------------------|----------|------------------|--------------|-----------|
| ROUTE NO. | SECTION | COUNTY | TOTAL SHEETS | SHEET NO. |
| FAS 1324 | 38 BR-1 | IROQUOIS | 29 | 13 |
| FED. ROAD DIST. NO. | ILLINOIS | FED. AID PROJECT | | |

SHEET NO. 5
7 SHEETS

Contract # 66564



PIER ELEVATION

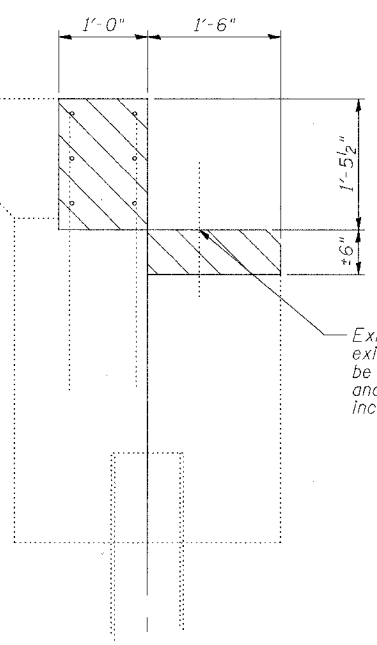


ABUTMENT ELEVATION

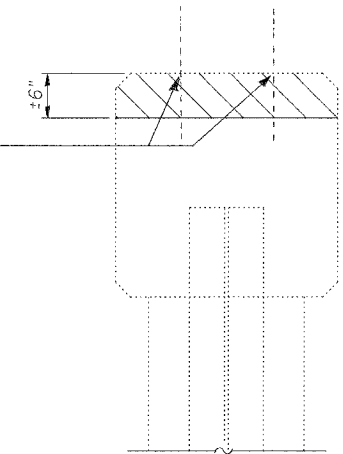
Looking North (N. Abut.)
Looking South (S. Abut.)

LEGEND

Indicates Concrete Removal



SECTION THRU ABUT.
(at CL Rdwy.)



SECTION THRU PIER
(at CL Rdwy.)

Note:

Existing reinforcement extending into removed areas shall be cleaned, straightened and incorporated into new construction. Any reinforcement bars that are damaged during concrete removal shall be replaced with an approved bar splicer or anchorage system. Cost included with "Concrete Removal".

Existing $\frac{3}{4}$ " ϕ x 1'-6" dowel rods extending from existing beams into abutment and pier caps shall be cut off flush with the top of the bearing seat and covered with a layer of epoxy grout. Cost included with "Removal of Existing Superstructures".

FILE NAME = J:\03236\MOID\DRAWINGS\1324\38-0185\SN038-0185.REM.dgn
PLOT DATE = 12/8/2005
PLOT TIME = 8:38:46 AM
OPERATOR = daveh

| REVISIONS | |
|-----------|------|
| NAME | DATE |
| | |
| | |
| | |
| | |
| | |

ILLINOIS DEPARTMENT OF TRANSPORTATION
CONCRETE REMOVAL DETAILS

OLD US 45 OVER LANGAN CREEK
FAS ROUTE 1324 SECTION 38 BR-1
IROQUOIS COUNTY
STATION 558+74
S.N. 038-0185

SCALE: VERT. _____
HORIZ. _____
DATE: ***/**/05

DESIGNED BY: HEBERLING
CHECKED BY: SANFORD

COMPUTER FILE NO.
SN038-0185.REM.dgn

PROJECT W0-10
03236

GREENE & BRADFORD, INC.
OF SPRINGFIELD
PROFESSIONAL ENGINEER
1201 N. 9th St., Springfield, IL 62761-1000
TEL: 217-791-1227 FAX: 217-791-1228