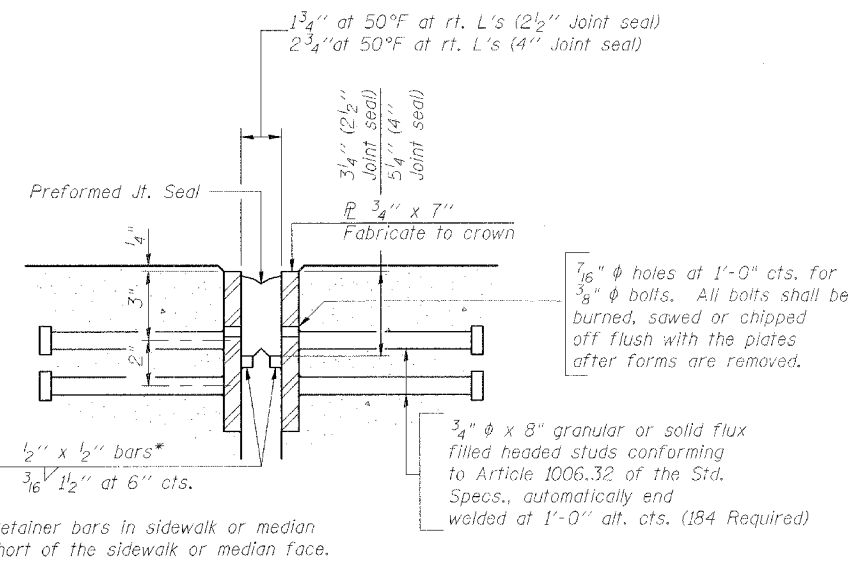


STATE OF ILLINOIS
DEPARTMENT OF TRANSPORTATION

| | | | | | |
|------------------------|------------------------|----------------------|--------------------|-----------------|--------------------------|
| ROUTE NO. FAP 68 | SECTION 105 BR-1 | COUNTY LIVINGSTON | TOTAL SHEETS 45 | SHEET NO. 16 | SHEET NO. 5 14 SHEETS |
| FED. ROAD DIST. NO. | | ILLINOIS | FED. AID PROJECT | | |

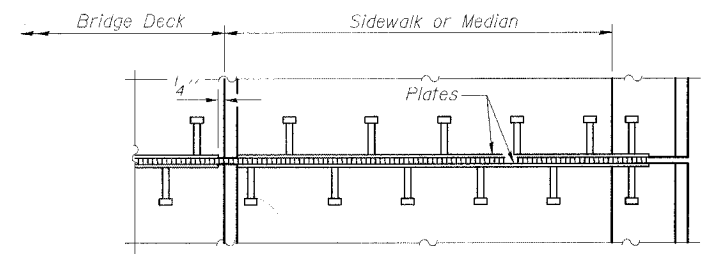
Contract #66566



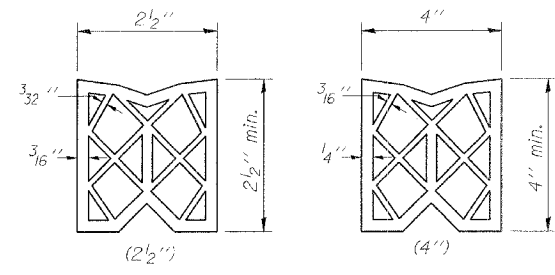
SECTION THRU EXPANSION JOINT
(2 1/2" and 4" joint seals)

| Design Movement | Required Preformed Joint Seal Size | Required Strip Seal Rated movement |
|-----------------|------------------------------------|------------------------------------|
| 1" | 2 1/2" | 1" |
| 1 5/8" | 4" | 2" |

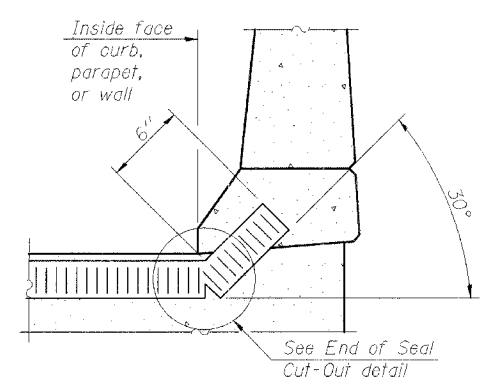
GENERAL NOTES
Furnish steel plates in segments of 20 feet maximum length. Maximum space between installed segments shall be 3/16". Seal space with silicone sealant suitable for structural steel.



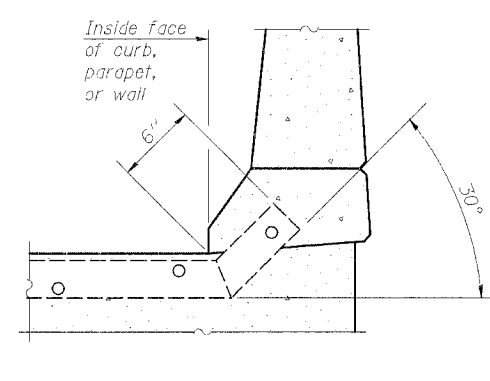
PLAN AT SIDEWALK OR MEDIAN



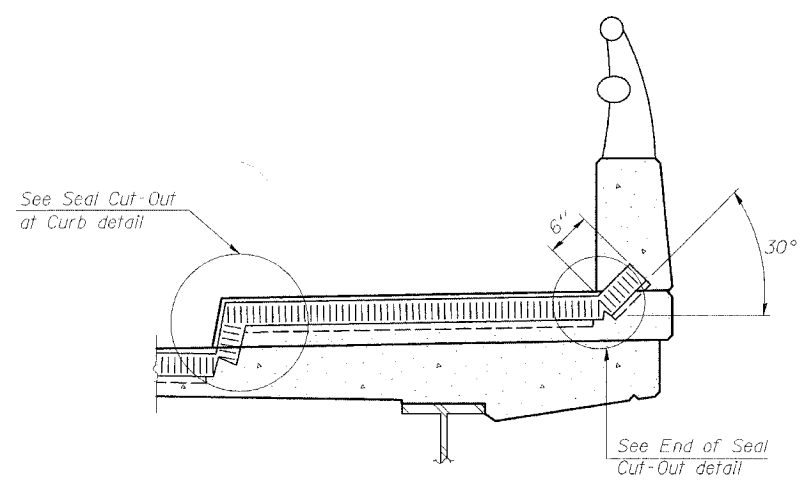
PREFORMED JOINT SEAL



AT CURB, PARAPET, OR WALL
(Showing seal)



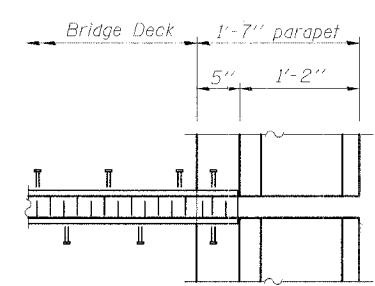
AT CURB, PARAPET, OR WALL
(Showing plate)



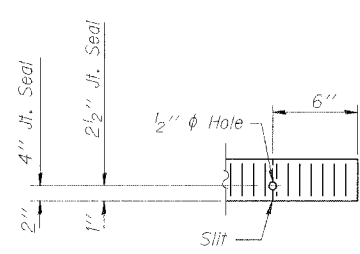
AT SIDEWALK OR MEDIAN*
(Showing plate and seal)

* Shorter plates with a single row of studs at 12" centers may be necessary on medians which are shallower than 9". See manufacturer's recommendation.

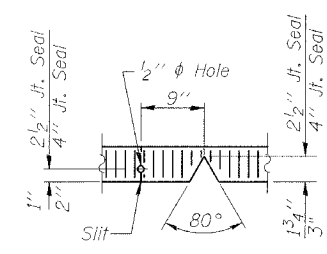
TYPICAL END TREATMENTS



PLAN AT PARAPET



END OF SEAL CUT-OUT



SEAL CUT-OUT AT CURB

BILL OF MATERIAL

| Item | Unit | Total |
|-------------------------------------|------|-------|
| Bridge Joint System (Expansion), 1" | Foot | 92 |

ILLINOIS DEPARTMENT OF TRANSPORTATION
BRIDGE JOINT SYSTEM-EXPANSION
(PREFORMED JOINT SEAL)
FAP RTE 68 (IL 23) OVER WOLF CREEK
SECTION 105 BR-1
LIVINGSTON COUNTY
STATION 586+62
S.N. 053-0148

SCALE: VERT. _____
HORIZ. _____
DATE: 9/6/05
DRAWN BY: LANDREY
DESIGNED BY: SANFORD
CHECKED BY: TRELLO
COMPUTER FILE NO.
SN053-0148_EJ1
PROJECT 03236 WO-11
12/16/05-MML

| REVISIONS | |
|-----------|------|
| NAME | DATE |
| | |
| | |
| | |
| | |



FILE NAME = I:\03236\work\drawings\sn053-0148\sn053-0148_EJ1.dgn
PLOT SCALE = 0.400000
PLOT DATE = 12/16/2005
PLOT TIME = 10:40:56 AM
OPERATOR = michiel