

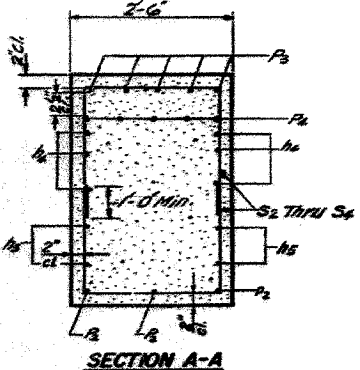
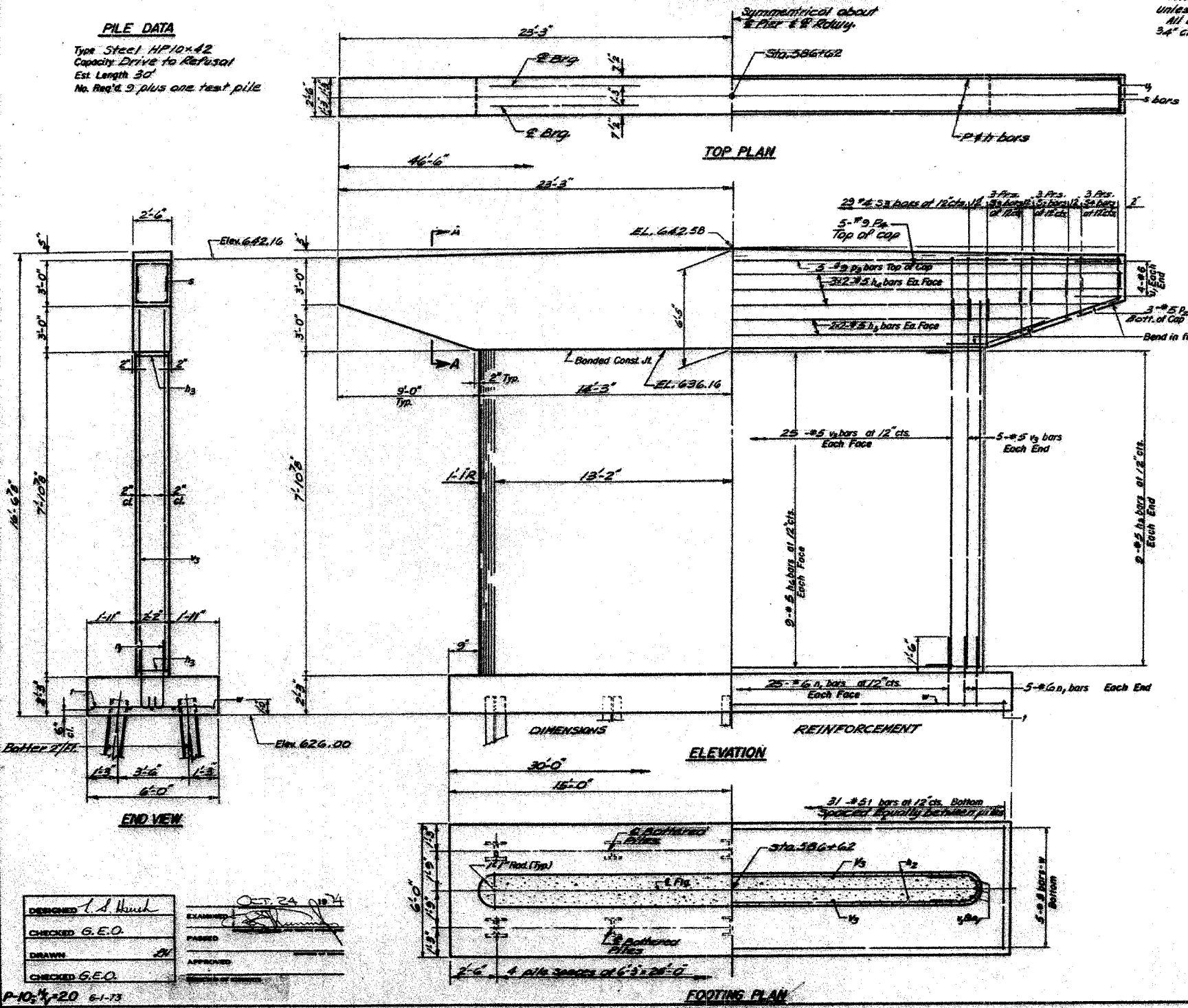
F.A.P. RTE.	SECTION	COUNTY	TOTAL SHEETS	SHEET NO.
68	105 BR-1	LIVINGSTON	45	32
STA.	TO STA.			
FED. ROAD DIST. NO.	ILLINOIS	FED. AID PROJECT		

STATE OF ILLINOIS
DEPARTMENT OF TRANSPORTATION

NOTE:
Place reinforcement in footing to miss piles.
Minimum bar laps = 24 dia
unless otherwise noted
All edges shall have standard 3/4" chamfers except as noted

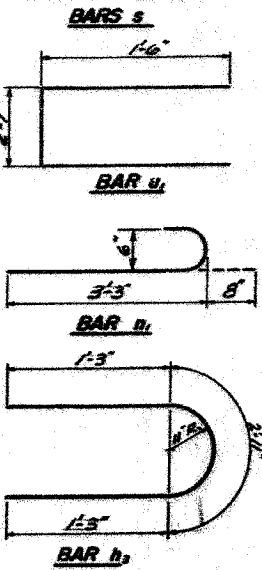
DESIGNED BY	EXAMINED BY	DATE
...

PILE DATA
Type: Steel HP 10x42
Capacity: Drive to Refusal
Est. Length: 30'
No. Req'd: 3 plus one test pile



A-B-B DIMENSIONS

Bar	A	B
S2	2'-2"	2'-9"
S3	2'-2"	3'-9"
S4	2'-2"	2'-3"



BILL OF MATERIAL

Bar	No.	Size	Length	Shape
S2	12	#4	7'-8"	□
S3	61	#4	9'-8"	□
S4	12	#4	6'-8"	□
U1	31	#5	5'-8"	—
U2	8	#6	5'-1"	□
D1	60	#5	11'-6"	—
D2	5	#5	25'-9"	—

Class X Concrete Co. No. 56.5
Reinforcement Bar: Lbs. 3980
Steel Pile Steel Wt. Each: 7
Steel Pile Wt. 42# 24.6# 270

PIER
EA. REINFORCING BAR
LIVINGSTON COUNTY
STA. 586+62.00

DESIGNED	C. J. Hinch	EXAMINED	[Signature]
CHECKED	G.E.O.	PASSED	[Signature]
DRAWN	[Signature]	APPROVED	[Signature]
CHECKED	G.E.O.	DATE	OCT 24 1974

FOR INFORMATION ONLY

REVISIONS

NO.	NAME	DATE

ILLINOIS DEPARTMENT OF TRANSPORTATION
EXISTING BRIDGE PLANS
FAP ROUTE 68 (IL RTE. 23)
SECTION 105 BR-1
LIVINGSTON COUNTY

SCALE: VERT. _____
HORIZ. _____
DATE: 11/15/05

DRAWN BY: SUTHEARD
CHECKED BY: BOTT

GREENE & BRADFORD, INC.
OF SPRINGFIELD
ENGINEERS AND ARCHITECTS
200 EAST MAIN STREET
SPRINGFIELD, ILLINOIS 62761
PH: 217-223-1111 FAX: 217-223-1112

COMPUTER FILE NO.
03236_W011_EPLN
PROJECT 03236 W011
11/15/05 - MDS

PLOT DATE: 12/21/2005
FILE NAME: J:\03236\w011\Drawings\M3236_W011_EPLN.dwg
PLOT SCALE: 50.00000000 / 1 IN.
PLOTTER: HP DesignJet 5000 Series
PLOTTER MODEL: 5000