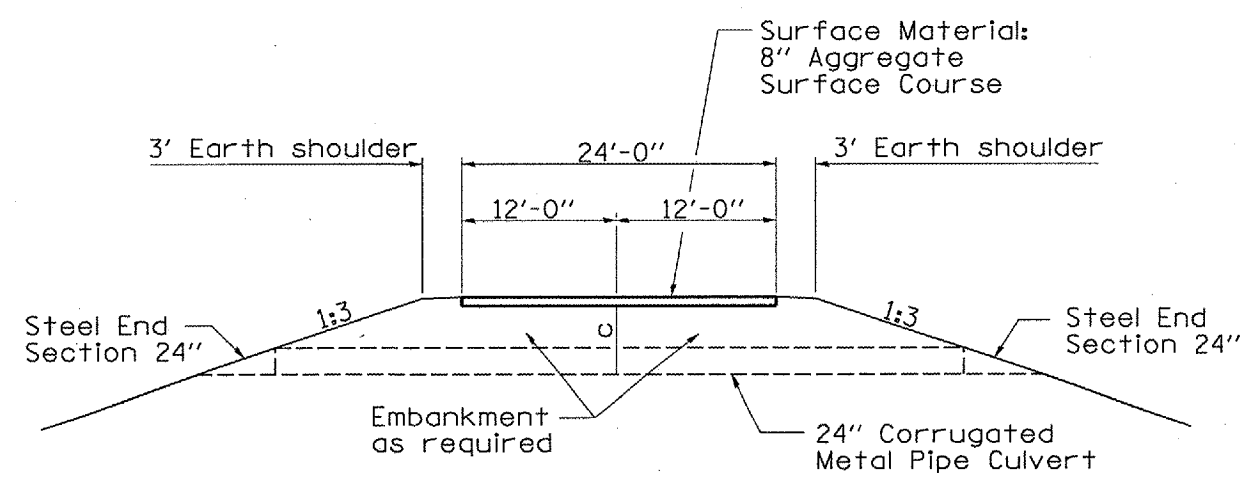
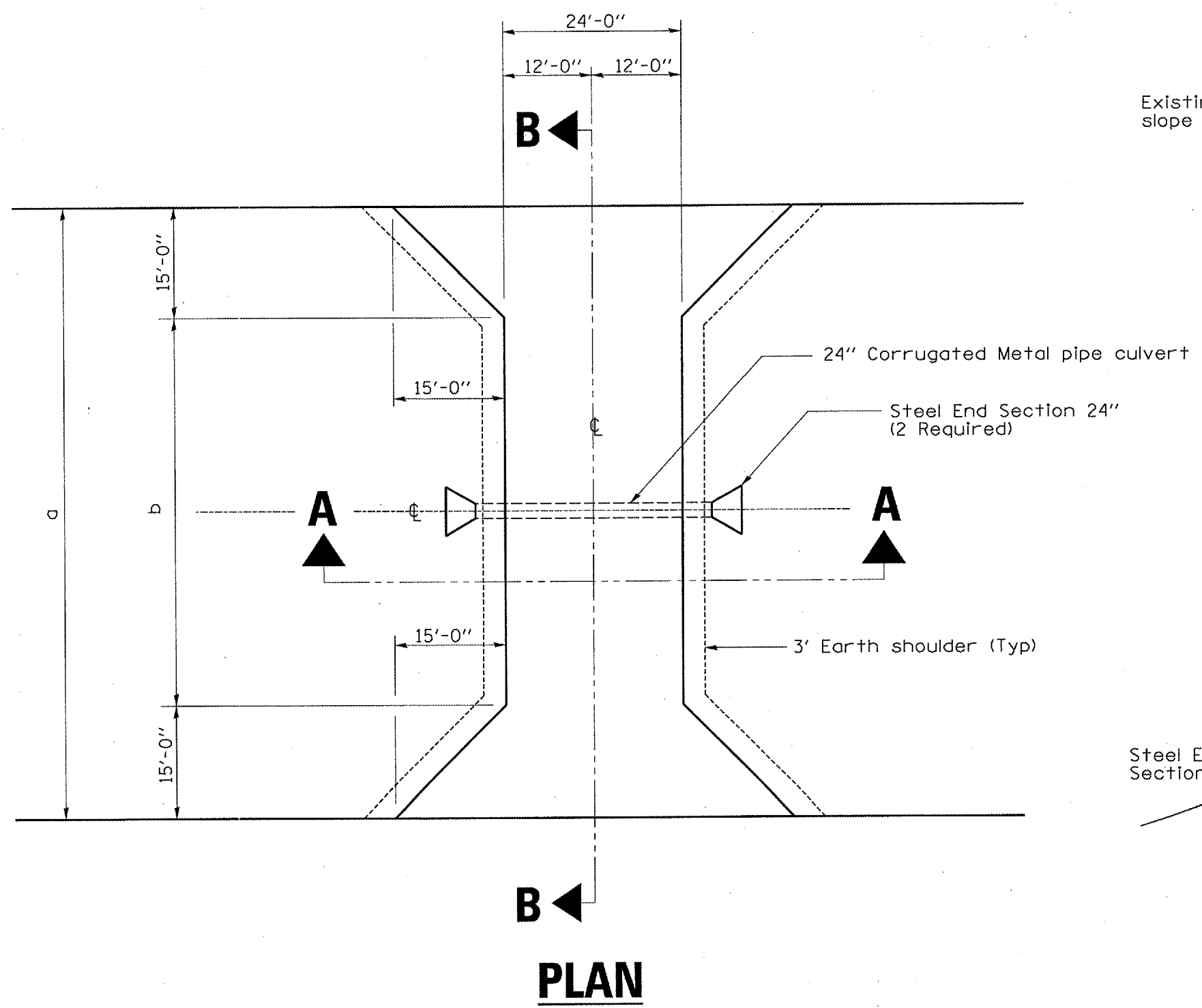
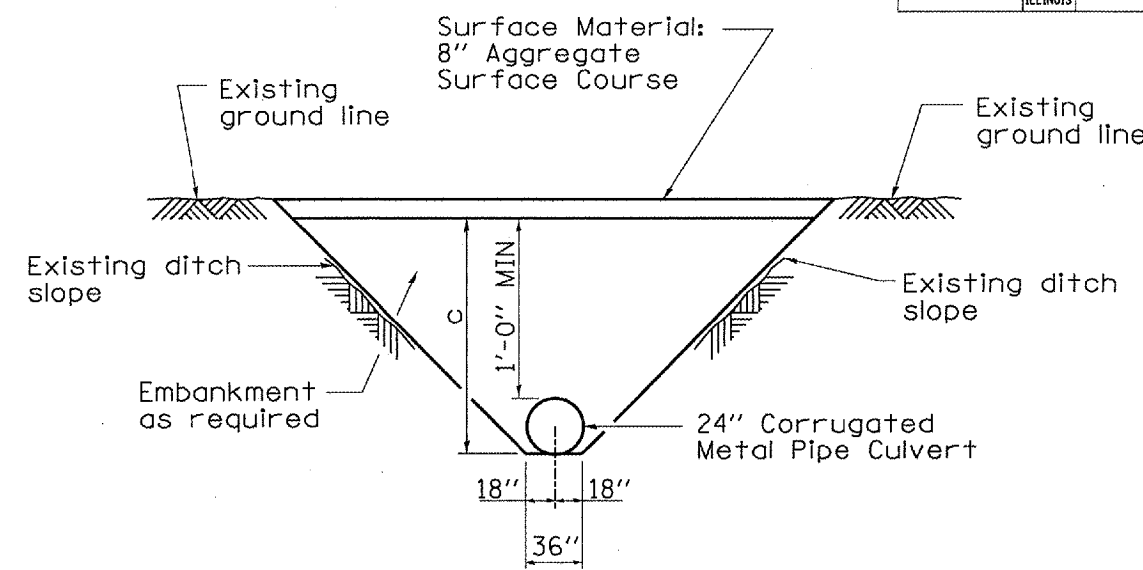


F.A.P. RTE.	SECTION	COUNTY	TOTAL SHEETS	SHEET NO.
326	(111)I-2	GRUNDY	4	4
ILLINOIS				



NOTES: The Contractor shall field verify dimensions "a", "b" and "c" prior to ordering of materials.
 The Contractor may adjust dimensions to fit field conditions. All adjustments shall be approved by the Engineer.

REVISIONS	
NAME	DATE

ILLINOIS DEPARTMENT OF TRANSPORTATION
PROPOSED FIELD ENTRANCE DETAILS
 SCALE: VERT. DATE 12/16/2005
 DRAWN BY: RLW
 CHECKED BY:

Date: December 15, 2005
 c:/projects/wetland restoration/contract 66631/details.dgn