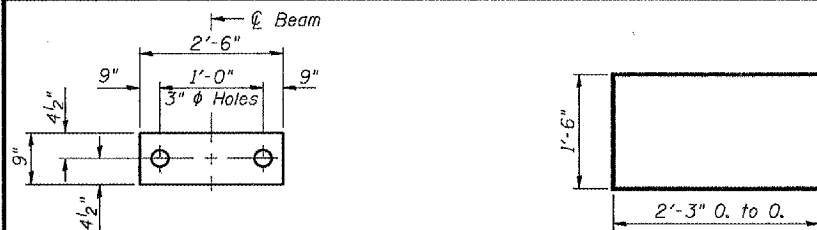


STATE OF ILLINOIS  
DEPARTMENT OF TRANSPORTATION

ROUTE NO.	SECTION	COUNTY	TOTAL SHEETS	SHEET NO.
		Schuyler	9	8
FED. ROAD DIST. NO. 7		ILLINOIS	FED. AID PROJECT	

SHEET NO. 2  
3 SHEETS

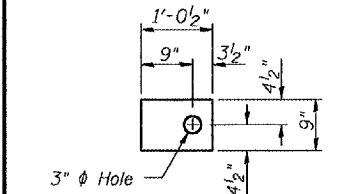
Contract Number: T2A21



**FABRIC BEARING PAD**

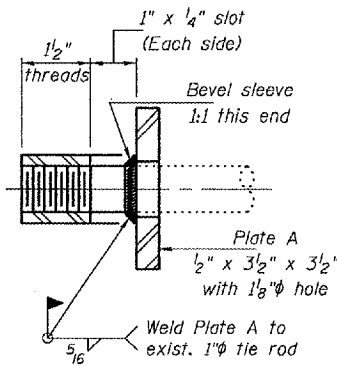
(Omit holes for Expansion Pads)

**BAR U**



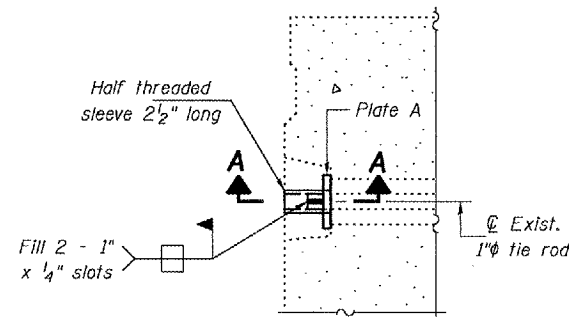
**FABRIC ADJUSTING SHIM**

(Omit hole for Expansion Shims)

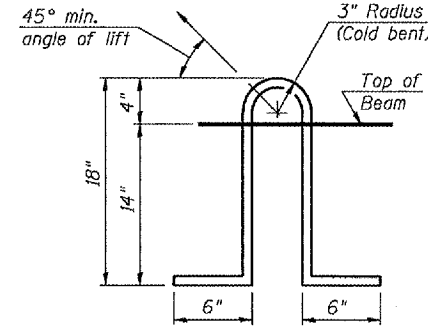


**SECTION A-A**

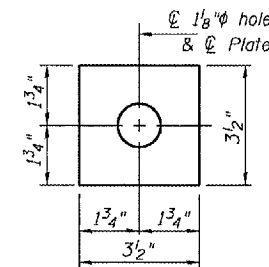
(4 Required)



**DETAIL A**

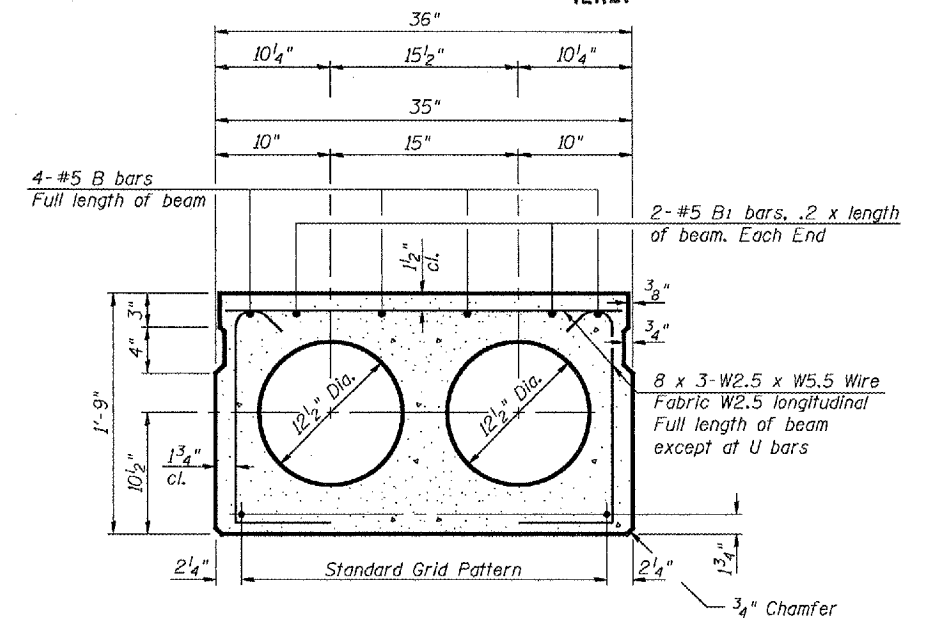


**LIFTING LOOP DETAIL**



**PLATE A**

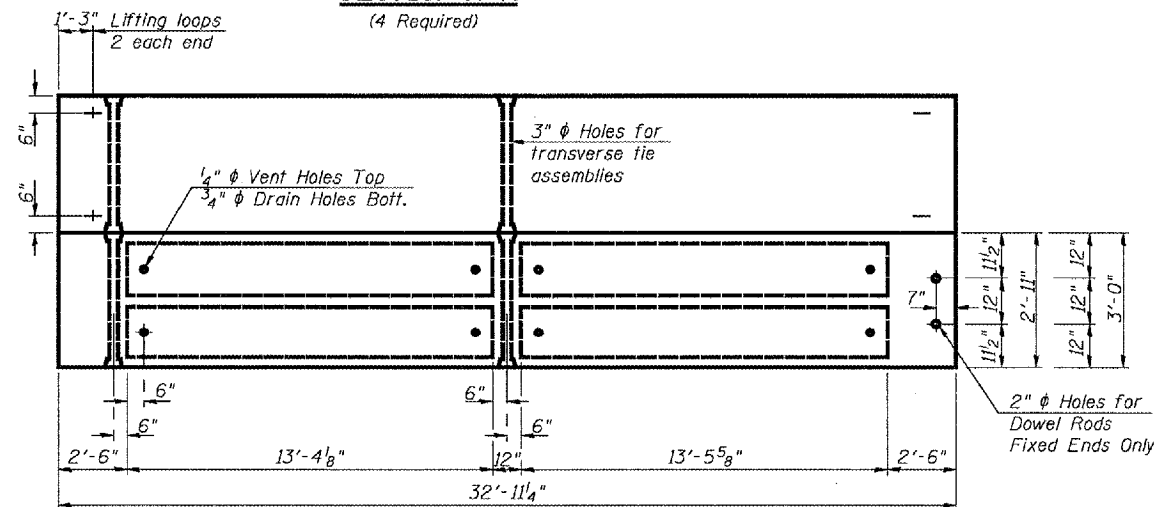
(4 Required)



**TYPICAL SECTION**

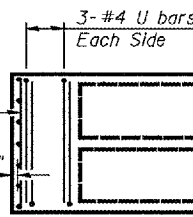
1/2"  $\phi$  Strands, Each Strand Stressed to 30,900 Lbs.  
6-Strands 1 3/4" up

Note:  
Place strands symmetrically about  $\phi$  of beam.



**PLAN**

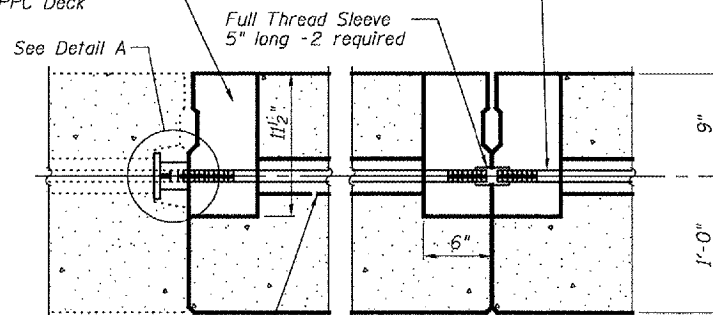
8 x 3-W2.5 x W5.5  
Wire Fabric, W5.5 vert.  
Full depth of beam.  
Each End.



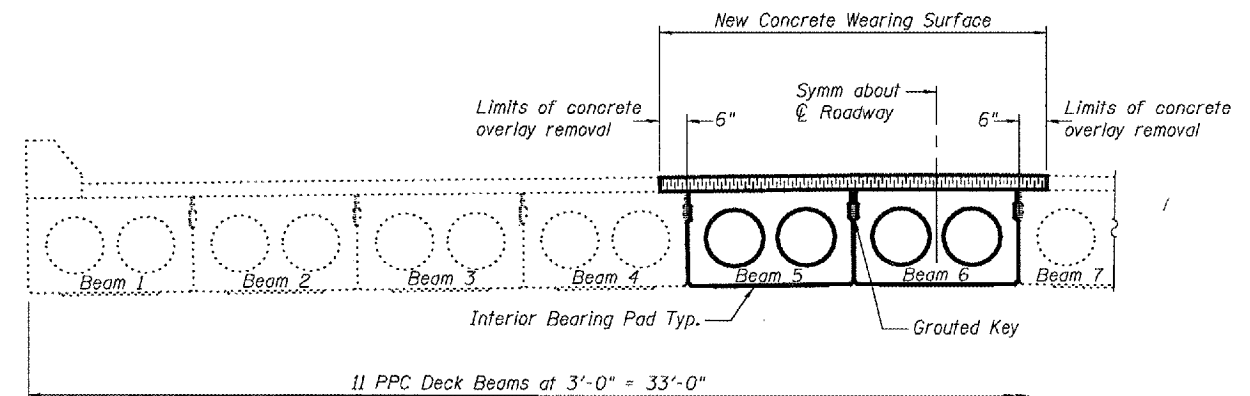
**END PLAN**

6" x 6" x 11 1/2" Blockout to be filled with  
Class BD Concrete after Beams have been  
installed. Quantity included with "PPC Deck  
Beams (21" Depth)". (8 Required)

1"  $\phi$  x 2'-11" Rods  
(Thread each end 4")  
- 4 required



**TYPICAL TRANSVERSE TIE ASSEMBLY**



**HALF CROSS SECTION**

(Looking North)

**NOTES**

Prestressing steel shall be uncoated high strength, low relaxation 7-wire strand, Grade 270. The nominal diameter shall be 1/2" and the nominal cross-sectional area shall be 0.153 sq. in. Lifting loops shall be 2-1/2"  $\phi$ -270 ksi strands, as shown. The 1"  $\phi$  rods in the transverse tie assembly shall be tightened to a snug fit and the threads set. Pockets that receive transverse tie bar on outside shall be filled with grout after transverse tie assembly is in place. Non prestressing steel shall conform to AASHTO M31 or M322 Grade 60. The bearing seat surfaces shall be adjusted by shimming to assure firm and even bearing. Two 1/8" fabric adjusting shims of the dimensions shown shall be provided for each bearing. Keyway surfaces shall be cleaned to remove form oil or other bond breaking material prior to shipment of the beams. Cleaning shall be done by sandblasting the keyway areas between top of the beam and the bottom edge of the key. Corrosion Inhibitor, as covered in the Special Provisions, shall be used in the concrete for precast prestressed concrete deck beams. Required Release Strength, f'ci, shall be 4000 p.s.i.

**BILL OF MATERIAL**

Bar	No.	Size	Length	Shape
Precast Prestressed Conc. Deck Bms.			Sq. Ft.	198

**BEAM DETAILS**  
**IL 101**  
**SCHUYLER COUNTY**  
**SN 085-0016**

DESIGNED	V.H.V.
CHECKED	A.T.H.
DRAWN	Drew Christopher
CHECKED	V.H.V. A.T.H.

January 13, 2006  
EXAMINED *John A. Morris*  
ENGINEER OF STRUCTURAL SERVICES  
PASSED *Ralph E. Anderson*  
ENGINEER OF BRIDGES AND STRUCTURES

PD-3-S 10-22-04