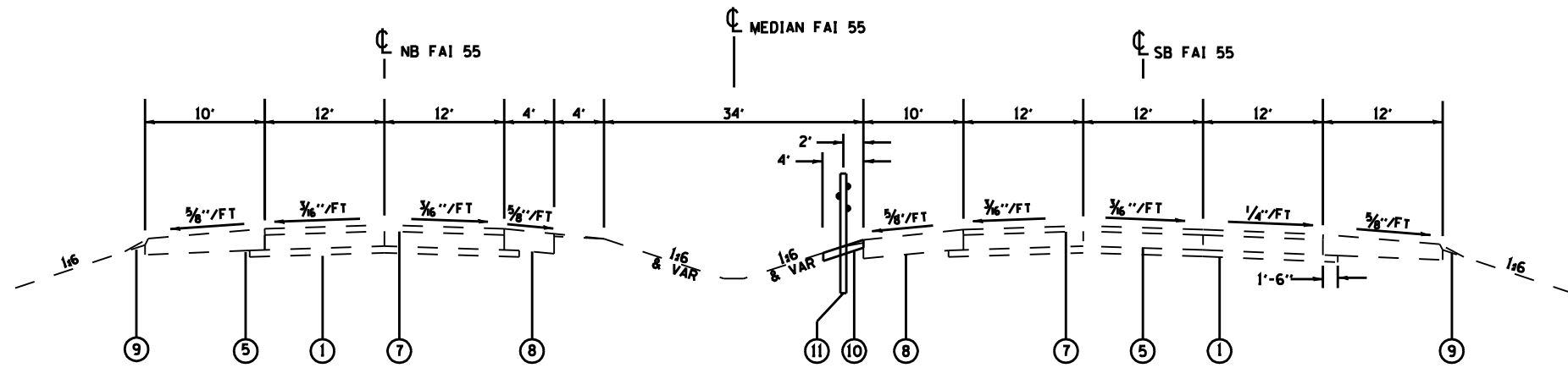


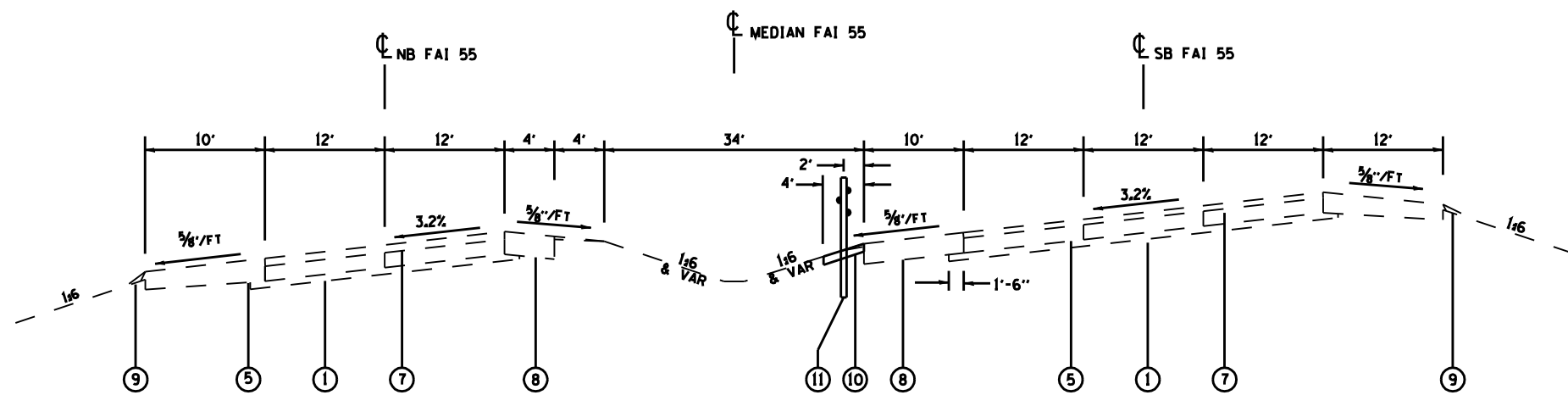
F.A.I. RTE.	SECTION	COUNTY	TOTAL SHEETS	SHEET NO.
55		SANGAMON	20	5
STA.		TO STA.		
FED. ROAD DIST. NO.	ILLINOIS	FED. AID PROJECT		

- D-6 CABLE MED BAR #1



**FAI-55 LOCATION A**

STA 290+17.81 TO STA 297+48.00  
 STA 341+23.00 TO STA 349+10.84  
 STA 366+63.00 TO STA 371+10.00



**FAI-55 LOCATION A**

STA 297+48.00 TO STA 341+23.00  
 STA 371+10.00 TO STA 381+20.00

**LEGEND**

- 1 EX STABILIZED SUB-BASE, 4"
- 2 EX SUB-BASE, GRANULAR MATERIAL
- 3 EX BURIED PAVEMENT
- 4 EX CRC PAVEMENT, 8"
- 5 EX CRC PAVEMENT, 9"
- 6 EX CRC PAVEMENT, 11 1/2"
- 7 EX OVERLAY 3 3/4 "
- 8 EX STABILIZED SHOULDER, 8"
- 9 EX AGGREGATE SHOULDER
- 10 PR BITUMINOUS SHOULDERS SUPERPAVE 4"
- 11 PR HIGH TENSION CABLE MEDIAN BARRIER

REVISIONS	
NAME	DATE

ILLINOIS DEPARTMENT OF TRANSPORTATION

**FAI 55 (I-55)**  
**TYPICAL SECTIONS**  
**SECTION D-6 CABLE MED BAR #1**  
**SANGAMON COUNTY**

SCALE: VERT. \_\_\_\_\_  
 HORIZ. \_\_\_\_\_

DATE \_\_\_\_\_ DRAWN BY \_\_\_\_\_  
 CHECKED BY \_\_\_\_\_

PLOT DATE: 12/04/2009  
 FILE NAME: c:\p\projects\48282\barrier\fa55\typical\p1.dwg  
 PLOT SCALE: 1/4"=1'-0"  
 USER NAME: fenghui