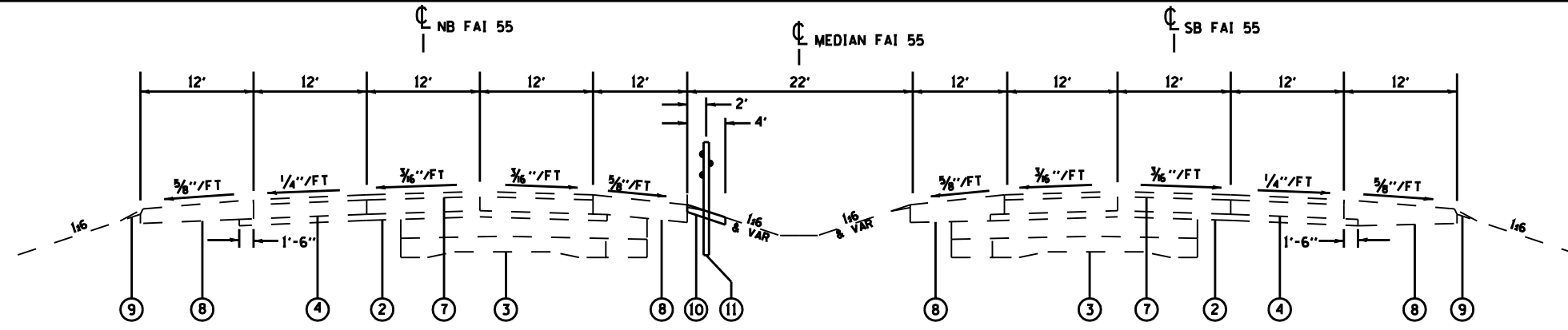
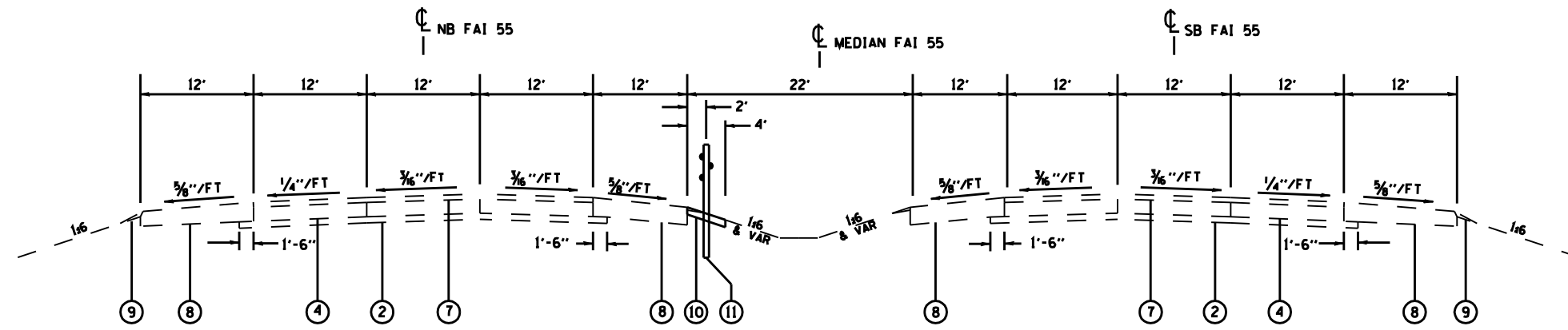


F.A.I. RTE.	SECTION	COUNTY	TOTAL SHEETS	SHEET NO.
55		SANGAMON	20	6
STA.		TO STA.		
FED. ROAD DIST. NO.		ILLINOIS	FED. AID PROJECT	



**FAI-55 LOCATION B**  
 NB STA 0+19.78 TO STA 0+00.00  
 SB STA 8+22.30 TO STA 0+00.00  
 STA EON STA 0+00.00 BK = 167+19.74 AH  
 NB STA 167+19.74 TO STA 236+00.55  
 SB STA 167+19.74 TO STA 236+98.98  
 NB STA 244+99.50 TO STA 252+21.29  
 SB STA 244+60.13 TO STA 253+26.27



**FAI-55 LOCATION B**  
 NB STA 14+15.00 TO STA 0+19.78  
 SB STA 14+15.00 TO STA 8+22.30  
 NB STA 236+00.55 TO STA 244+99.50  
 SB STA 236+98.98 TO STA 244+60.13

**LEGEND**

- 1 EX STABILIZED SUB-BASE, 4"
- 2 EX SUB-BASE, GRANULAR MATERIAL
- 3 EX BURIED PAVEMENT
- 4 EX CRC PAVEMENT, 8"
- 5 EX CRC PAVEMENT, 9"
- 6 EX CRC PAVEMENT, 11 1/2"
- 7 EX OVERLAY 3 3/4 "
- 8 EX STABILIZED SHOULDER, 8"
- 9 EX AGGREGATE SHOULDER
- 10 PR BITUMINOUS SHOULDERS SUPERPAVE 4"
- 11 PR HIGH TENSION CABLE MEDIAN BARRIER

REVISIONS	
NAME	DATE

ILLINOIS DEPARTMENT OF TRANSPORTATION

**FAI 55 (I-55)**  
**TYPICAL SECTIONS**  
**SECTION D-6 CABLE MED BAR #1**  
**SANGAMON COUNTY**

SCALE: VERT. \_\_\_\_\_  
 HORIZ. \_\_\_\_\_

DATE \_\_\_\_\_ DRAWN BY \_\_\_\_\_  
 CHECKED BY \_\_\_\_\_

PLOT DATE: 12/02/2009  
 FILE NAME: c:\p\projects\4828282\barrier\fa55\typical.dwg  
 PLOT SCALE: 42.25%  
 USER NAME: fanghui