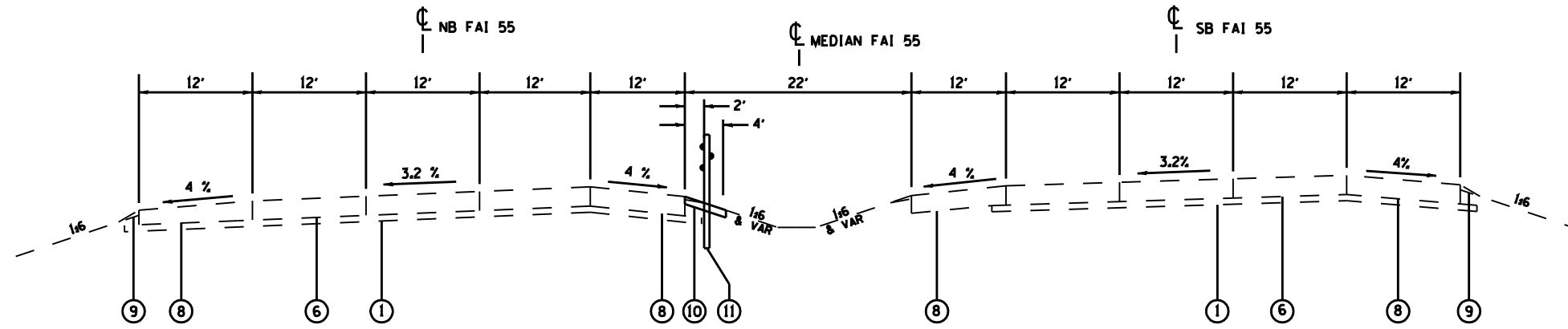
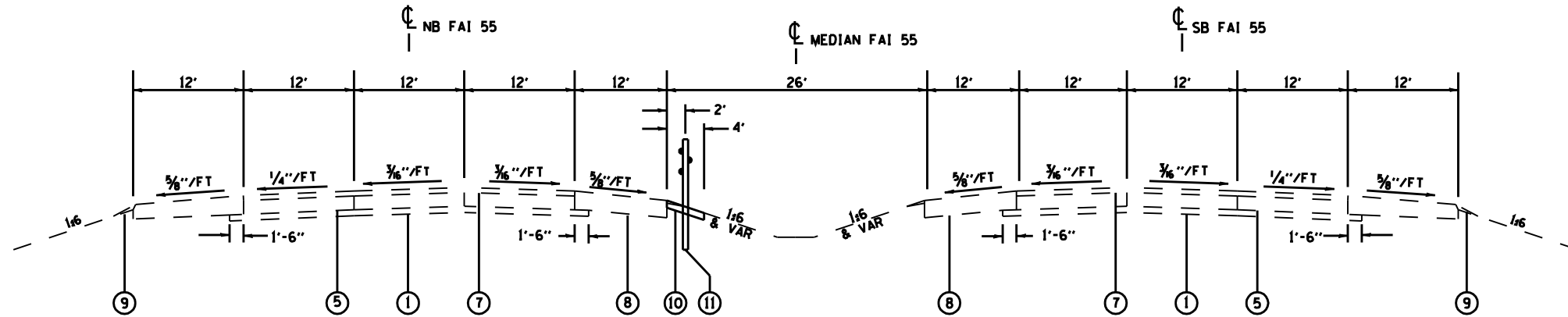


F.A.I. RTE.	SECTION	COUNTY	TOTAL SHEETS	SHEET NO.
55		SANGAMON	20	7
STA.		TO STA.		
FED. ROAD DIST. NO.		ILLINOIS	FED. AID PROJECT	

• - D-6 CABLE MED BAR #1



FAI-55 LOCATION B
 NB STA 252+21.29 TO STA 253+45.00
 SB STA 253+26.27 TO STA 253+45.00



FAI-55 LOCATION B
 STA 301+50.00 TO STA 302+17.85

LEGEND

- 1 EX STABILIZED SUB-BASE, 4"
- 2 EX SUB-BASE, GRANULAR MATERIAL
- 3 EX BURIED PAVEMENT
- 4 EX CRC PAVEMENT, 8"
- 5 EX CRC PAVEMENT, 9"
- 6 EX CRC PAVEMENT, 11 1/2"
- 7 EX OVERLAY 3 3/4 "
- 8 EX STABILIZED SHOULDER, 8"
- 9 EX AGGREGATE SHOULDER
- 10 PR BITUMINOUS SHOULDERS SUPERPAVE 4"
- 11 PR HIGH TENSION CABLE MEDIAN BARRIER

REVISIONS	
NAME	DATE

ILLINOIS DEPARTMENT OF TRANSPORTATION
 FAI 55 (I-55)
 TYPICAL SECTIONS
 SECTION D-6 CABLE MED BAR #1
 SANGAMON COUNTY
 VERT. SCALE: DRAWN BY
 HORIZ. CHECKED BY
 DATE

PLOT DATE: 12/02/2009
 FILE NAME: c:\p\proj\55\422504\barrier\fa55\typical\lodge.dwg
 PLOT SCALE: 422504 / IN
 USER NAME: fanghui