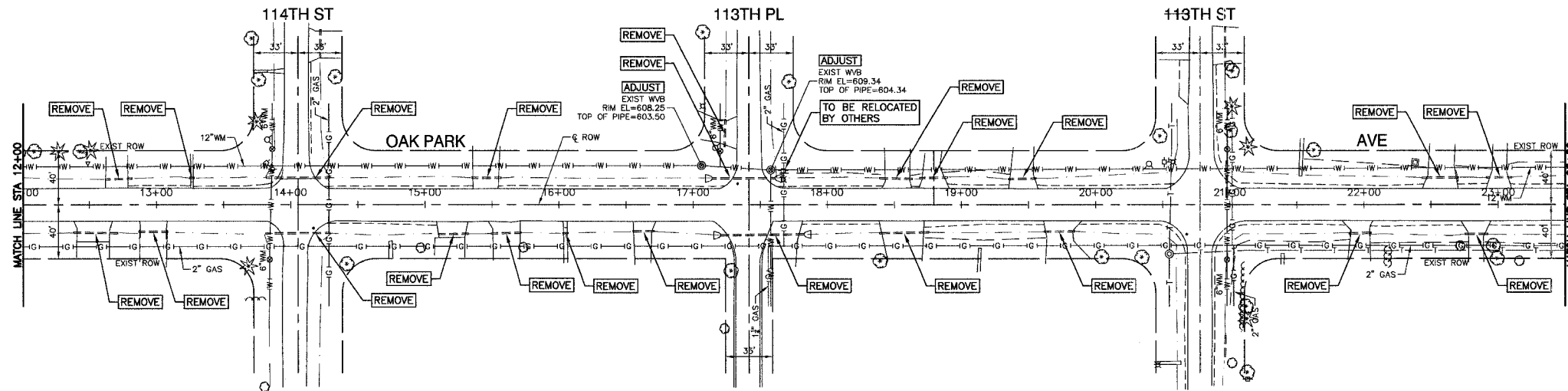
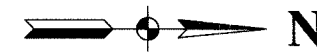
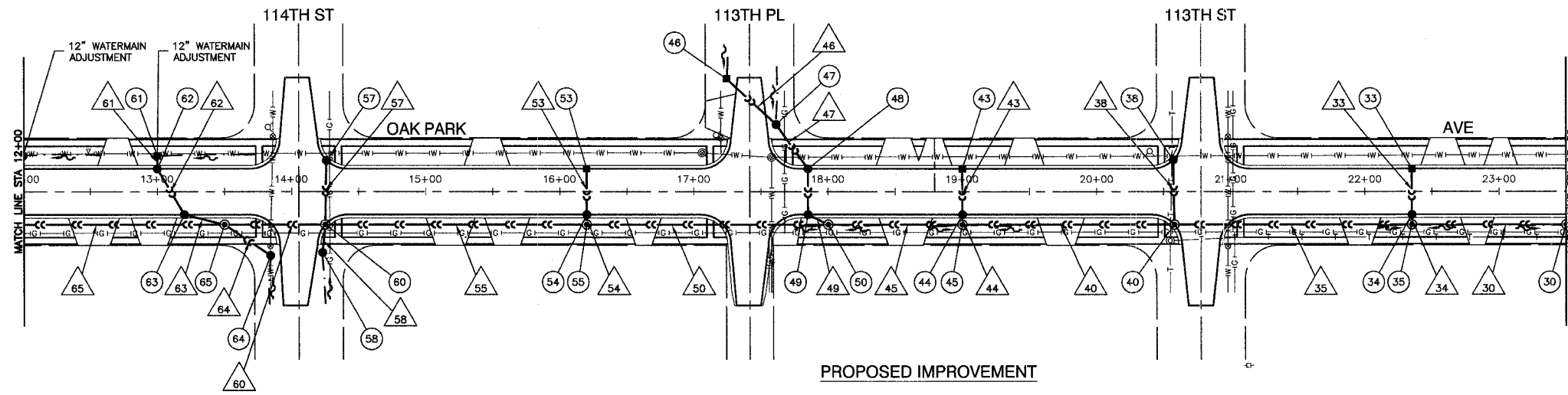


FALL SITE:	SECTION	COUNTY	TOTAL SHEETS	SHEET NO.
2955	02-00049-00-PV	COOK	45	14
STA.	TO STA.			
FED. ROAD DIST. NO.	ALIAS	FED. AID PROJECT		

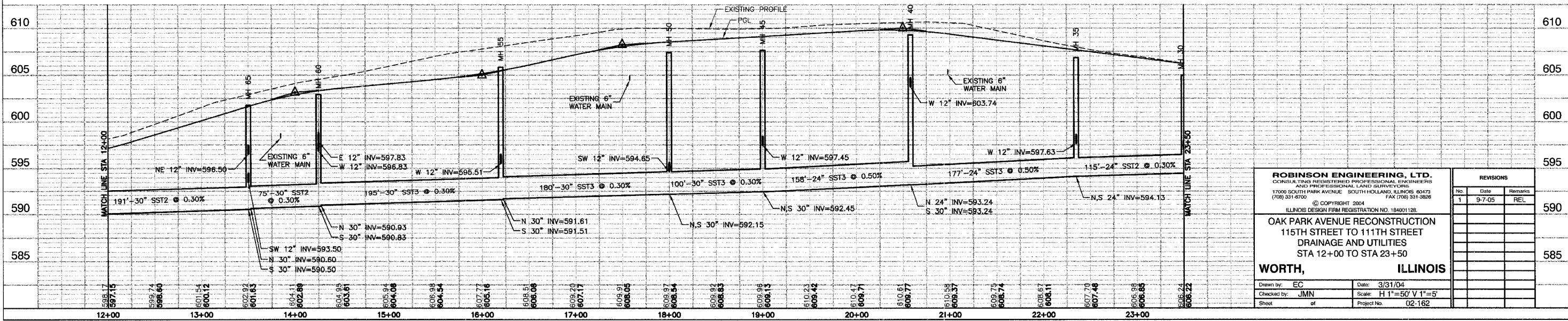
Contract 83819



EXISTING CONDITION



PROPOSED IMPROVEMENT



ROBINSON ENGINEERING, LTD. CONSULTING REGISTERED PROFESSIONAL ENGINEERS AND PROFESSIONAL LAND SURVEYORS 17000 SOUTH PARK AVENUE SOUTH HOLLAND, ILLINOIS 60474 (708) 331-8700 FAX (708) 331-9228 © COPYRIGHT 2004 ILLINOIS DESIGN FIRM REGISTRATION NO. 184001128											
OAK PARK AVENUE RECONSTRUCTION 115TH STREET TO 111TH STREET DRAINAGE AND UTILITIES STA 12+00 TO STA 23+50											
WORTH, ILLINOIS											
Drawn by: EC Checked by: JMN Sheet: of	Date: 3/31/04 Scale: H 1"=50' V 1"=5' Project No: 02-162	<table border="1"> <thead> <tr> <th colspan="3">REVISIONS</th> </tr> <tr> <th>No.</th> <th>Date</th> <th>Remarks</th> </tr> </thead> <tbody> <tr> <td>1</td> <td>9-7-05</td> <td>REL</td> </tr> </tbody> </table>	REVISIONS			No.	Date	Remarks	1	9-7-05	REL
REVISIONS											
No.	Date	Remarks									
1	9-7-05	REL									