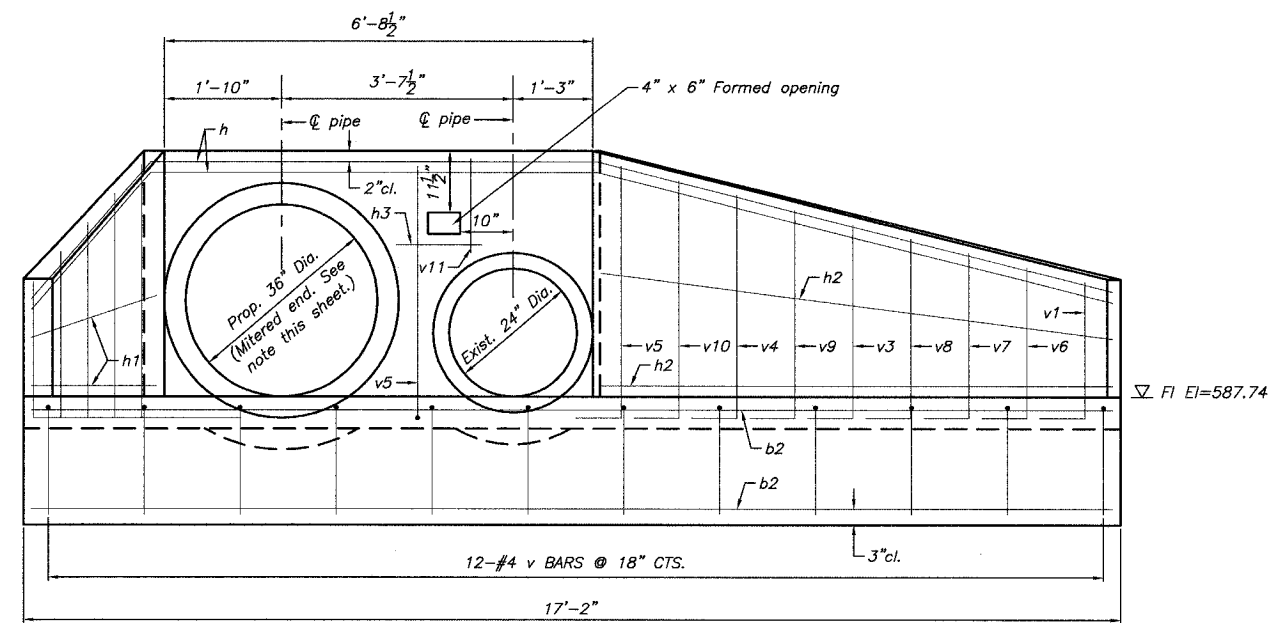
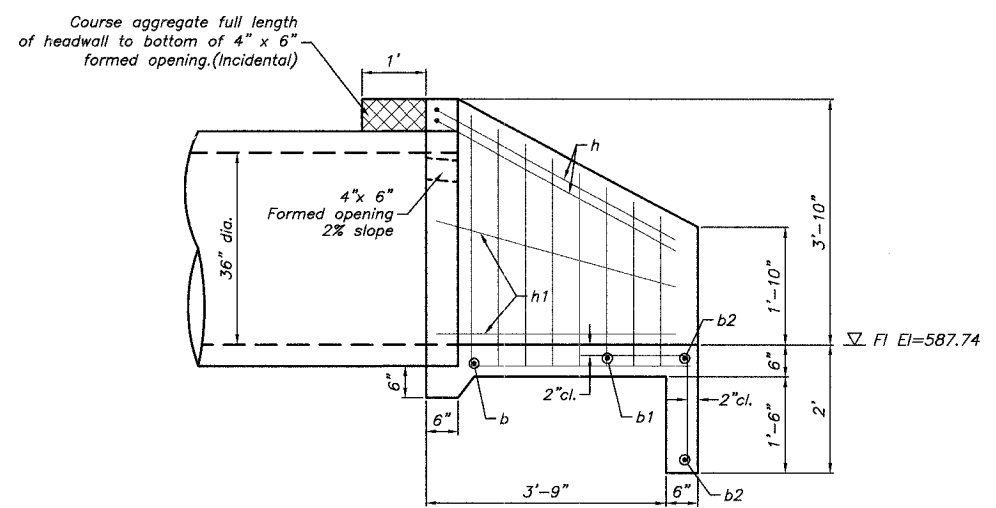


Contract 83819



ELEVATION
SCALE: 3/4" = 1'-0"

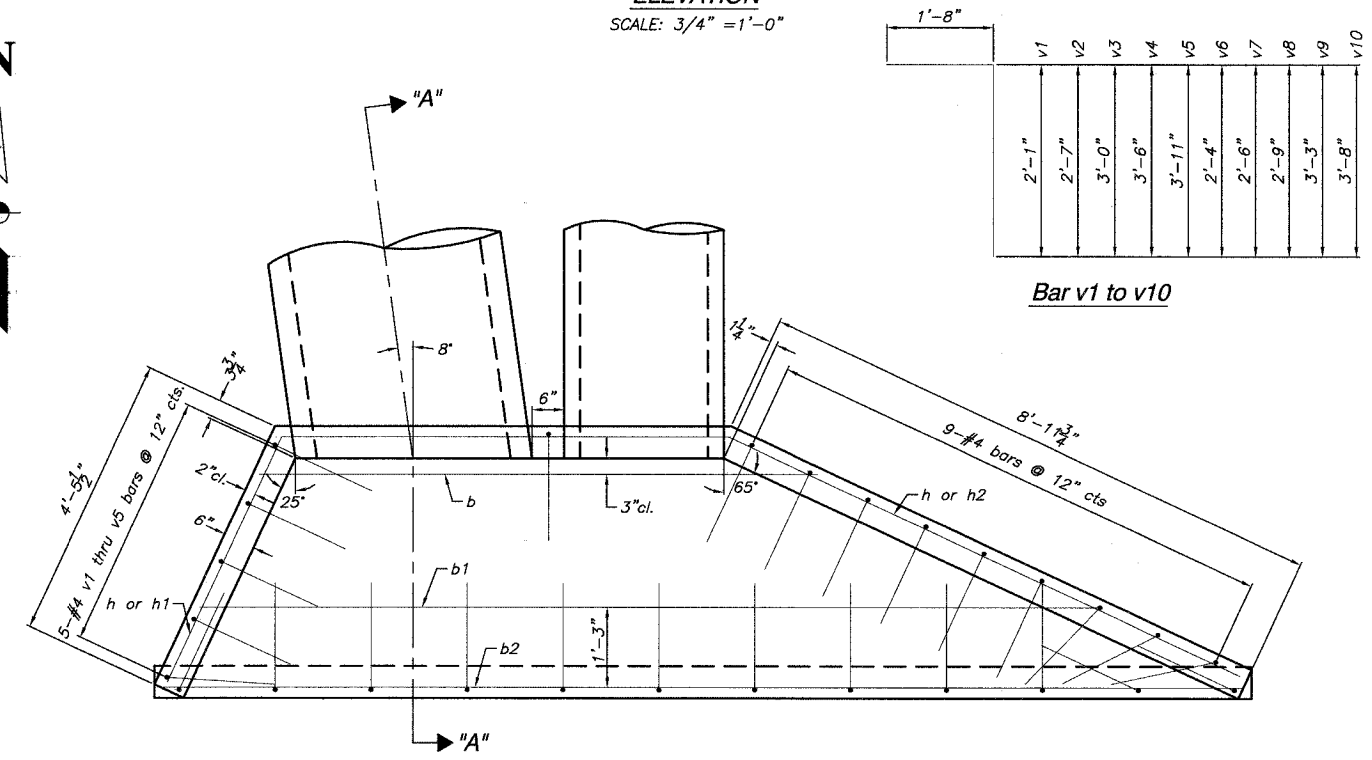
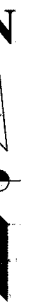


SECTION A-A
SCALE: 3/4" = 1'-0"

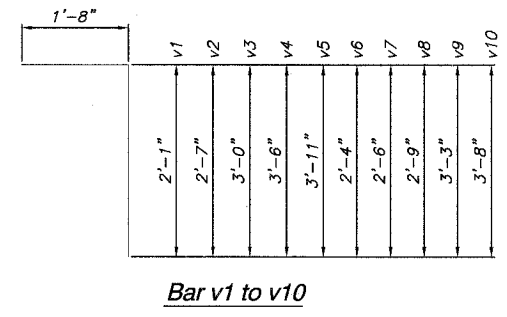
Bill of Materials

Bar	No.	Size	Length	Shape
b	1	#4	8'-8"	—
b1	1	#4	14'-0"	—
b2	2	#4	16'-10"	—
h	2	#4	20'-7"	∩
h1	2	#4	4'-2"	—
h2	2	#4	8'-9"	—
h3	1	#4	1'-3"	—
v	12	#4	3'-4"	└
v1	2	#4	3'-9"	└
v2	1	#4	4'-3"	└
v3	2	#4	4'-8"	└
v4	2	#4	5'-2"	└
v5	3	#4	5'-7"	└
v6	1	#4	4'-0"	└
v7	1	#4	4'-2"	└
v8	1	#4	4'-5"	└
v9	1	#4	4'-11"	└
v10	1	#4	5'-4"	└
v11	1	#4	1'-5"	—
CLASS SI CONCRETE*			CU.YDS.	2.5
REINFORCEMENT BARS*			POUNDS	158

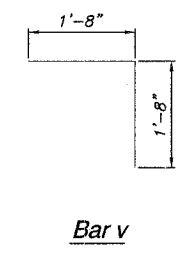
* THESE ITEMS SHALL BE CONSIDERED INCLUDED IN THE COST OF THE CONCRETE HEADWALLS AND CONFORM TO THE APPLICABLE SECTIONS OF THE STANDARD SPECIFICATIONS.



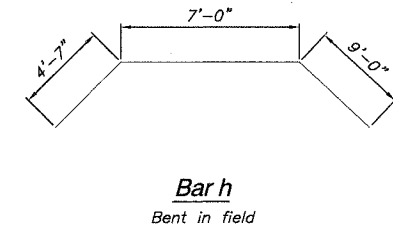
PLAN VIEW
SCALE: 3/4" = 1'-0"



Bar v1 to v10



Bar v



Bar h
Bent in field

Notes:

- 2" clearance to be maintained throughout unless otherwise noted.
- Class SI concrete to be used throughout.
- Chamfer all exposed edges 3/4" minimum.
- Reinforcement bars shall conform to the requirements of AASHTO M-31 or M-322 Grade 60.
- End of 36" dia. pipe to be manufactured with mitered end so as to be flush with face of headwall.
- Geotechnical filter fabric shall be provided at the 4" x 6" formed opening in accordance with articles 502.01 and 503.12 of the Standard Specifications.

ROBINSON ENGINEERING, LTD.
CONSULTING REGISTERED PROFESSIONAL ENGINEERS
AND PROFESSIONAL LAND SURVEYORS
17000 SOUTH PARK AVENUE SOUTH HOLLAND, ILLINOIS 60473
(708) 331-6700 FAX (708) 331-9826
© COPYRIGHT 2004

OAK PARK AVENUE RECONSTRUCTION
115TH STREET TO 111TH STREET
STORM SEWER OUTFALL-HEADWALL DETAIL
STA 00+41

WORTH ILLINOIS

Drawn by: EC, AG Date: 3/31/04
Checked by: AJ Scale: 3/4" = 1'-0"
Sheet of Project No. 02-162

REVISIONS		
No.	Date	Remarks