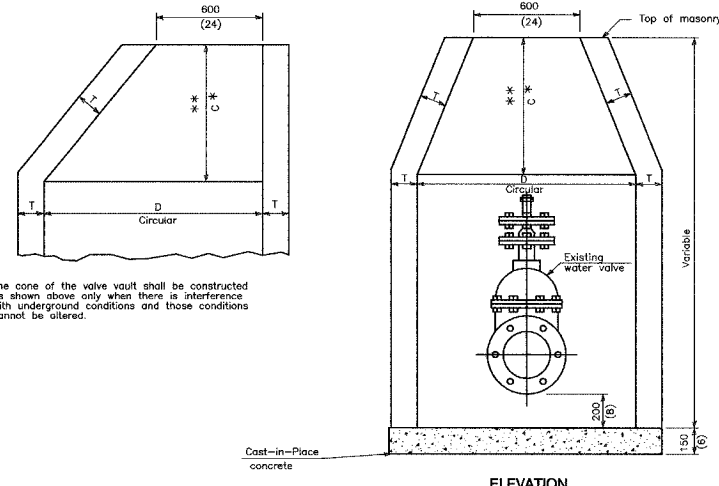


FAIL. RTE.	SECTION	COUNTY	TOTAL SHEETS	SHEET NO.
2955	02-00049-00-PV	COOK	45	25
STA.		TO STA.		
FED. ROAD DIST. NO.	LINKS	FED. AID PROJECT		

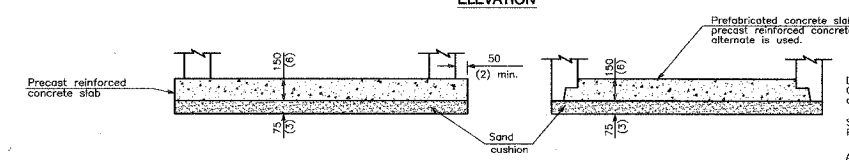
Contact 83819



The cone of the valve vault shall be constructed as shown above only when there is interference with underground conditions and those conditions cannot be altered.

ALTERNATE MATERIALS FOR WALLS	D	C	T (min.)
Precast Reinforced Concrete Section	1.2 m (4'-0")	750 (30)	100 (4)
	1.5 m (5'-0")	1,115 m (3'-9")	125 (5)

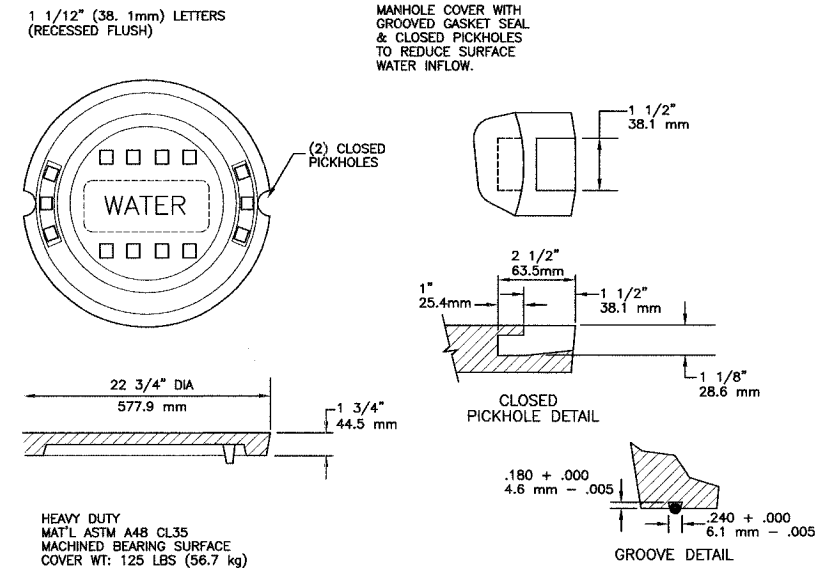
DIAMETER OF WATER MAIN	D
200 (8) and under	1.2 m (4'-0")
250 (10) and over	1.5 m (5'-0")



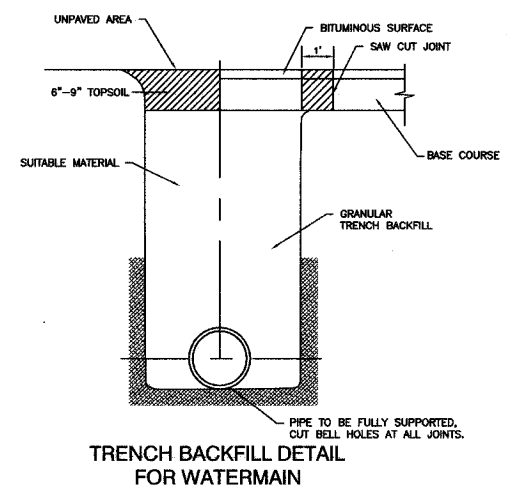
Pre-fabricated concrete slab, when the precast reinforced concrete section alternate is used.

* GENERAL NOTES
 Dimension "C" for Precast Reinforced Concrete Section may vary from the dimension given to plus 150 mm (6").
 See DETAIL 602601 for optional Precast Reinforced Concrete Flat Top Slab.
 All dimensions are in millimeters (inches) unless otherwise shown.

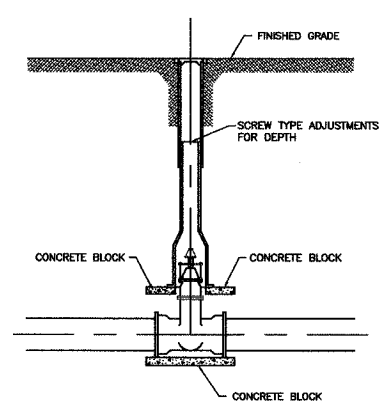
VALVE VAULT TYPE A



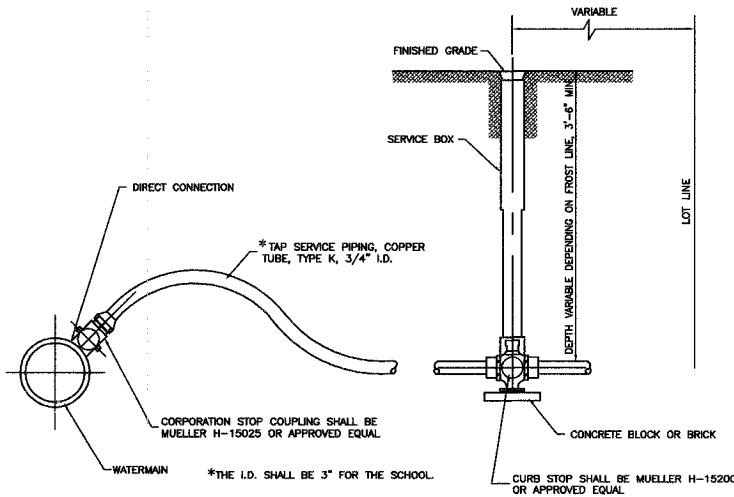
SPECIAL LETTERED MANHOLE COVER
 E.J.I.W. 1022Z3



TRENCH BACKFILL DETAIL FOR WATERMAIN



TYPICAL VALVE BOX INSTALLATION



TYPICAL WATER SERVICE INSTALLATION

ROBINSON ENGINEERING, LTD. CONSULTING REGISTERED PROFESSIONAL ENGINEERS AND PROFESSIONAL LAND SURVEYORS 17000 SOUTH PARK AVENUE SOUTH HOLLAND, ILLINOIS 60473 (708) 331-6700 FAX (708) 331-3826 © COPYRIGHT 2004 ILLINOIS DESIGN FIRM REGISTRATION NO. 184001128		REVISIONS No. Date Remarks	
OAK PARK AVENUE RECONSTRUCTION 115TH STREET TO 111TH STREET DETAILS			
WORTH, ILLINOIS			
Drawn by: PS/EDG	Date: 3/31/04		
Checked by: WD	Scale: NONE		
Sheet of	Project No. 02-162		