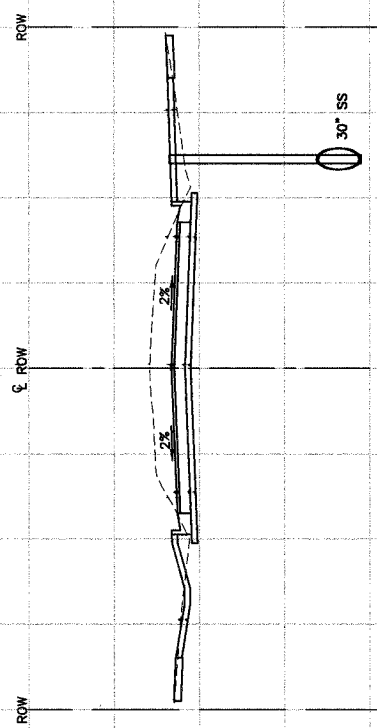


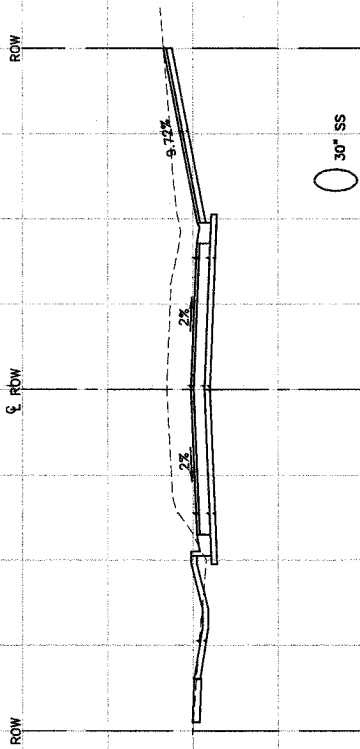
FAA SITE	SECTION	COUNTY	TOTAL SHEETS	SHEET NO.
2955	02-00049-00-PV	COOK	45	34
STA.	TO STA.			
FED. ROAD DIST. NO.	ILLINOIS	FED. AID PROJECT		

Contract 83819

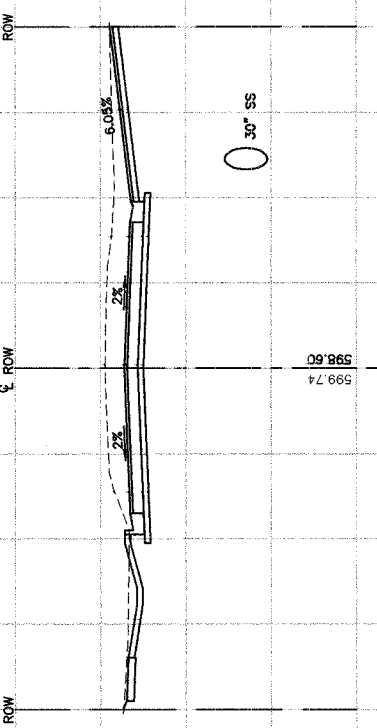
610
605
600
595
590
585



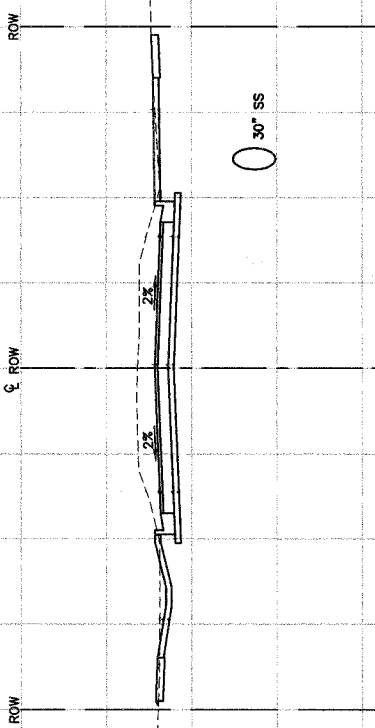
610
605
600
595
590
585



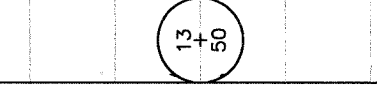
605
600
595
590
585



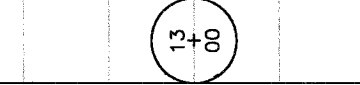
605
600
595
590
585
580



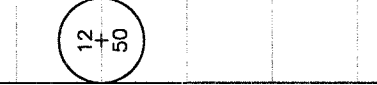
610
605
600
595
590
585



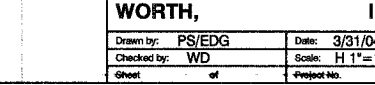
610
605
600
595
590
585



605
600
595
590
585



605
600
595
590
585
580



ROBINSON ENGINEERING, LTD.
CONSULTING REGISTERED PROFESSIONAL ENGINEERS
AND PROFESSIONAL LAND SURVEYORS
17000 SOUTH PARK AVENUE SOUTH HOLLAND, ILLINOIS 60473
(708) 331-6700 FAX (708) 331-3626
© COPYRIGHT 2004
ILLINOIS DESIGN FIRM REGISTRATION NO. 154001128

**OAK PARK AVENUE RECONSTRUCTION
115TH STREET TO 111TH STREET
CROSS SECTIONS
WORTH, ILLINOIS**

Drawn by: PS/EDG Date: 3/31/04
Checked by: WD Scale: H 1"=10' V 1"=5'
Sheet of Project No. 02-162

REVISIONS		
No.	Date	Remarks
1	8/23/04	PS