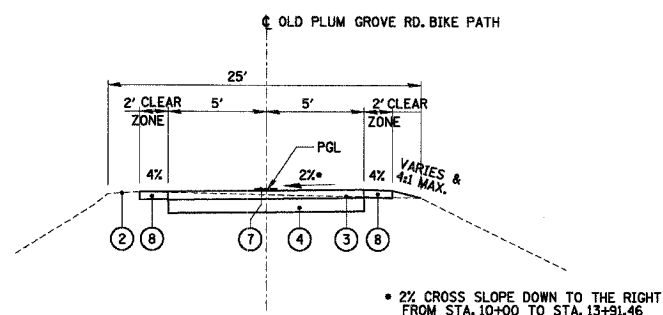


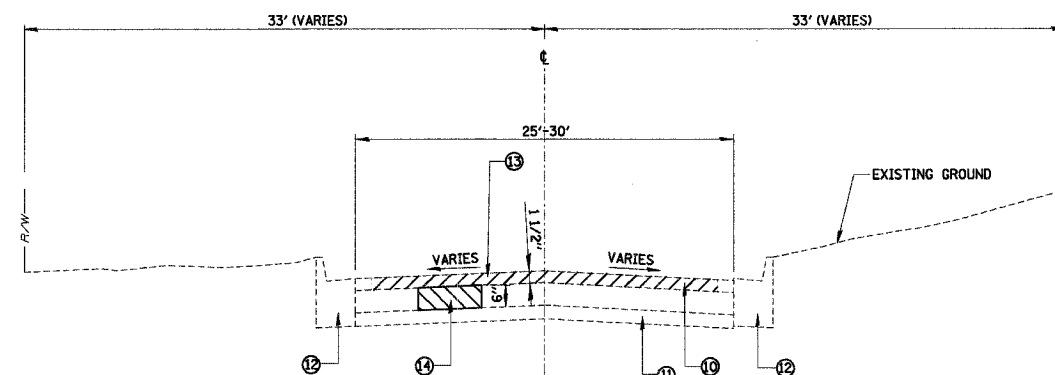
F.A.U. RTE.	SECTION	COUNTY	TOTAL SHEETS	SHEET NO.
2582	03-00084-00-BT	COOK	29	4
STA.	TO STA.			
FED. ROAD DIST. NO. 1	ILLINOIS	FED. AID PROJECT		

CONTRACT NO. 83831

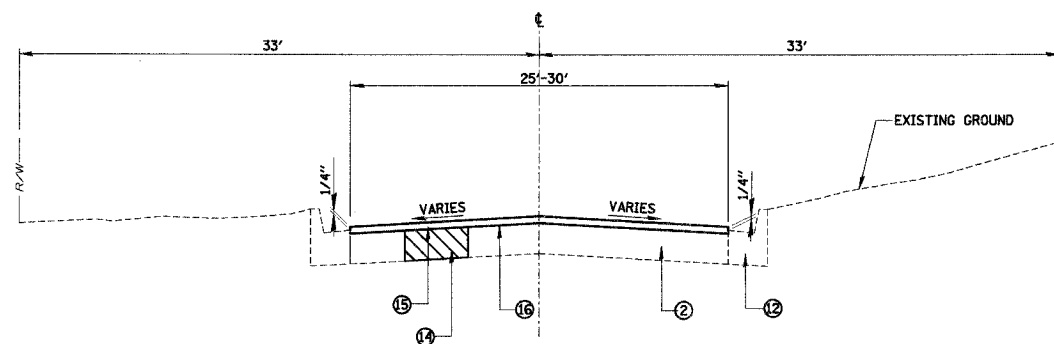
- LEGEND:
- 1 EXISTING COMBINATION CONCRETE CURB & GUTTER, TYPE B-6.24
  - 2 EXISTING GRADE
  - 3 BITUMINOUS CONCRETE SURFACE COURSE, SUPERPAVE, MIX C N50, 3"
  - 4 AGGREGATE BASE COURSE TYPE B - 8"
  - 5 TOPSOIL EXCAVATION AND PLACEMENT - 4"
  - 6 SODDING, SALT TOLERANT
  - 7 THERMOPLASTIC PAVEMENT MARKING- LINE 4" WHITE
  - 8 WOOD CHIPS, 4"
  - 9 EXISTING SIDEWALK
  - 10 EXISTING BITUMINOUS PAVEMENT, (±3" TO 12") SEE BORINGS
  - 11 EXISTING AGGREGATE BASE (±0-14")
  - 12 EXISTING CURB AND GUTTER
  - 13 BITUMINOUS SURFACE REMOVAL, 1 1/2"
  - 14 CLASS D PATCHES, SPECIAL, 6" SUPERPAVE (QC/QA)
  - 15 BITUMINOUS CONCRETE SURFACE COURSE, SUPERPAVE, MIX "C" N50 (QC/QA) - 1 1/2"
  - 16 BITUMINOUS MATERIAL (PRIME COAT) AND AGGREGATE (PRIME COAT)



PROPOSED TYPICAL SECTION  
 STA. 10+11.18 TO STA. 13+91.46  
 STA. 14+81.38 TO STA. 35+36.34



EXISTING TYPICAL SECTION  
 EMERSON AVENUE  
 STA. 35+36.34 TO STA. 60+58.68



PROPOSED TYPICAL SECTION  
 EMERSON AVENUE  
 STA. 35+36.34 TO STA. 60+58.68

BITUMINOUS MIXTURE REQUIREMENTS			
ITEM	AC-TYPE	VOIDS	RAP %
BITUMINOUS CONCRETE SURFACE COURSE, SUPERPAVE, MIX C, N50	PG 64-22	4%±50GYR.	15
CLASS D PATCHES, 6" SUPERPAVE	PG 64-22	4%±70GYR.	15

THE UNIT WEIGHT USED TO CALCULATE ALL BITUMINOUS SURFACE MIXTURE QUANTITIES IS 112 LBS/SY/IN.

REVISIONS	
NAME	DATE

ILLINOIS DEPARTMENT OF TRANSPORTATION  
 TYPICAL SECTIONS

SCALE: VERT. N.T.S.  
 HORIZ. N.T.S.  
 DATE 11/4/2005

DRAWN BY MYG  
 CHECKED BY LMF