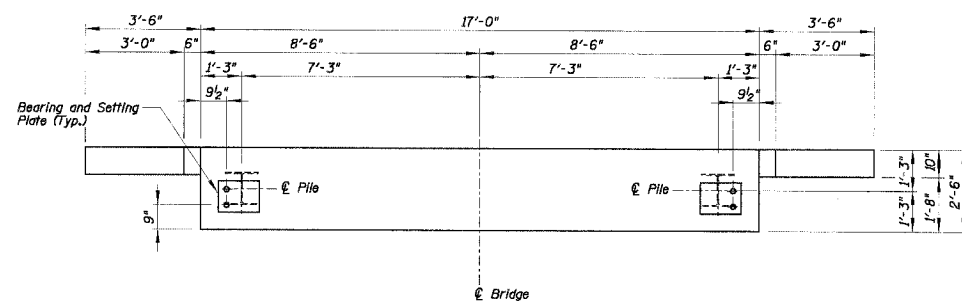


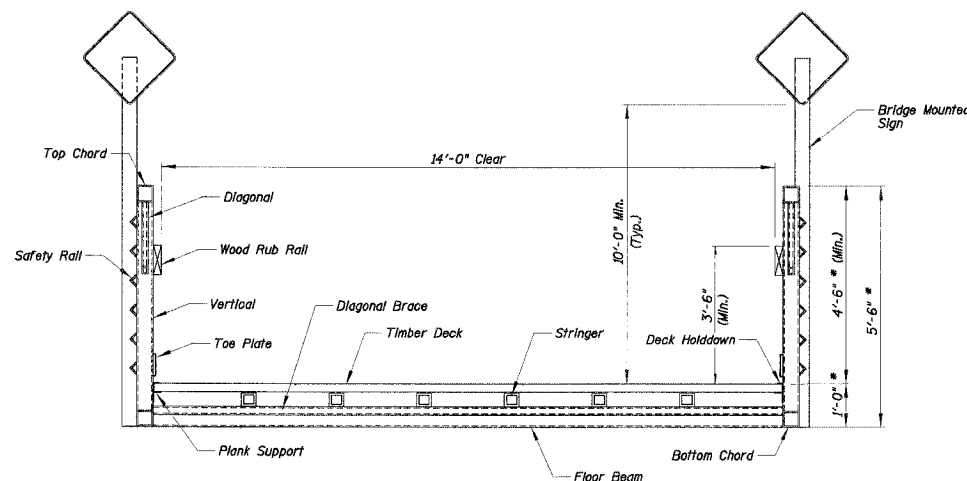
F.A.U. RTE.	SECTION	COUNTY	TOTAL SHEETS	SHEET NO.
2582	03-00084-00-BT	COOK	29	19
STA.		TO STA.		
FED. ROAD DIST. NO. 1		ILLINOIS FED. AID PROJECT		

CONTRACT NO. 83831



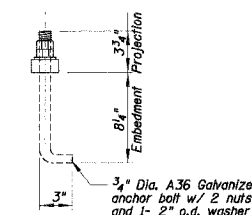
TYPICAL ABUTMENT PLAN

SCALE: 3/8" = 1'-0"
(South Abutment Shown, North Is Similar)
(Approach Slab Omitted For Clarity)



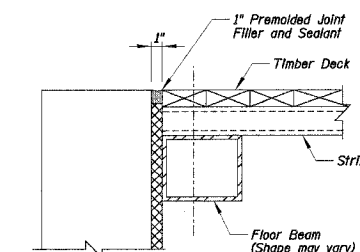
SECTION THRU PREFABRICATED BRIDGE SUPERSTRUCTURE

SCALE: 1/2" = 1'-0"



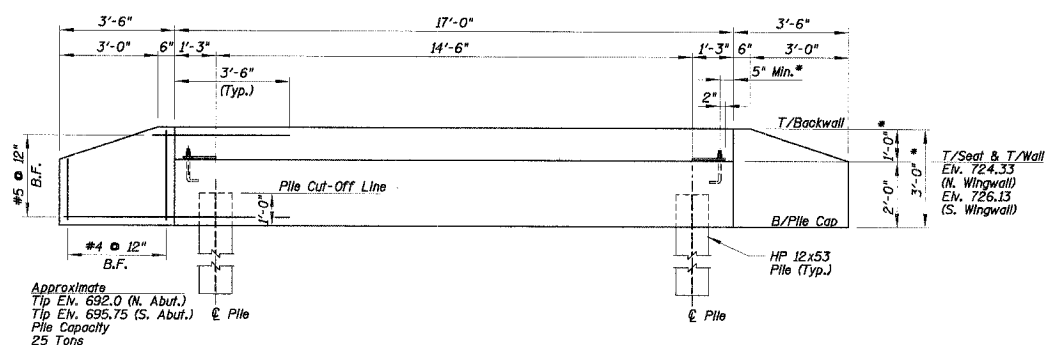
ANCHOR BOLT DETAIL

SCALE: 1 1/2" = 1'-0"



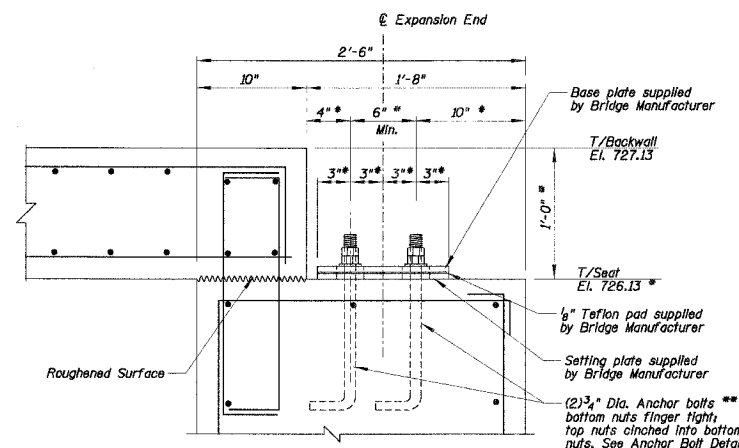
JOINT SEAL AT ABUTMENT

SCALE: 1 1/2" = 1'-0"



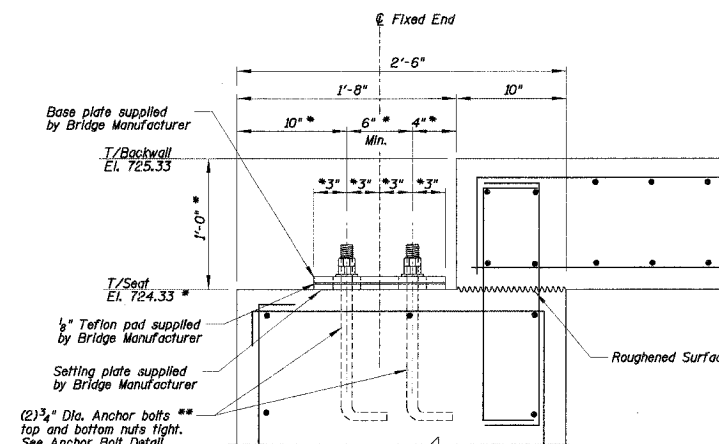
ABUTMENT ELEVATION

SCALE: 3/8" = 1'-0"



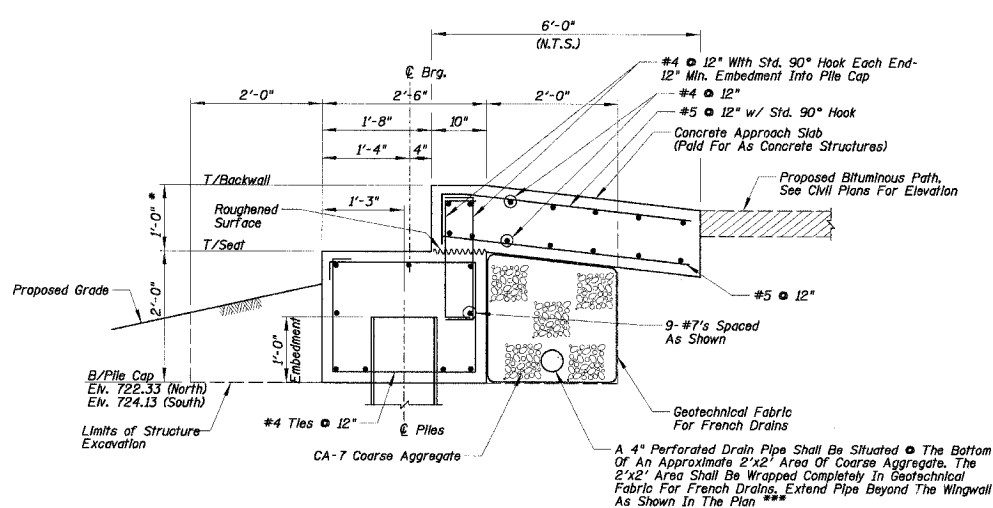
EXPANSION BEARING DETAIL AT SOUTH ABUTMENT

SCALE: 1 1/2" = 1'-0"
(Shown Perpendicular To Abutment)



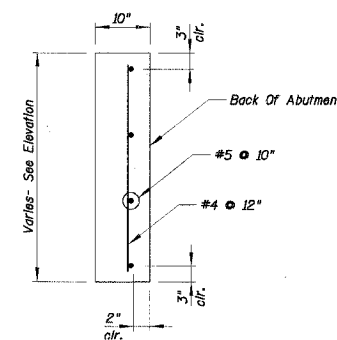
FIXED BEARING DETAIL AT NORTH ABUTMENT

SCALE: 1 1/2" = 1'-0"
(Shown Perpendicular To Abutment)



TYPICAL SECTION - ABUTMENT

SCALE: 3/4" = 1'-0"



TYPICAL SECTION - WINGWALL

SCALE: 3/4" = 1'-0"

NOTES:

- * Contractor shall coordinate this dimension with Bridge Manufacturer prior to construction.
- ** Contractor has the option of substituting anchor bolts with 4-3/4" HILTI HAS-EE AISI 304 SS Bolts embedded 6 5/8" into HIT HY 150 Injection adhesive. Bolts shall not be placed less than 5" from the edge of the structure or less than 6" apart. Contractor shall coordinate plate dimensions, bolt spacing and bolt quantity with Bridge Manufacturer prior to construction.
- *** Included in the cost of French Drains.

REVISIONS	
NAME	DATE

ILLINOIS DEPARTMENT OF TRANSPORTATION

PEDESTRIAN BRIDGE SECTIONS AND DETAILS

SCALE: VERT. HORIZ. DATE 11/1/2005

DRAWN BY PDR CHECKED BY WJS