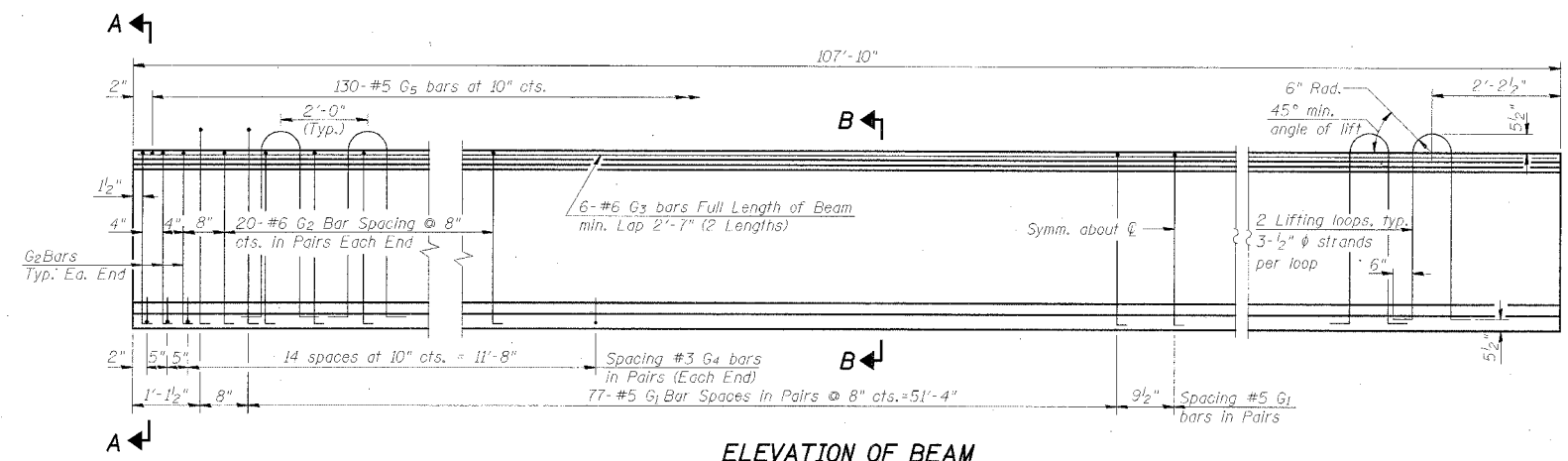
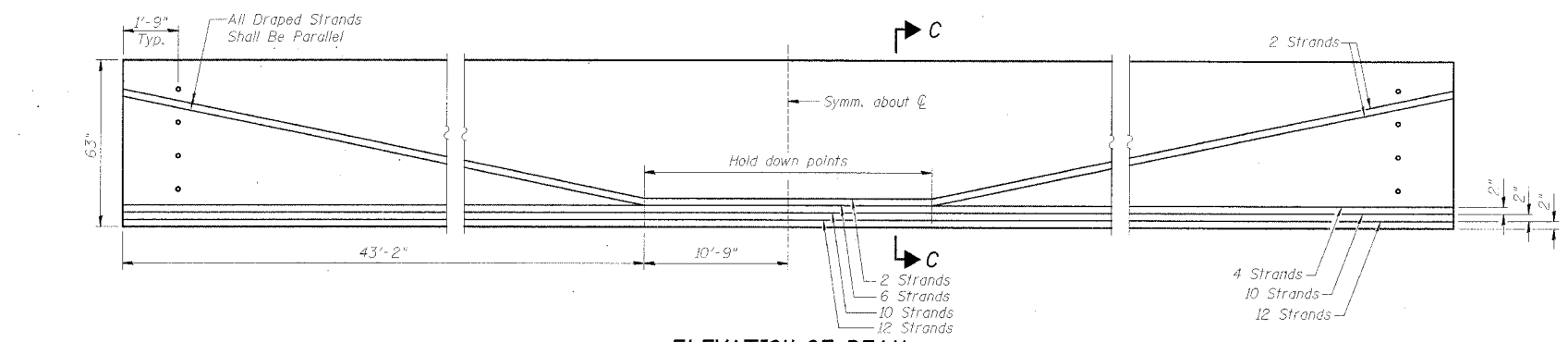


| | | | | |
|-----------------------|---------|----------|-------------------|-----------|
| ROUTE NO. | SECTION | COUNTY | TOTAL SHEETS | SHEET NO. |
| 01-00282-00-BR | | LEE | 51 | 21 |
| FED. ROAD DIST. NO. 1 | | ILLINOIS | FED. AID PROJECT: | |

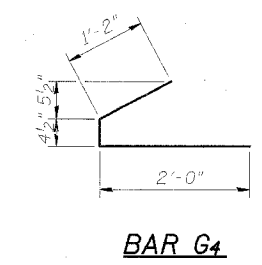
STRUCTURAL SHEET 7 OF 15



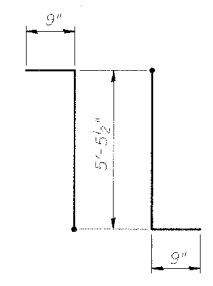
ELEVATION OF BEAM
(Showing Reinforcement & Dimensions)



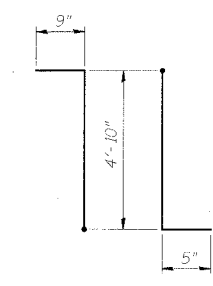
ELEVATION OF BEAM
(Showing Prestressing Steel)



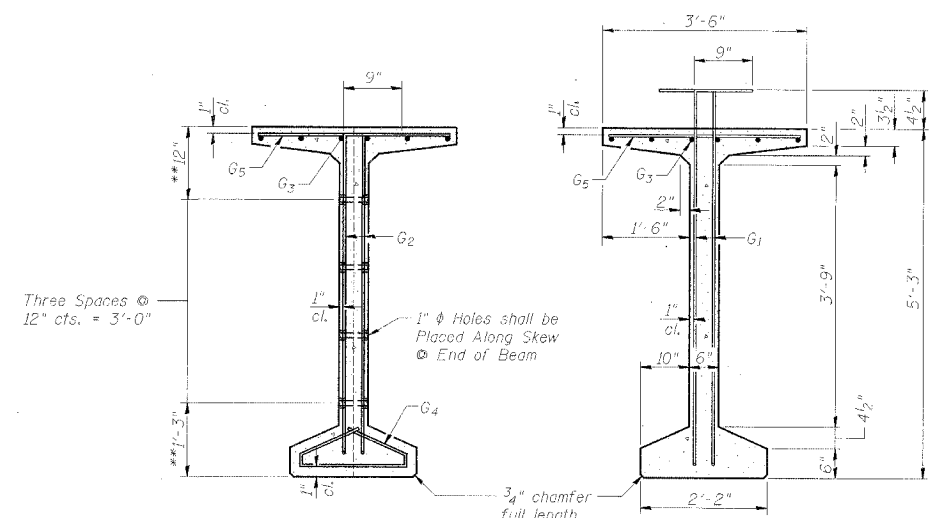
BAR G4



BAR G1

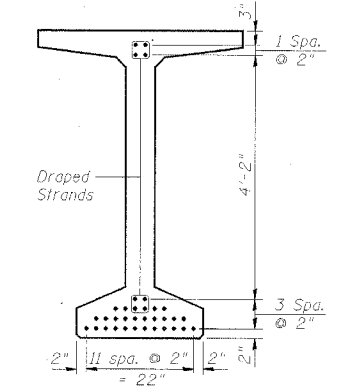


BAR G2



SECTION A-A

SECTION B-B



SECTION C-C

***BAR LIST**

| Bar | No. | Size | Length | Shape |
|-----|-----|------|------------|-------|
| G1 | 318 | #5 | 6'-11 1/2" | L |
| G2 | 96 | #6 | 6'-0" | L |
| G3 | 12 | #6 | 65'-1" | L |
| G4 | 68 | #3 | 3'-6 1/2" | L |
| G5 | 130 | #5 | 3'-4" | L |

*For one beam only.

BILL OF MATERIAL

| Item | Unit | Total |
|--|------|-------|
| Furnishing and Erecting Precast Prestressed Concrete Bulb T-Beams, 63" | Ft. | 647 |

NOTES

- Prestressing steel shall be uncoated high strength, low relaxation 7-wire strand, Grade 270.
- The nominal diameter shall be 1/2" and the nominal cross-sectional area shall be 0.153 sq. in.
- Non-prestressing steel shall conform to AASHTO designation M-31, M-42 or M-53 Grade 60.
- Lifting loops shall be 3 - 1/2" diameter 270 ksi strands, as shown.
- Required release strength, f'ci, shall be 5000 psi.
- Reinforcement bars designated (E) shall be epoxy coated.
- See Structural Sheet 8 of 15 for Embedded Plate at Expansion Bearing Location.

PRECAST PRESTRESSED CONCRETE BULB T-BEAM, 63" DETAILS
SECTION 01-00282-00-BR
ROCKYFORD ROAD over GREEN RIVER
STA. 20+00 (S.N. 052-3512)
LEE COUNTY
WHA # 1154D03