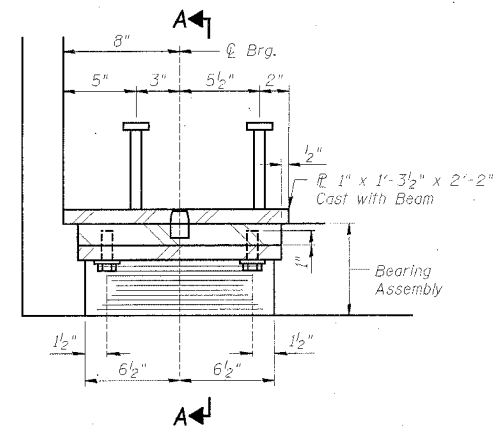
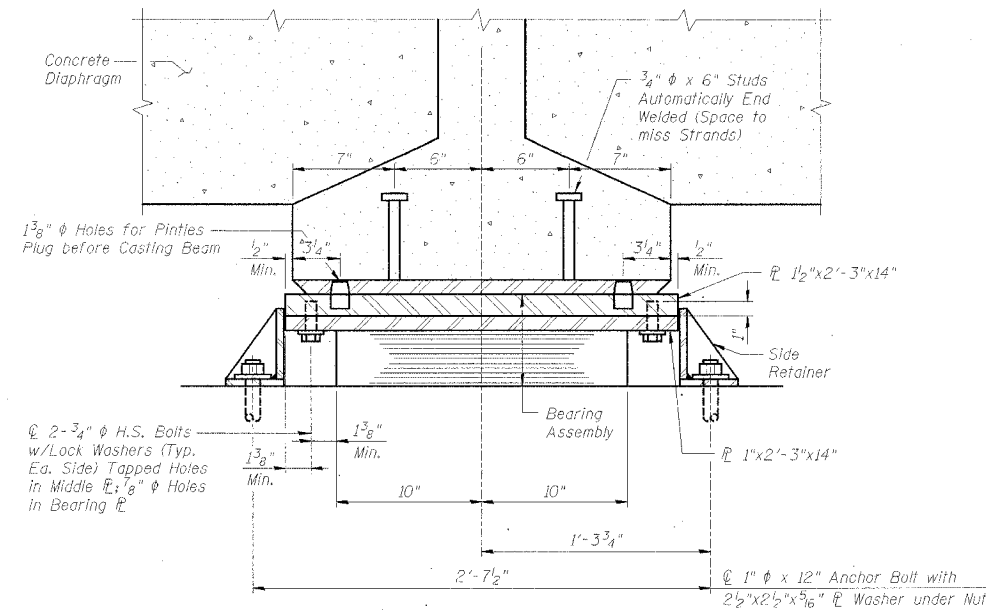


ROUTE NO.	SECTION	COUNTY	TOTAL SHEETS	SHEET NO.
01-00282-00-BR	LEE	51	22	
PROJECT NO. 1		SHEET PROJECT		
STRUCTURAL SHEET 8 OF 15				



ELEVATION AT ABUT.

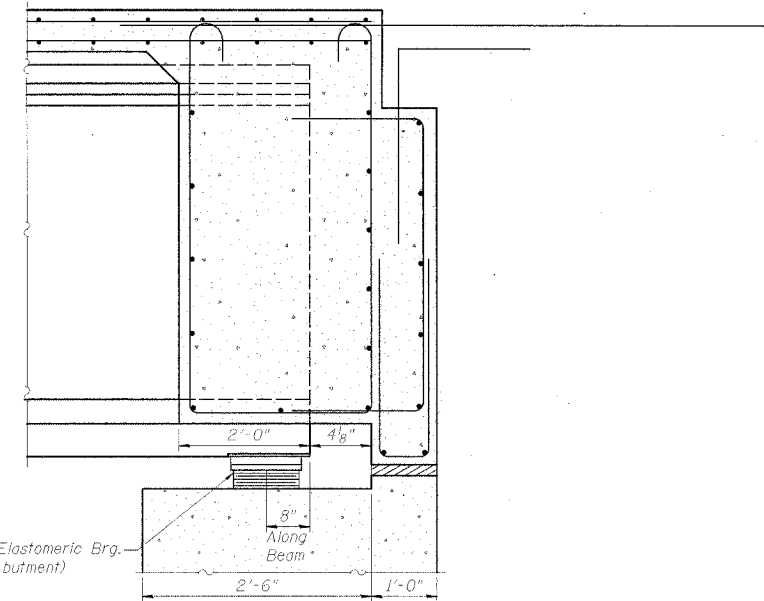


SECTION A-A

TYPE I ELASTOMERIC EXP. BRG.

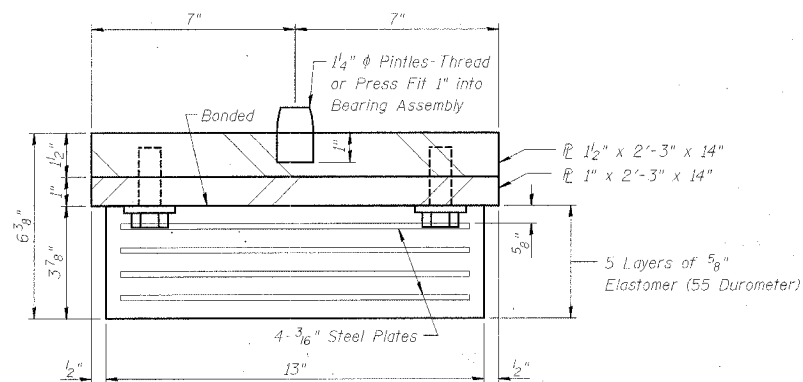
Notes: After Beams have been Erected Holes at Expansion Bearings shall be drilled and Anchor Bolts Grouted in Place.

See sheet 14 of 15 for Anchor Bolt installation.



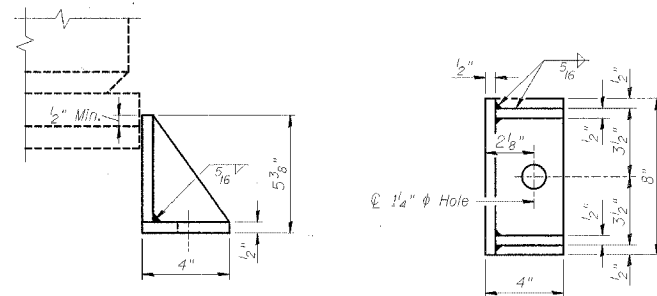
SECTION THRU S. ABUT.

(Dim. at Rt. L's except as noted)



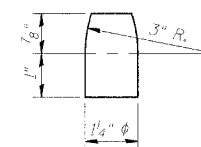
BEARING ASSEMBLY

Note: Shim plates shall not be placed under Bearing Assembly.



SIDE RETAINER

Equivalent rolled angle with stiffeners will be allowed in lieu of welded plates. Weight included with Structural Steel.



PINTLE

BILL OF MATERIAL

Item	Unit	Total
Elastomeric Bearing Assembly, Type I	Each	6

Note: Bearing assembly shall be installed prior to pouring slab & diaphragm.

TYPE I ELASTOMERIC BEARING DETAILS
SECTION 01-00282-00-BR
ROCKYFORD ROAD over GREEN RIVER
STA. 20+00 (S.N. 052-3512)
LEE COUNTY
WHA # 115-4003