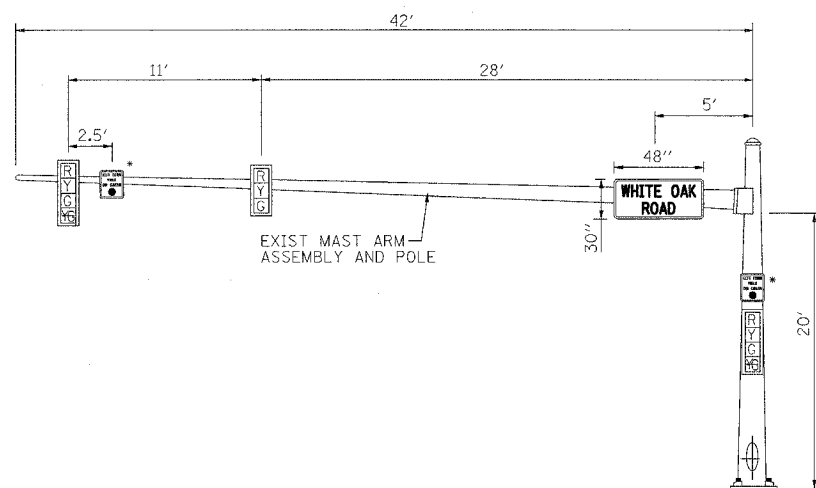
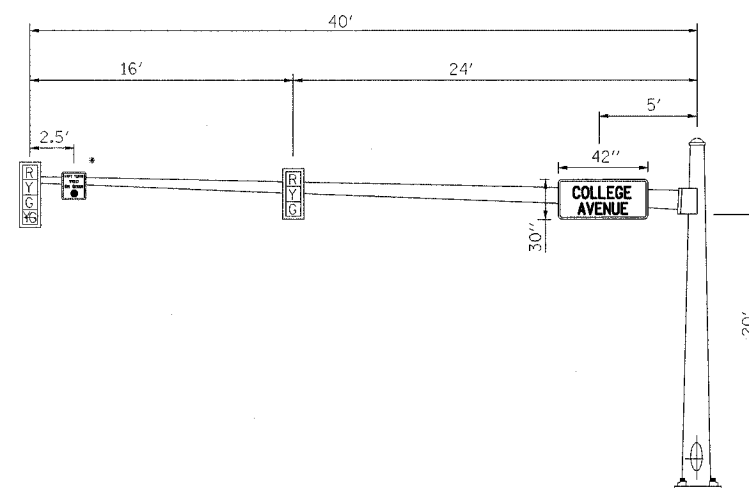


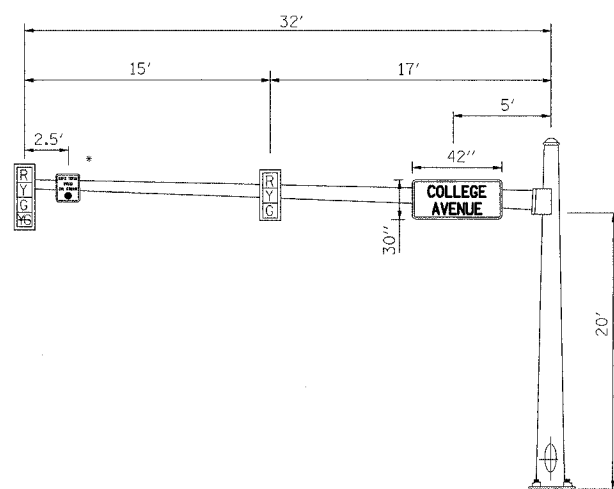
F.A.U. R.T.E.	SECTION	COUNTY	TOTAL SHEETS	SHEET NO.
*	**	McLEAN	34	24
STA.		TO STA.		
FED. ROAD DIST. NO.		ILLINOIS	FED. AID PROJECT	
* 6352 - COLLEGE AVENUE				
* 6385 - WHITE OAK ROAD (C.H. 70)				
** 03-00182-00-R5				



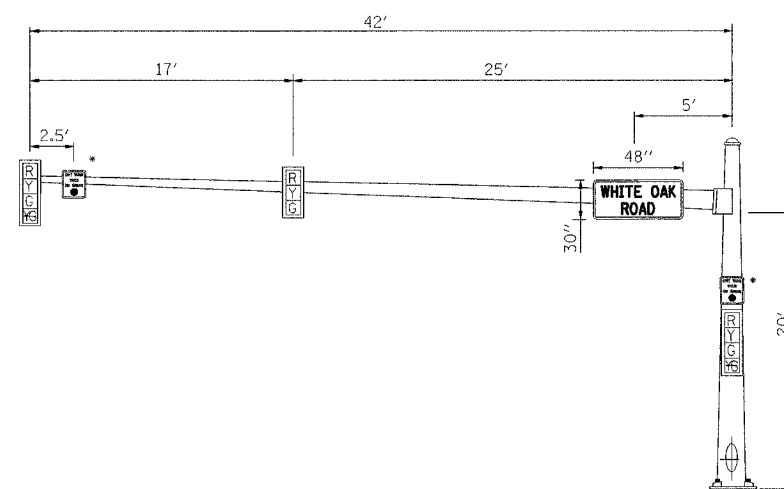
WESTBOUND TRAFFIC SIGNAL
NORTHWEST CORNER OF COLLEGE AVENUE AND WHITE OAK ROAD
EXISTING MAST ARM ASSEMBLY, POLE AND FOUNDATION



SOUTHBOUND TRAFFIC SIGNAL
SOUTHWEST CORNER OF COLLEGE AVENUE AND WHITE OAK ROAD
FOUNDATION DEPTH = 13 FEET



NORTHBOUND TRAFFIC SIGNAL
NORTHEAST CORNER OF COLLEGE AVENUE AND WHITE OAK ROAD
FOUNDATION DEPTH = 11 FEET



EASTBOUND TRAFFIC SIGNAL
SOUTHEAST CORNER OF COLLEGE AVENUE AND WHITE OAK ROAD
FOUNDATION DEPTH = 13 FEET

* SEE CABLE PLAN FOR
DETAIL OF THIS SIGN.

- NOTES:
1. A 72"x 30" STREET SIGN SHALL BE USED FOR CALCULATING MAST ARM LOADING IN LIEU OF THE ACTUAL SIZE SHOWN ON THE DIAGRAM.
 2. DIMENSIONS TO ALL MAST ARM MOUNTED SIGNAL HEADS ARE TO THE CENTER OF THE GREEN SECTION.

McLEAN CO SECTION 03-00182-00-RS
COLLEGE AVENUE & WHITE OAK ROAD WIDENING

MASTARM LOADING DETAILS

DRAWN BY J.OCHSNER	<p>2709 McGraw Drive Bloomington, Illinois 61704 309.502-6435 / fax 309.502-1571</p>	FILE NO. 24-7482
DATE 03/08/05		BOOK NO. 2704
CHECKED BY RGD		SHEET NO.

REVISED 12/08/05