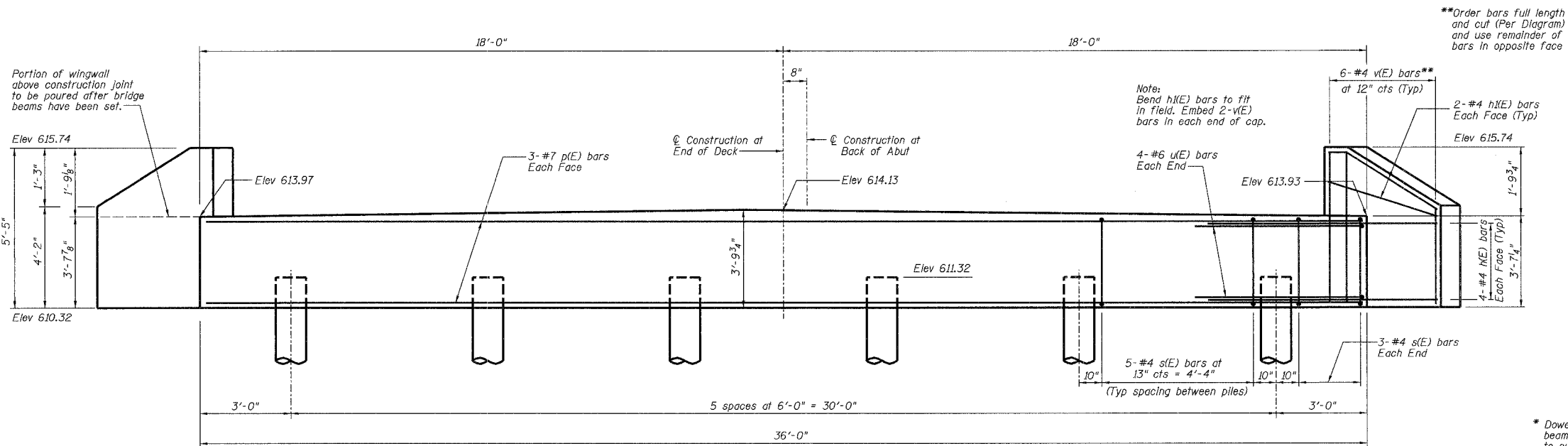


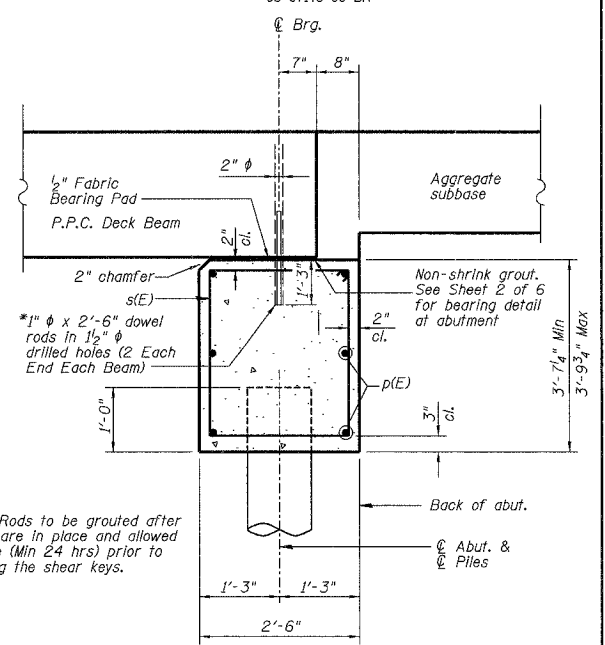
Sheet No 4
of 6 Sheets

ROUTE NO.	SECTION	COUNTY	TOTAL SHEETS	SHEET NO.
TR 27	*	MACON	16	8
FEDERAL DIST. NO.		K.M.M.S.	PROJECT	

*03-07146-00-BR



ELEVATION

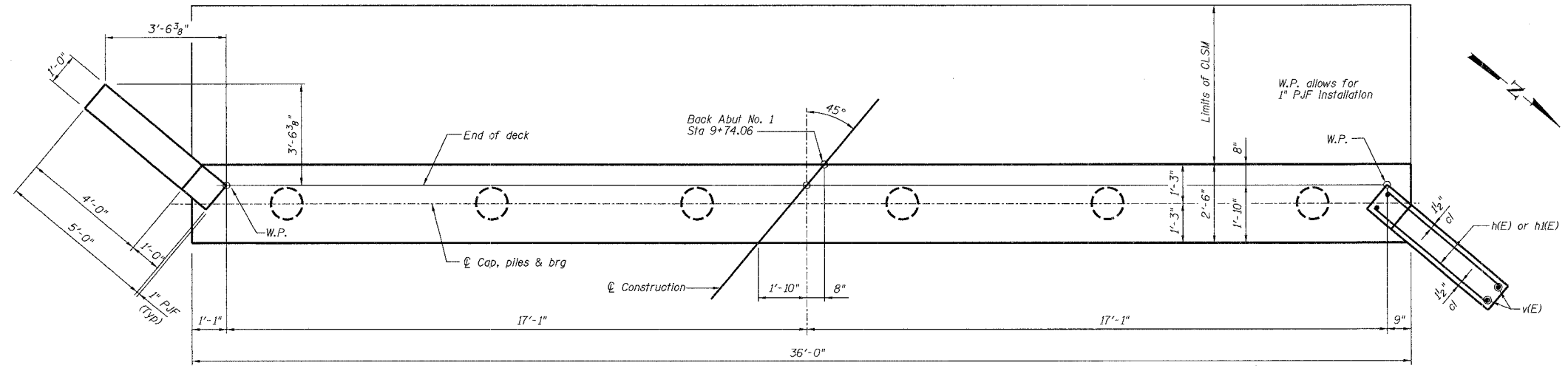


SECTION THRU ABUTMENT
(Dimensions at Rt L's)

BILL OF MATERIAL

Bar	No.	Size	Length	Shape
h(E)	16	#4	4'-9"	—
h(E)	8	#4	5'-2"	—
p(E)	6	#7	35'-8"	—
s(E)	31	#4	11'-3"	□
u(E)	8	#6	13'-1"	—
v(E)	12	#4	8'-8"	—
Structure Excavation		Cu Yd	69	
Concrete Structures		Cu Yd	13.5	
Reinforcement Bars (Epoxy Coated)		Pound	980	
Furnishing Concrete Piles		Feet	318	
Driving Concrete Piles		Feet	318	
Controlled Low Strength Material		Cu Yd	26.3	

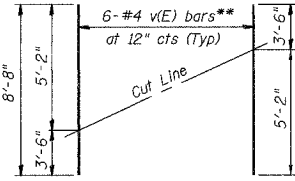
Reinforcement bars designated (E) shall be epoxy coated.



PLAN

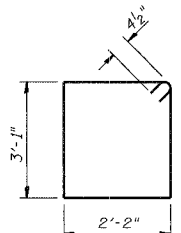
PILE DATA:

Type: 12" concrete
Capacity: 30 Ton
Est. Length: 53'
No. Req'd: 6

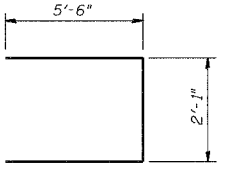


FIELD CUTTING DIAGRAM

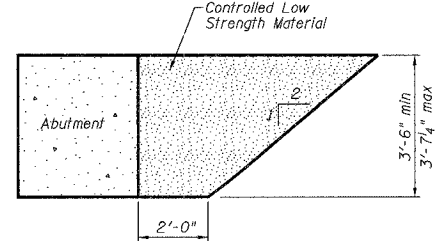
Order v(E) full length. Cut as shown and use remainder of bars in opposite face.



BARS s(E)



BAR u(E)



CONTROLLED LOW STRENGTH MATERIAL LIMITS

REVISIONS		DRAWN BY DATE	
No.	DATE	INITIALS	
1			R King 1/05
2			CWC 1/05
3			375
4			4900
5			
6			
7			
8			
9			
10			

ABUTMENT NO. 1 DETAILS			
TR 27 (HEMAN ROAD) OVER DRAINAGE DITCH		SEC 03-07146-00-BR	
MACON		SN 058-3372	
HOMER L. CHASTAIN & ASSOCIATES, LLP		CONSULTING ENGINEERS	
184-001397		PROJECT No. 4900	
		SHEET No. 8	