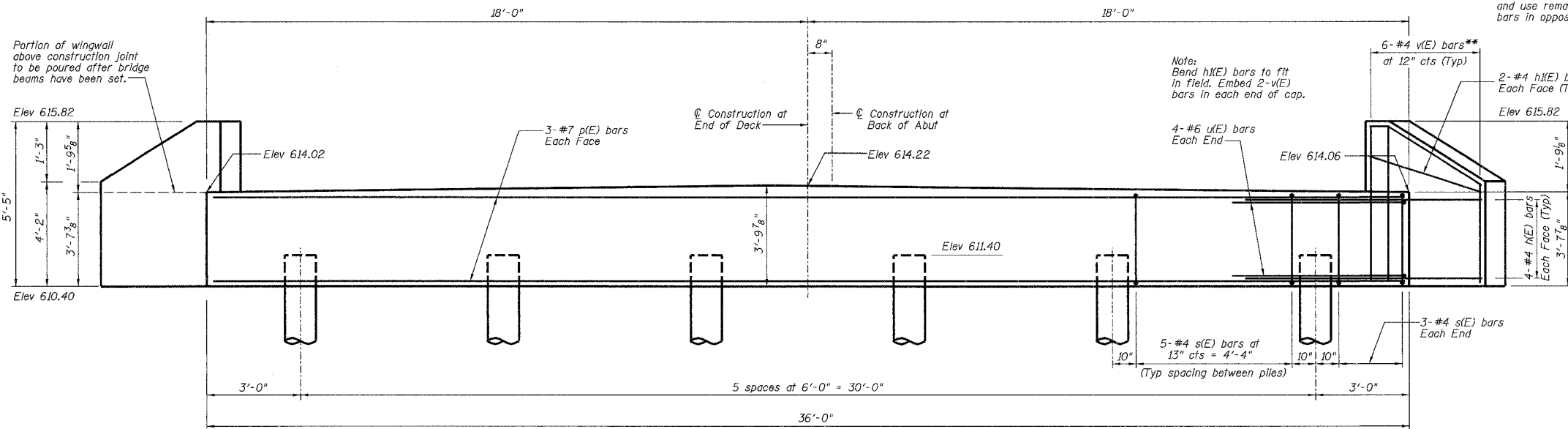


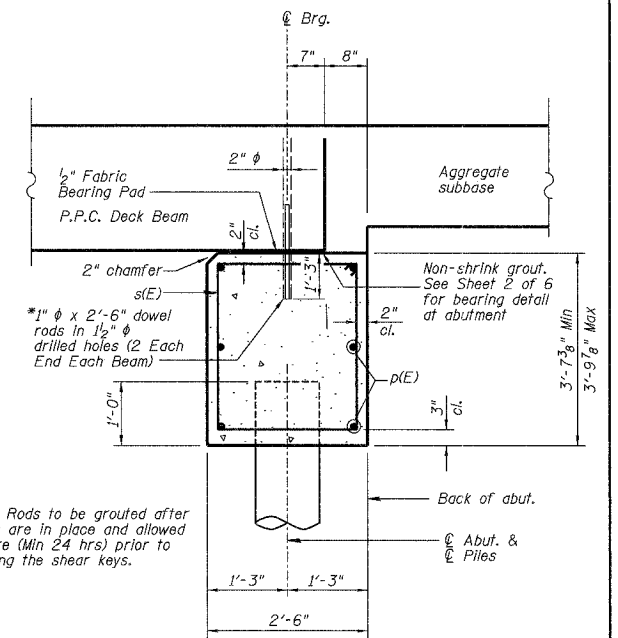
| ROUTE NO. | SECTION | COUNTY | TOTAL SHEETS | SHEET NO. |
|-------------------|---------|---------|--------------|-----------|
| TR 27 | * | MACON | 16 | 9 |
| FEDERAL DIST. NO. | LINE | PROJECT | | |
| 03-07146-00-BR | | | | |

Sheet No 5 of 6 Sheets

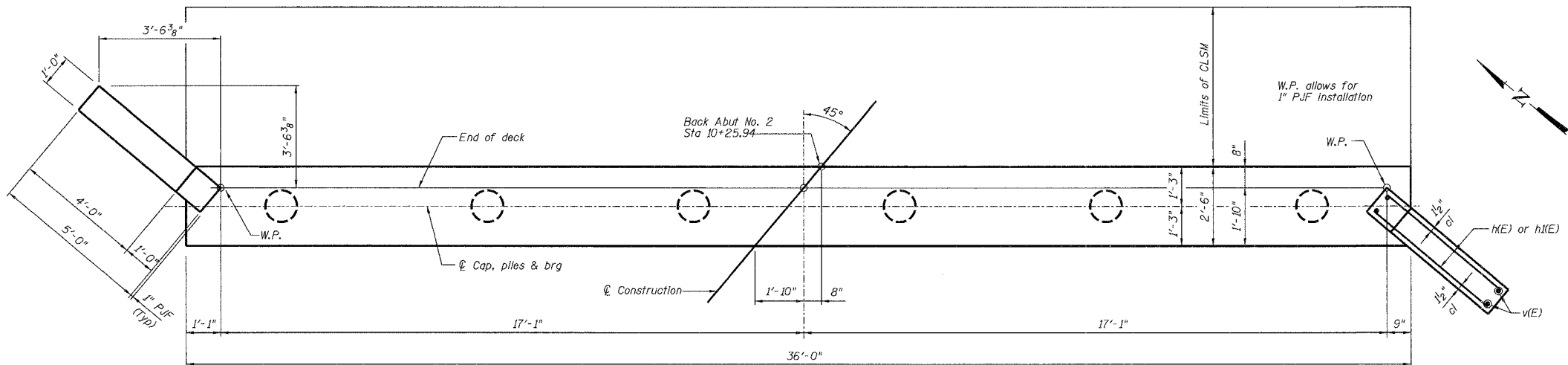
**Order bars full length and cut (Per Diagram) and use remainder of bars in opposite face



ELEVATION



SECTION THRU ABUTMENT
(Dimensions at Rt L's)



PLAN

*Dowel Rods to be grouted after beams are in place and allowed to cure (Min 24 hrs) prior to grouting the shear keys.

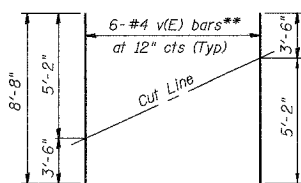
BILL OF MATERIAL

| Bar | No. | Size | Length | Shape |
|-----------------------------------|-----|-------|--------|-------|
| h(E) | 16 | #4 | 4'-9" | — |
| h(E) | 8 | #4 | 5'-2" | — |
| p(E) | 6 | #7 | 35'-8" | — |
| s(E) | 31 | #4 | 11'-3" | □ |
| u(E) | 8 | #6 | 13'-1" | — |
| v(E) | 12 | #4 | 8'-8" | — |
| Structure Excavation | | Cu Yd | 69 | |
| Concrete Structures | | Cu Yd | 13.5 | |
| Reinforcement Bars (Epoxy Coated) | | Pound | 980 | |
| Furnishing Concrete Piles | | Feet | 290 | |
| Driving Concrete Piles | | Feet | 290 | |
| Test Pile Concrete | | Each | 1 | |
| Controlled Low Strength Material | | Cu Yd | 26.3 | |

Reinforcement bars designated (E) shall be epoxy coated.

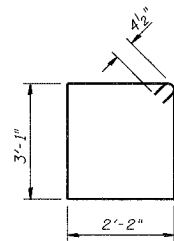
PILE DATA:

Type: 12" concrete
Capacity: 30 Ton
Est. Length: 58'
No. Req'd: 5 plus 1 test pile

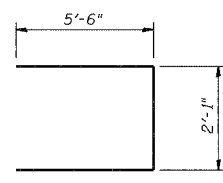


FIELD CUTTING DIAGRAM

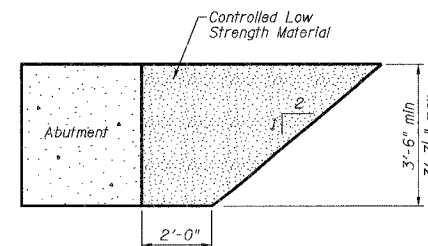
Order v(E) full length. Cut as shown and use remainder of bars in opposite face.



BARS s(E)



BAR u(E)



CONTROLLED LOW STRENGTH MATERIAL LIMITS

| REVISIONS | | ABUTMENT NO. 2 DETAILS | | DRAWN BY DATE | |
|-----------|------|------------------------|--|--------------------|------------------|
| NO. | DATE | INITIALS | TR 27 (HEMAN ROAD) OVER DRAINAGE DITCH | R King | 1/05 |
| 1 | | | | | |
| 2 | | | | | |
| 3 | | | TR 27 (HEMAN ROAD) | SEC 03-07146-00-BR | CWC 1/05 |
| 4 | | | MACON | SN 058-3372 | BOOK NUMBER 375 |
| 5 | | | | | PROJECT NO. 4900 |
| 6 | | | | | SHEET NO. 9 |
| 7 | | | | | |
| 8 | | | | | |
| 9 | | | | | |
| 10 | | | | | |