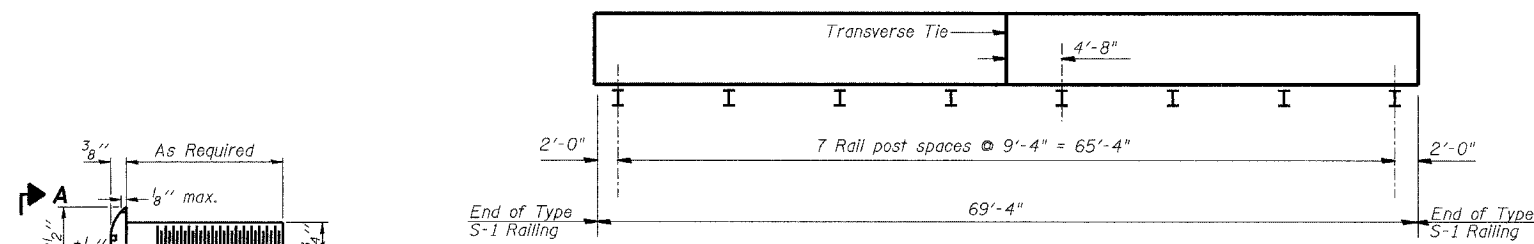
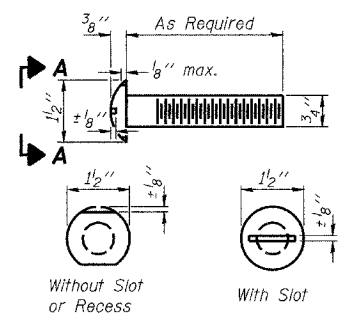


ROUTE NO. F.A.S. 555 C.H. 19	SECTION 03-00181-00-BR	COUNTY MACON	TOTAL SHEETS 13	SHEET NO. 12
FED. ROAD DIST. NO.		ILLINOIS PROJECT: BRS 555(205)		

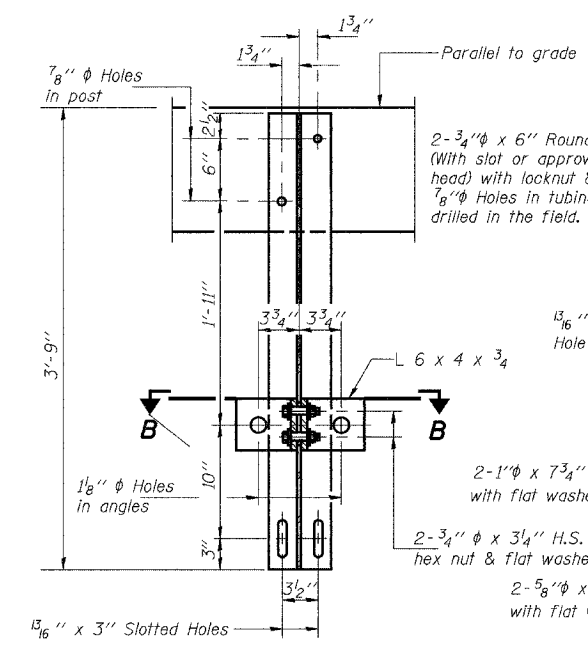
CONTRACT NO. 91342



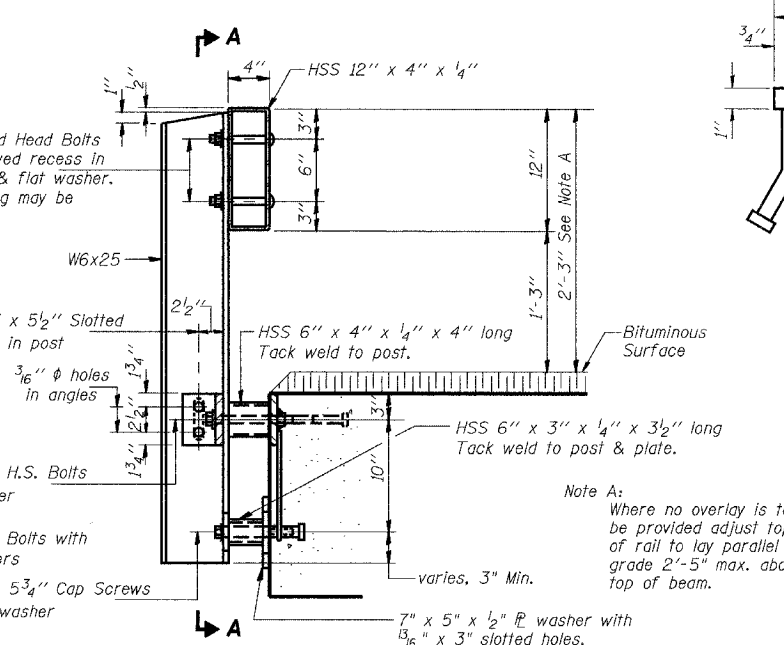
PLAN VIEW - EXTERIOR BEAM
(Showing Rail Post Spacing)



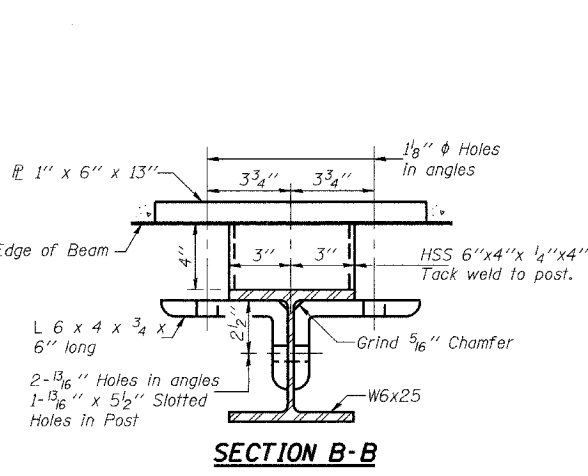
VIEW A-A
ROUND HEAD BOLT



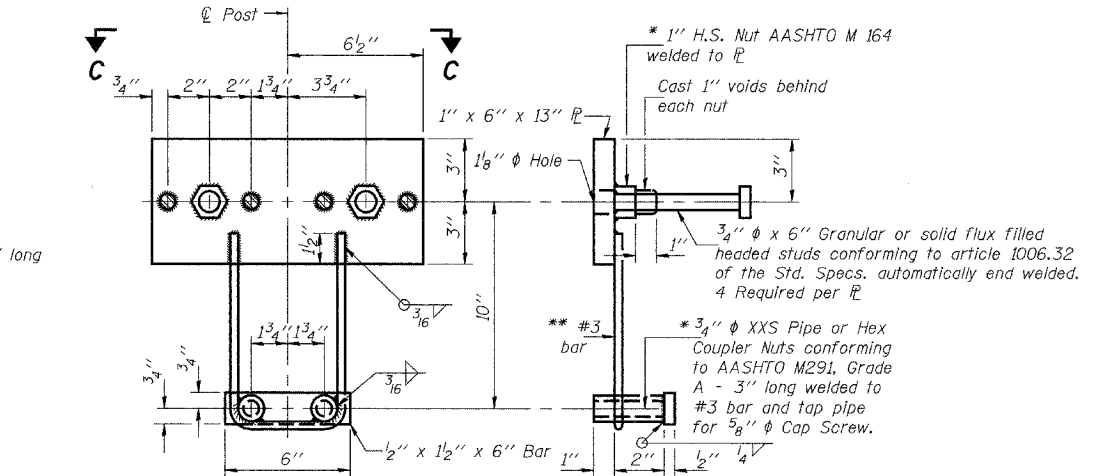
SECTION A-A



SECTION AT RAIL POST

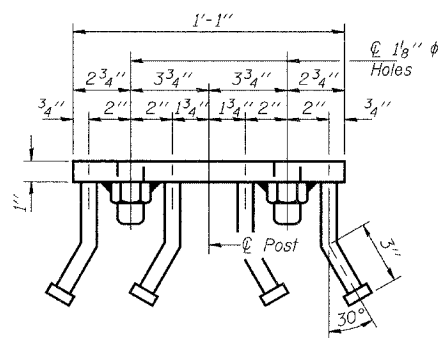


SECTION B-B

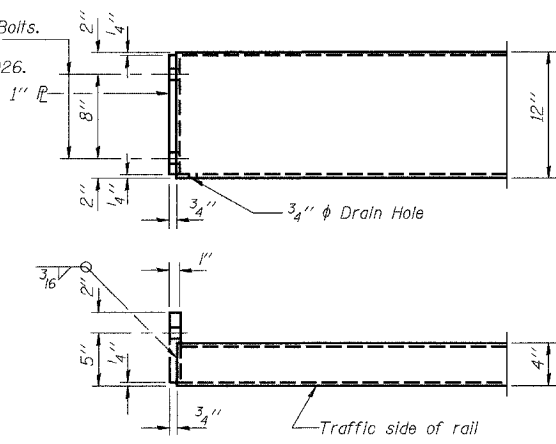


ANCHOR DEVICE

1/8" ϕ Holes for 1" ϕ x 4" Round Head Bolts. Provide 2 flat washers & locknuts for guard rail connection shown on Std. 631026.

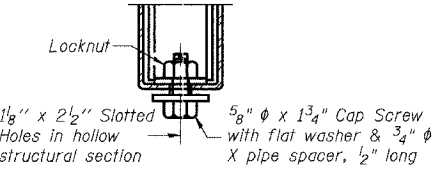


VIEW C-C



END OF RAIL DETAILS

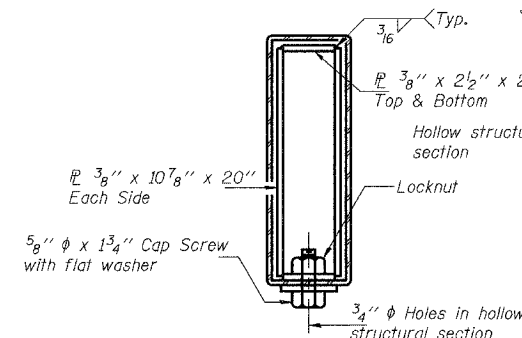
** Whenever the lower insert assemblies interfere with strand locations, the #3 bars shall be cut and adjusted in order to allow raising or lowering of the lower inserts. Maximum adjustment not to exceed 1/2".



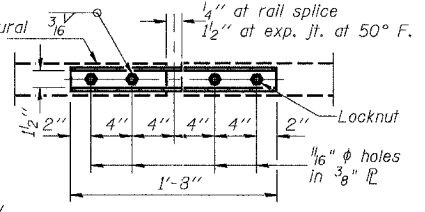
RAIL SPLICE CONNECTION AT EXPANSION JT.

BILL OF MATERIAL

Item	Unit	Quantity
Steel Railing Type S-1	Foot	139



SECTIONS AT RAIL SPLICE



PLAN-BOTT. SPLICE & TYPICAL

TYPE S-1 STEEL RAILING

STEEL RAILING

Date	Designed MJP	C.H. 19 OVER WILLOW BRANCH SECTION 03-00181-00-BR MACON COUNTY STA. 15+62.59 PROP. STR. NO. 058-3368	Sheet No.
Revisions	Drawn MJP		3
	Checked KWB		of 4
	Approved KWB		URS Job No. 36431468
Prepared by:	URS 3040 North University Avenue Decatur, IL 62526		