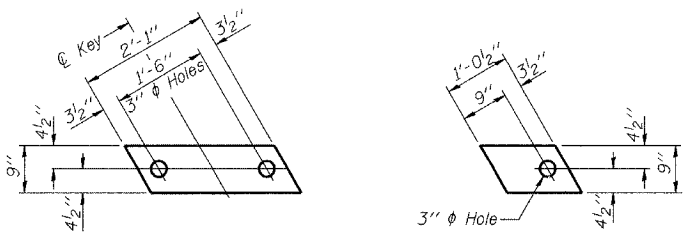
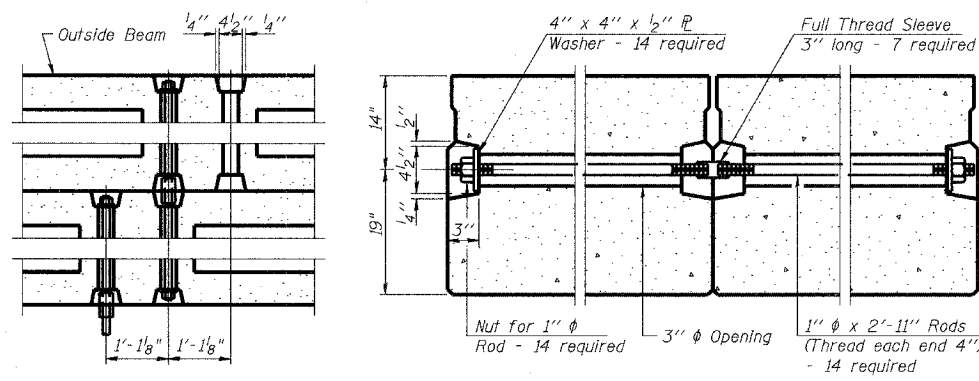


CONTRACT NO. 91344

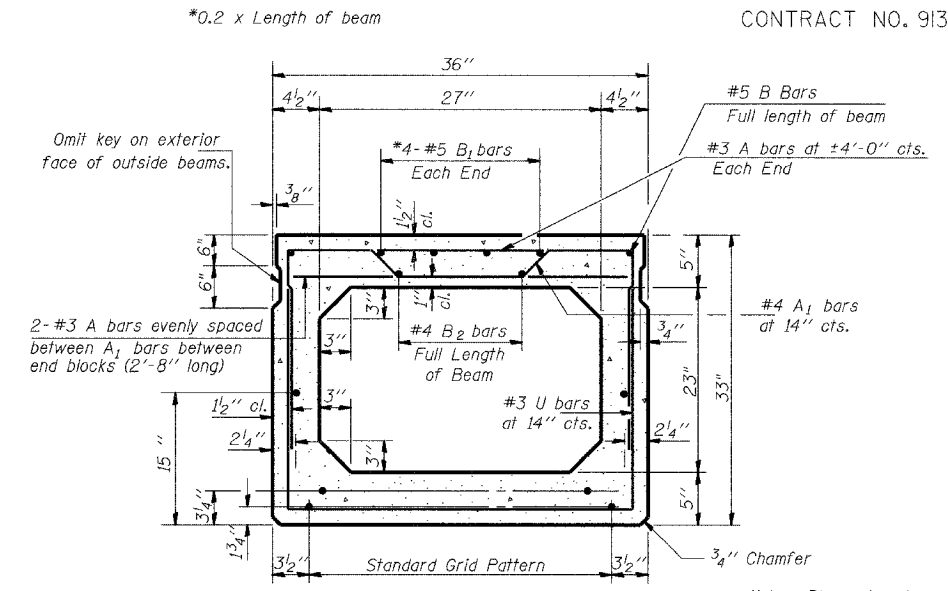


FABRIC BEARING PAD
(Interior) **FABRIC BEARING PAD**
(Exterior)

FIXED



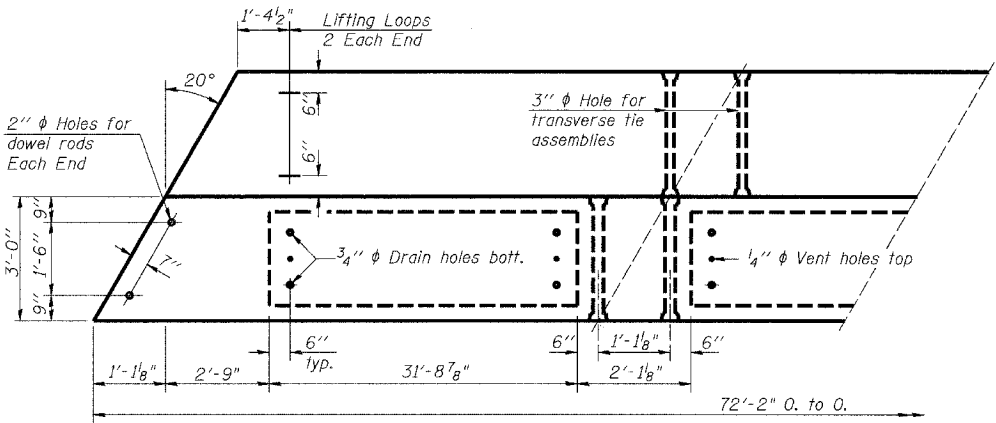
TYPICAL TRANSVERSE TIE ASSEMBLY



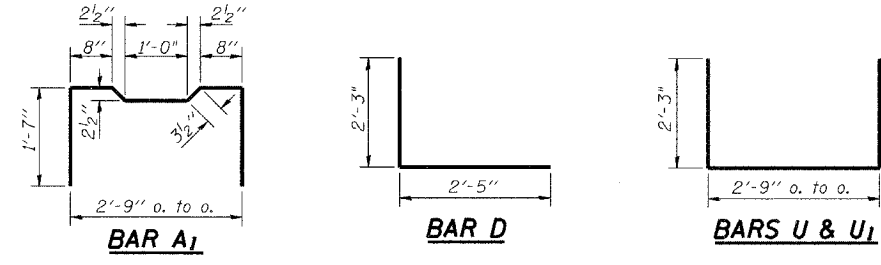
TYPICAL SECTION

18 - 1/2" Strands Each Strand Stressed to 30,900 Lbs.
10 - Strands 1 3/4" up, 6 - Strands 3/4" up,
and 2 - Strands 15" up.

Note: Place strands symmetrically about center of beam.



PLAN

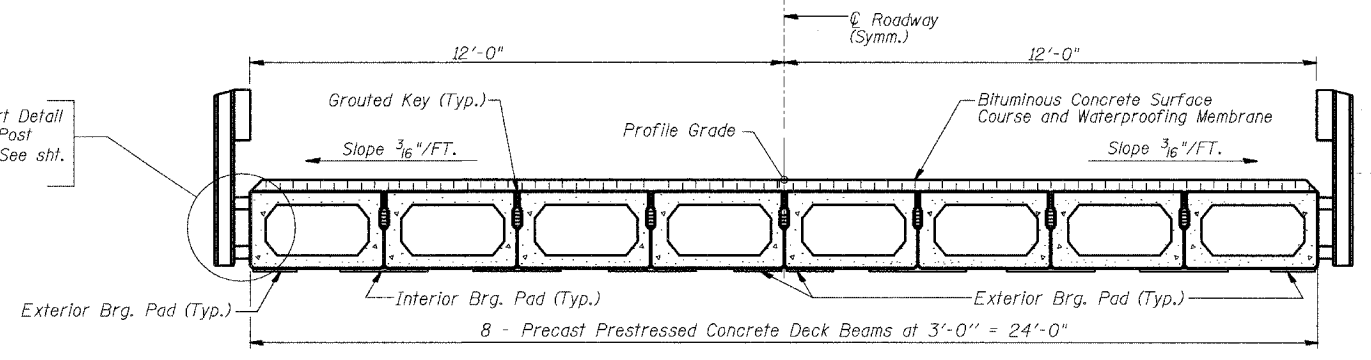


BAR A1

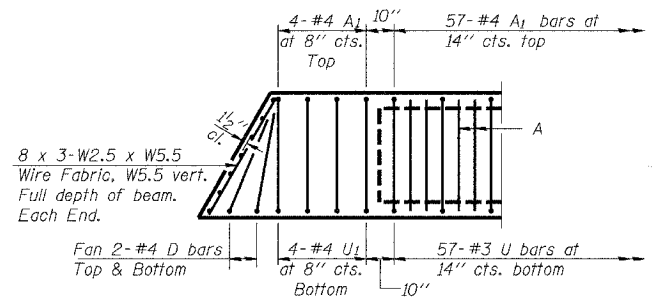
BAR D

BARS U & U1

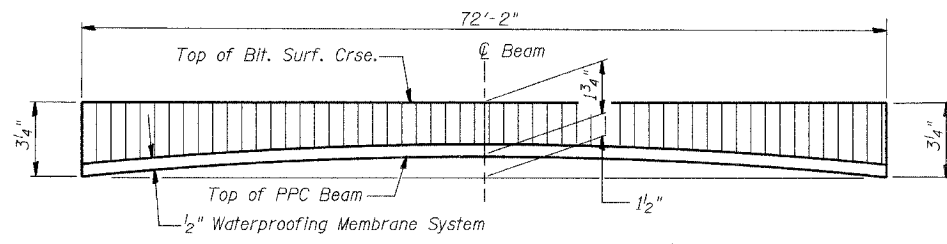
For Insert Detail and Rail Post Spacing, See sht. 4 of 5.



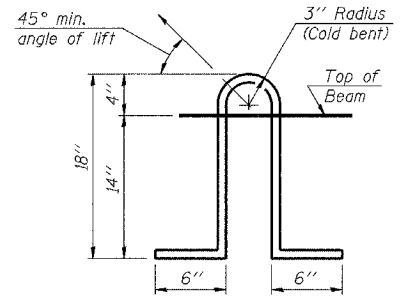
CROSS SECTION



END PLAN



ANTICIPATED CAMBER DIAGRAM



LIFTING LOOP DETAIL

NOTES

Prestressing steel shall be uncoated high strength, low relaxation 7-wire strand, Grade 270. The nominal diameter shall be 1/2" and the nominal cross-sectional area shall be 0.153 sq. in. Lifting loops shall be 3 - 1/2" phi-270 ksi strands, as shown. The 1" rods in the transverse tie assembly shall be tightened to a snug fit and the threads set. Pockets that receive transverse tie bar on outside shall be filled with grout after transverse tie assembly is in place. Non prestressing steel shall conform to AASHTO M-31 or M-322 Grade 60. The bearing seat surfaces shall be adjusted by shimming to assure firm and even bearing. Two 1/8" fabric adjusting shims of the dimensions of the Exterior Bearing Pad shall be provided for each bearing. Keyway surfaces shall be cleaned to remove form oil or other bond breaking material prior to shipment of the beams. Cleaning shall be done by sandblasting the keyway areas between top of the beam and the bottom edge of the key. Corrosion Inhibitor, as covered in the Special Provisions, shall be used in the concrete for precast prestressed concrete deck beams. Required Release Strength, f'ci, shall be 4,000 p.s.i.

BILL OF MATERIAL

Bar	No.	Size	Length	Shape
Precast Prestressed Conc. Deck Bms.		Sq. Ft.	1732	

SUPERSTRUCTURE

Date	Designed MJP	C.H. 54 OVER DRAINAGE DITCH SECTION 05-00197-00-BR MACON COUNTY STA. 15+61.42 PROP. STR. NO. 058-3379	Sheet No.
Revisions	Drawn BKN		2
	Checked KWB		
	Approved KWB		
Prepared by: URS	3040 North University Avenue Decatur, IL 62526		
			URS Job No. 36431470