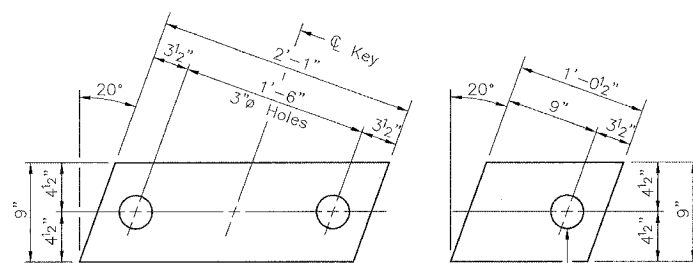


RTE.	SECTION	COUNTY	TOTAL SHEETS	SHEET NO.
T.R. 112	*	SHELBY	9	5
PROJECT				

\* 02-19114-00-BR



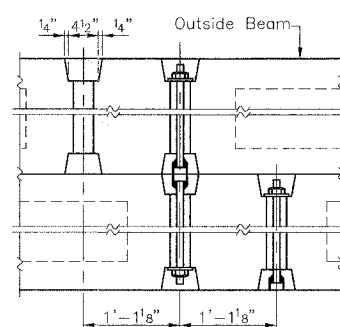
**FABRIC BEARING PAD**

Interior W<sub>o</sub>  
(12 Required)

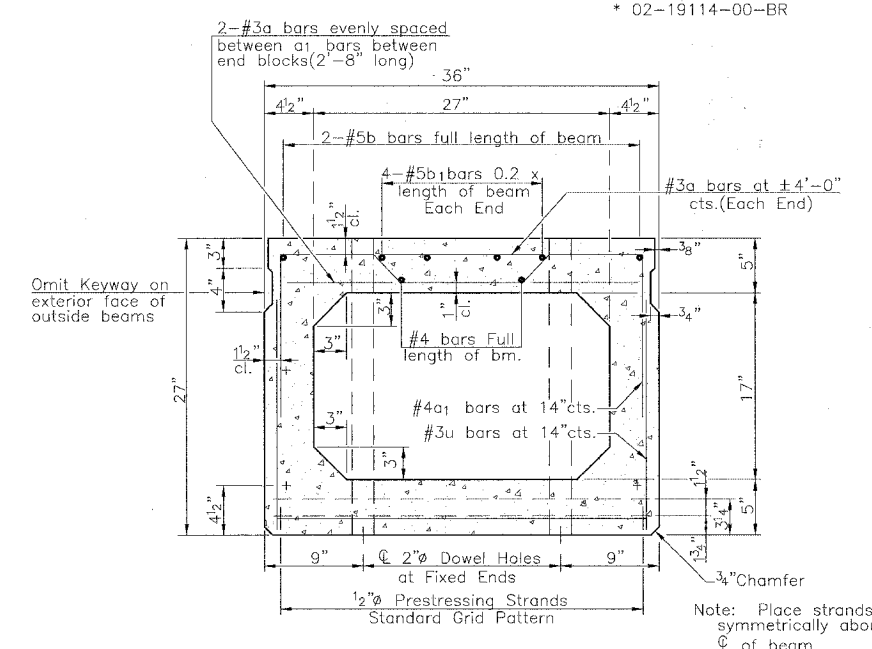
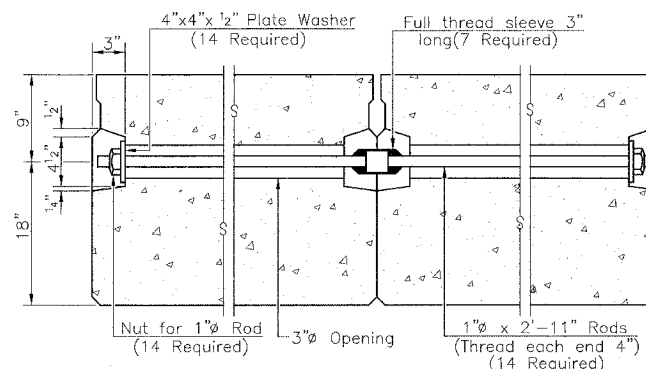
**FIXED BEARINGS**

**FABRIC BEARING PAD**

Exterior W  
(8 Required)

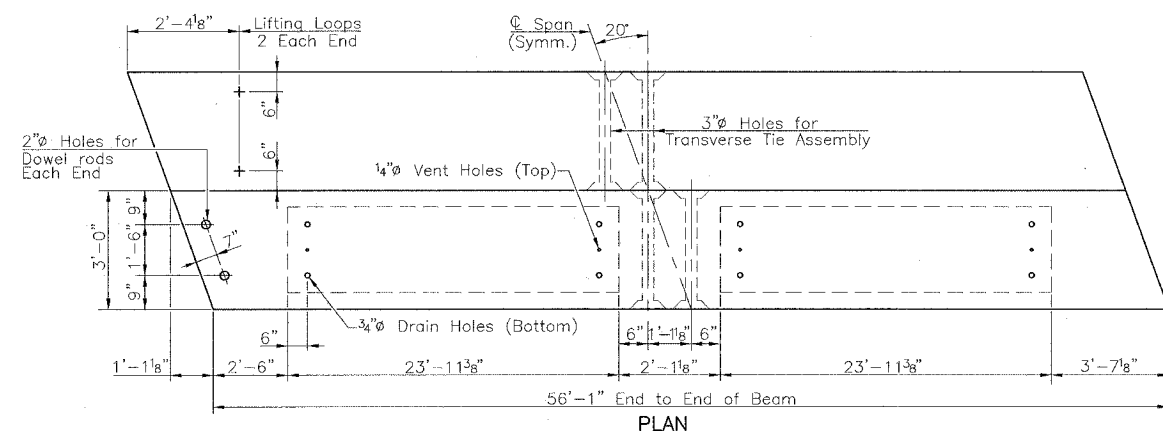


**TYPICAL TRANSVERSE TIE ASSEMBLY**

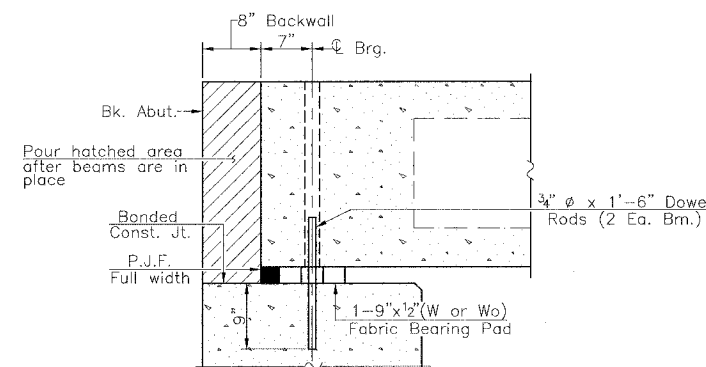


**TYPICAL SECTION**

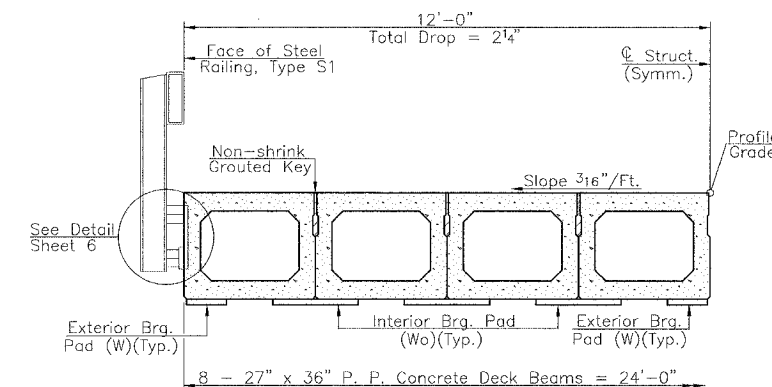
14-1/2" Strands, Each Strand Stressed to 30,900 Lbs.  
6 Strands - 1 3/4" up, 6 Strands - 3 1/4" up, 2 Strands - 4 1/2" up



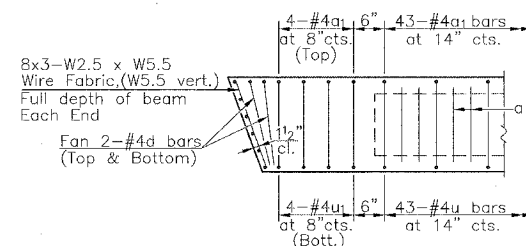
**PLAN**



**SECTION THRU ABUTMENT**  
(At Right Angles)



**HALF CROSS SECTION**



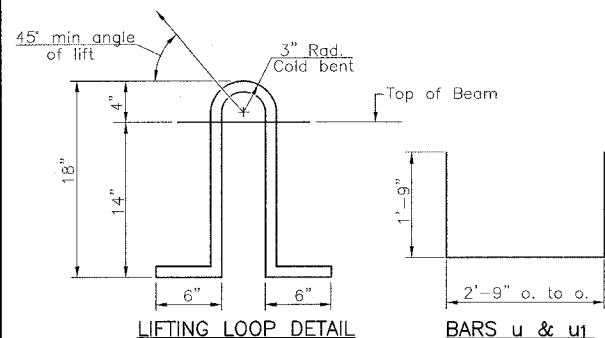
**END PLAN**

**NOTES**

- Prestressing steel shall be uncoated high strength, low-relaxation 7-wire strand, Grade 270.
- The nominal diameter shall be 1/2" and the nominal cross-sectional area shall be 0.153 sq. in.
- Lifting loops shall be 2-1/2" diameter 270 ksi strands, as shown.
- Non-Prestressing Steel shall conform to AASHTO M-31, M-42 or M-53, Grade 60.
- The bearing seat surfaces shall be adjusted by shimming to assure firm and even bearing. Two 1/8" fabric adjusting shims of the dimensions of the Exterior Bearing Pad shall be provided for each bearing.
- Keyway surfaces shall be cleaned to remove form oil or other bond breaking material prior to shipment of the beams. Cleaning shall be done by sandblasting the keyway areas between top of the beams and the bottom edge of the key.
- Required Release Strength, f'ci, shall be 4000 p.s.i.
- The 1" rods in the transverse tie assembly shall be tightened to a snug fit and the threads set. Pockets that receive transverse tie bar on outside shall be filled with grout after Transverse Tie Assembly is in place.
- A Corrosion Inhibitor, as covered in the Special Provisions, shall be used in the concrete for Precast Prestressed Concrete Deck Beams.
- Rail Post Anchor Devices shall be cast into exterior face of outside beams as specified on Sheet No. 6.

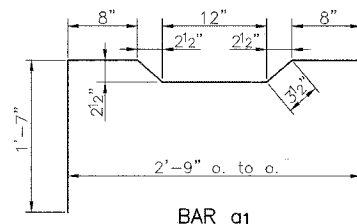
**BILL OF MATERIAL**

BAR	NO.	SIZE	LENGTH	SHAPE
Precast Prestressed Concrete Deck Beams (27" Depth)			Sq. Ft.	1346

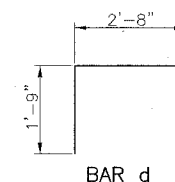


**LIFTING LOOP DETAIL**

**BARS u & u1**



**BAR a1**



**BAR d**