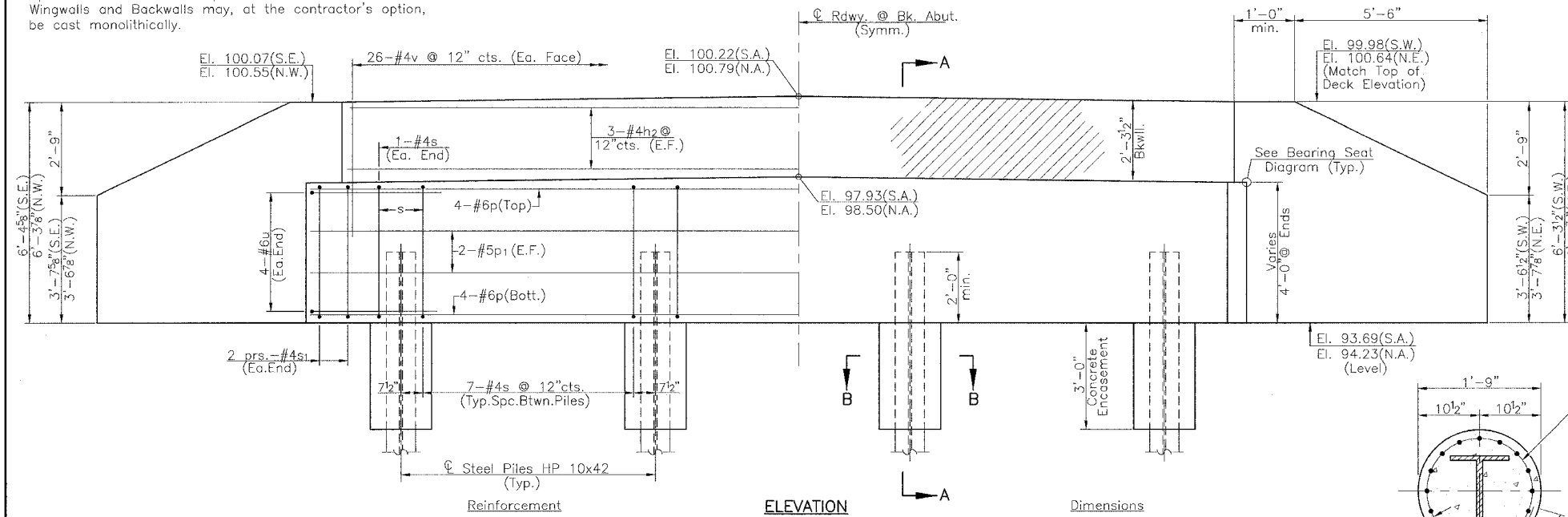


RTE.	SECTION	COUNTY	TOTAL SHEETS	SHEET NO.
T.R. 112	*	SHELBY	9	7
PROJECT				
* 02-19114-00-BR				

NOTES

All exposed edges shall have standard $\frac{3}{4}$ " chamfer.
 Space reinforcement in cap to miss beam anchor dowels.
 Wingwalls and Backwalls may, at the contractor's option,
 be cast monolithically.

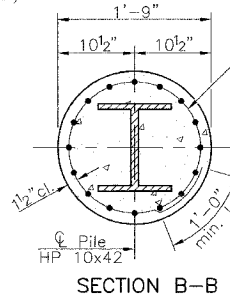
Note: Hatched area and wingwalls shall be
 poured after deck beams are anchored
 in place. Quantity for Concrete Structures
 is included in Bill of Material, this sheet.



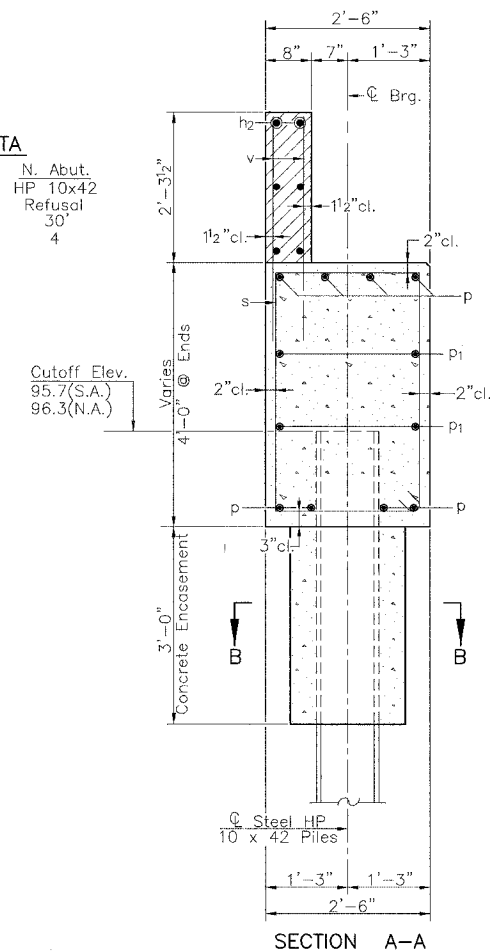
ELEVATION
 (S. Abut. Looking South)
 (N. Abut. Looking North)

PILE DATA

Type:	S. Abut.	N. Abut.
Capacity:	HP 10x42	HP 10x42
Est. Length:	Refusal	Refusal
No. Req'd.:	30	30
	3 + 1 Test Pile	4



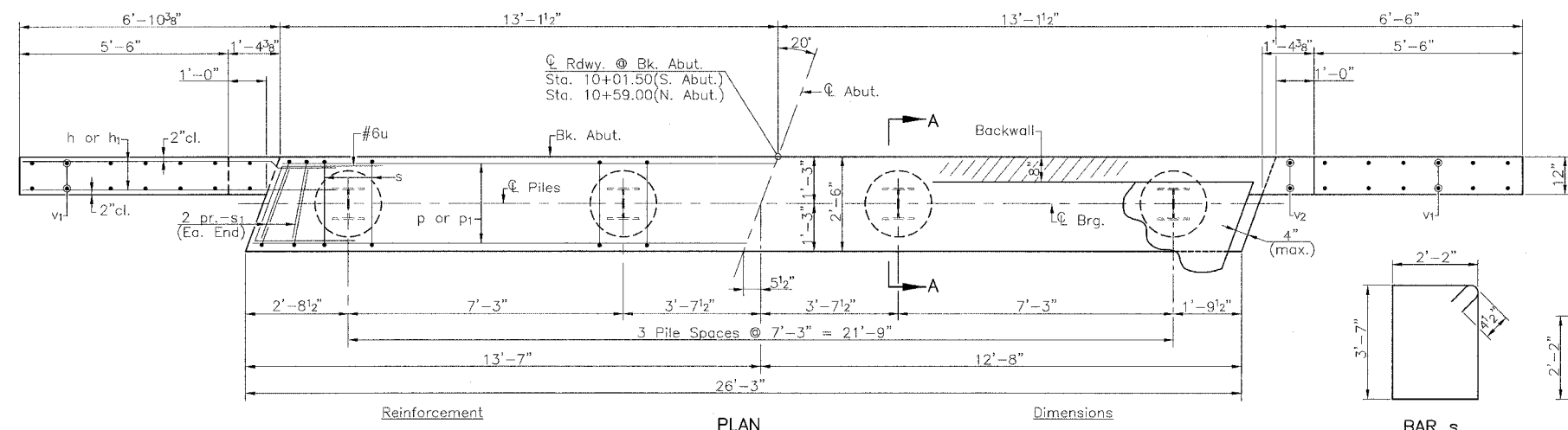
Welded Wire Fabric 6x6-W4.0-W4.0
 weighing 58#/100 sq.ft. Cost incidental
 to Concrete Encasement. (Excavation
 for placement of Encasement shall be
 incidental to the unit price for Concrete
 Encasement. (Extend W.W.F. 9" min.
 into cap).



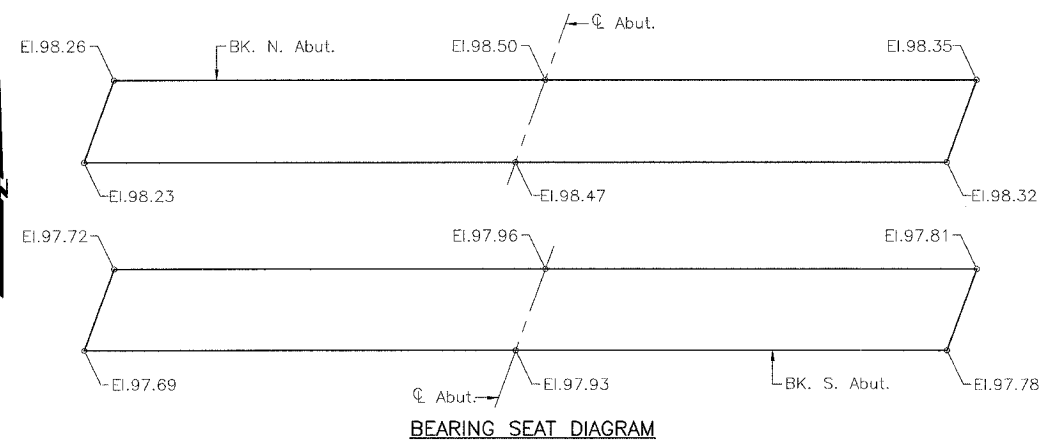
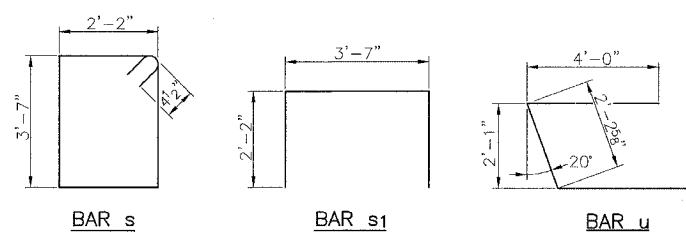
**TWO ABUTMENTS
 BILL OF MATERIAL**

BAR	NO.	SIZE	LENGTH	SHAPE	
h	32	#5	9'-0"	—	
h1	24	#5	6'-2"	—	
h2	12	#4	28'-0"	—	
p	16	#6	25'-11"	—	
p1	8	#5	25'-11"	—	
s	46	#4	12'-3"	□	
s1	16	#4	7'-11"	□	
u	16	#6	10'-3"	—	
v	104	#4	3'-9"	—	
v1	24	#4	9'-1"	—	
v2	8	#4	5'-11"	—	
Concrete Structures				Cu. Yd.	28.1
Reinforcement Bars				Pound	2665
Furnishing Steel Piles HP 10x42				Foot	210
Driving Steel Piles				Foot	210
Test Pile Steel HP10x42				Each	1
Concrete Encasement				Cu. Yd.	2.2
Structure Excavation				Cu. Yd.	138

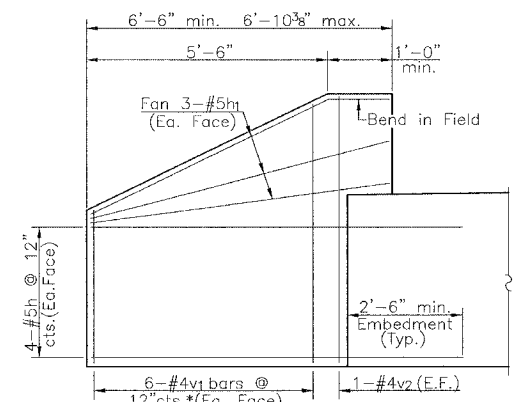
ABUTMENTS
 T.R. 112 OVER MUD CREEK
 SECTION 02-19114-00-BR
 SHELBY COUNTY



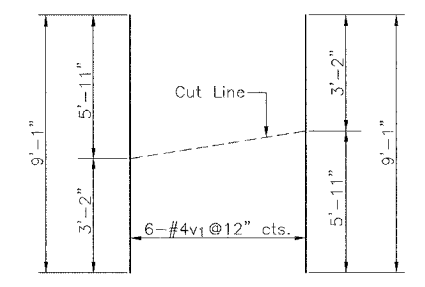
PLAN



BEARING SEAT DIAGRAM



WINGWALL ELEVATION
 (Showing Reinforcement)
 * See v1-bar cut diagram



v1 - BAR CUT DIAGRAM

Order v1 bars full length; Layout
 in field according to diagram. Cut v1 bars
 along cut line. Use remainder of each bar
 in opposite face.