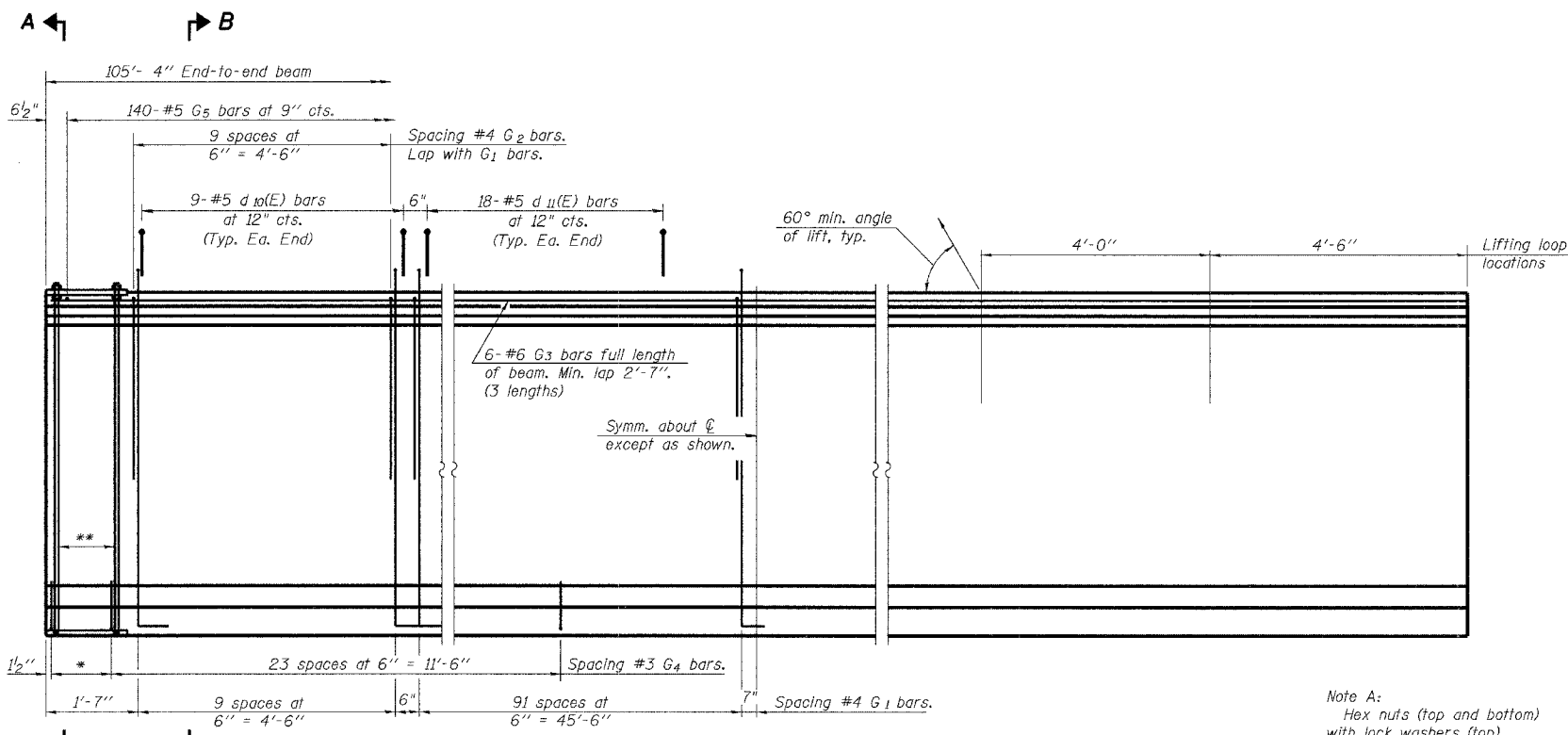


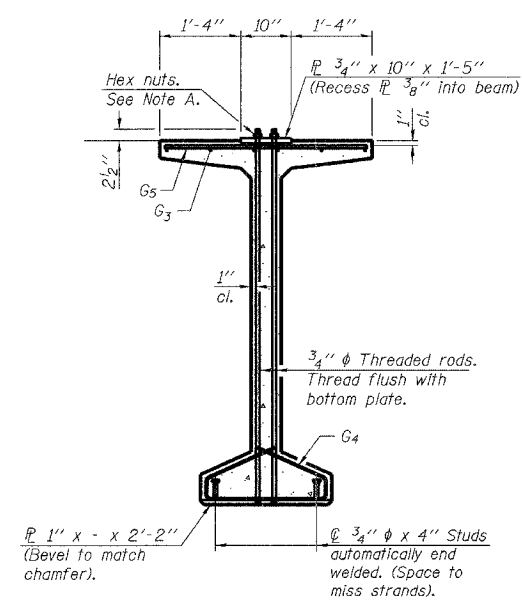
ROUTE NO. FAU 6998	SECTION 99-00209-02-PV	COUNTY VERMILION	TOTAL SHEETS 72	SHEET NO. 42
FED. ROAD DIST. NO.		ILLINOIS PROJECT		
CONTRACT NO. 91356				



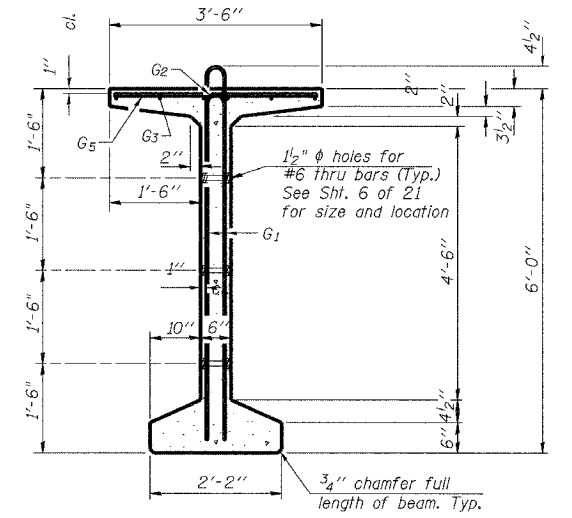
ELEVATION OF BEAM
(Showing reinforcement & dimensions)

* 4 spaces at 3 1/4" = 1'-1"
** 5-3/4" φ threaded dowel rods at 3 1/4" cts., each face.

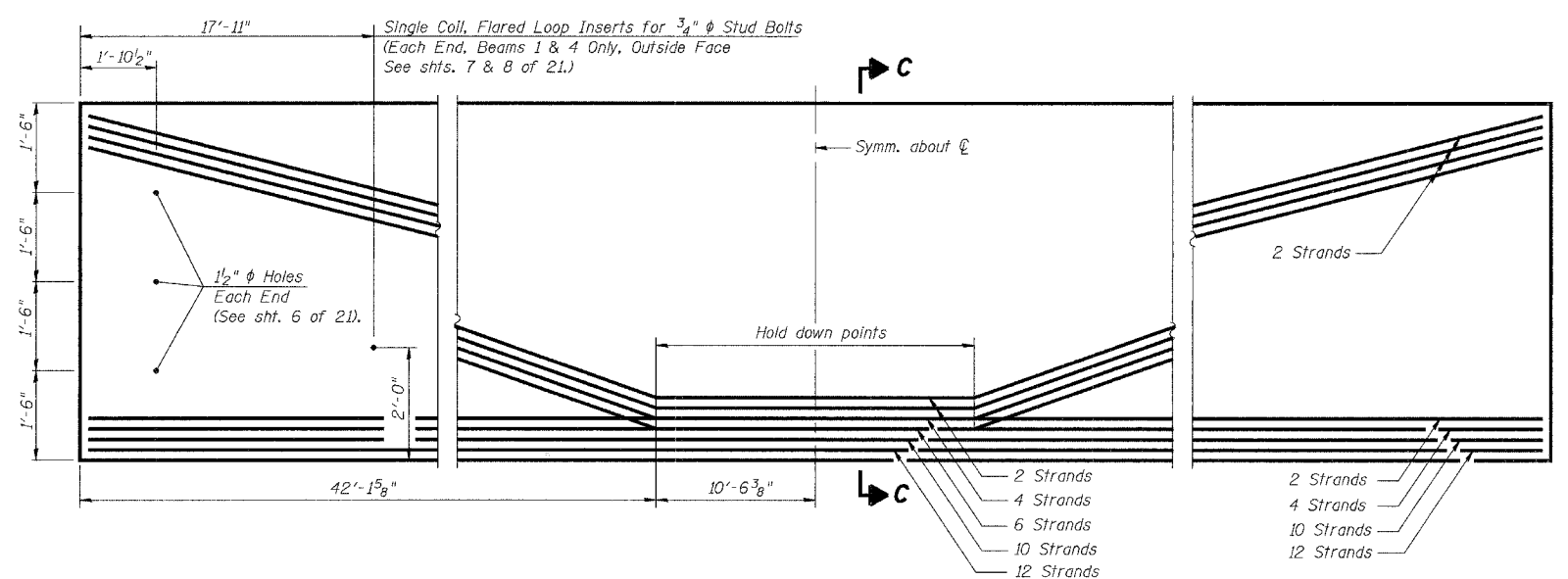
Note A:
Hex nuts (top and bottom) with lock washers (top). Only tighten sufficiently to compress lock washers.



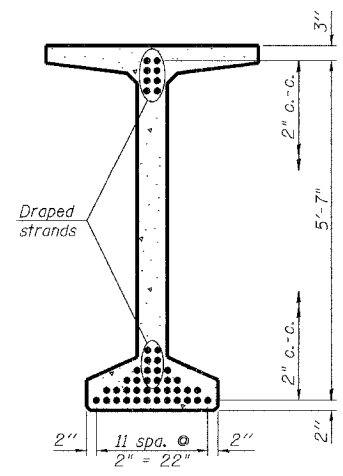
SECTION A-A



SECTION B-B



ELEVATION OF BEAM
(Showing Prestressing Steel)



SECTION C-C

**BAR LIST
ONE BEAM ONLY**

Bar	No.	Size	Length	Shape
G1	204	#4	13'-5"	⌈
G2	20	#4	7'-0"	⌈
G3	18	#6	36'-9"	⌈
G4	56	#3	4'-11"	⌈
G5	140	#5	3'-4"	⌈

Notes:
See sheet 12 of 21 for additional details and Bill of Material.
Required release strength, f'ci, shall be 5000 psi.

PPC BULB-T BEAM		WINTER AVENUE OVER STONEY CREEK SECTION 99-00209-02-PV CITY OF DANVILLE, IL VERMILION COUNTY STA. 106+34.70 PROP. STR. NO. 092-6033	Sheet No.
Date	Designed ACW		11
Revisions	Drawn BKN		of 21
	Checked KWB		
	Approved KWB		
Prepared by:	URS 3040 North University Avenue Decatur, IL 62526		URS Job No. 36430866