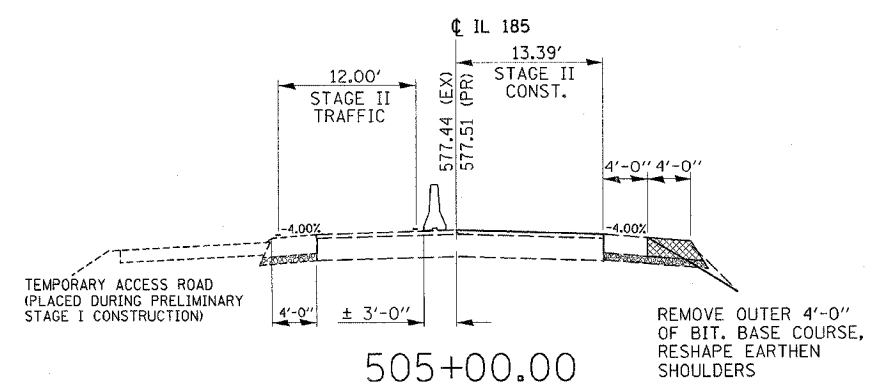
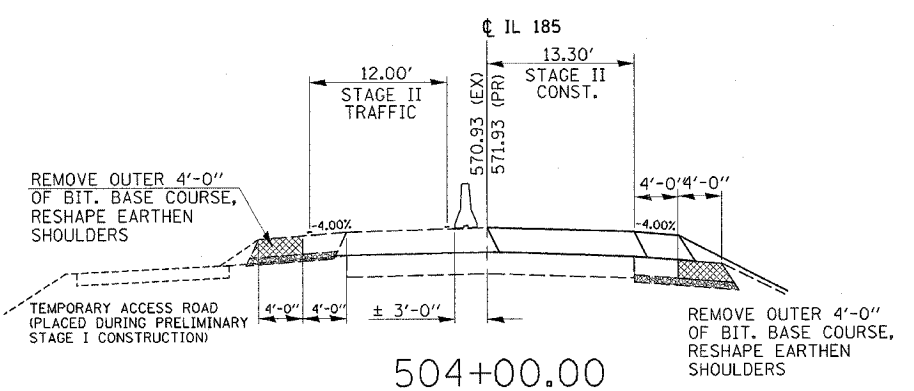
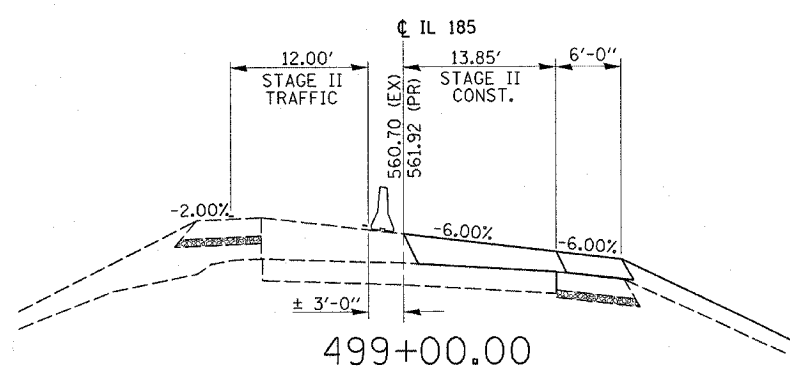
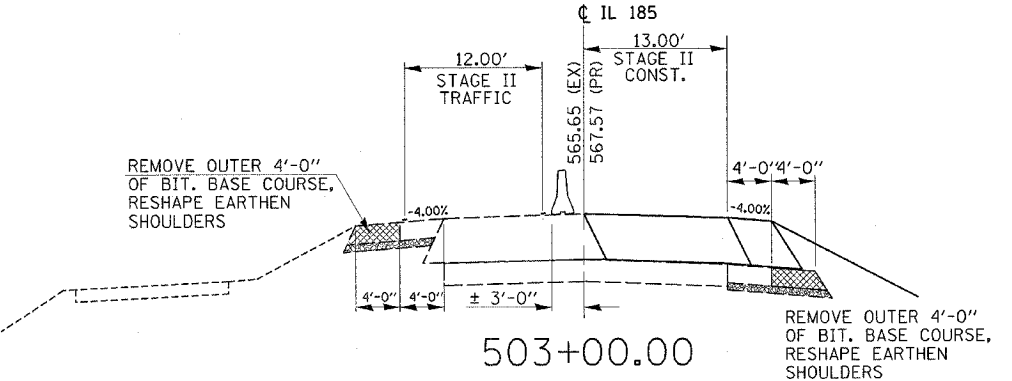
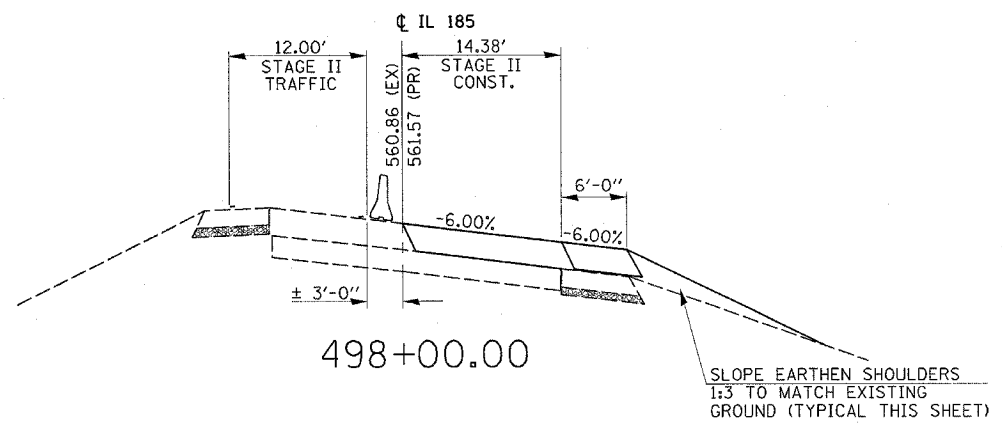
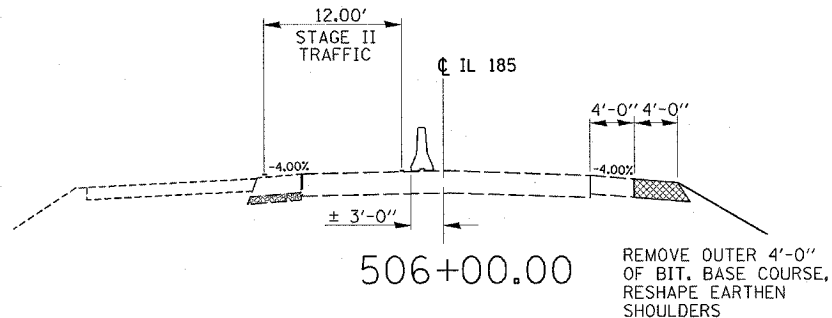
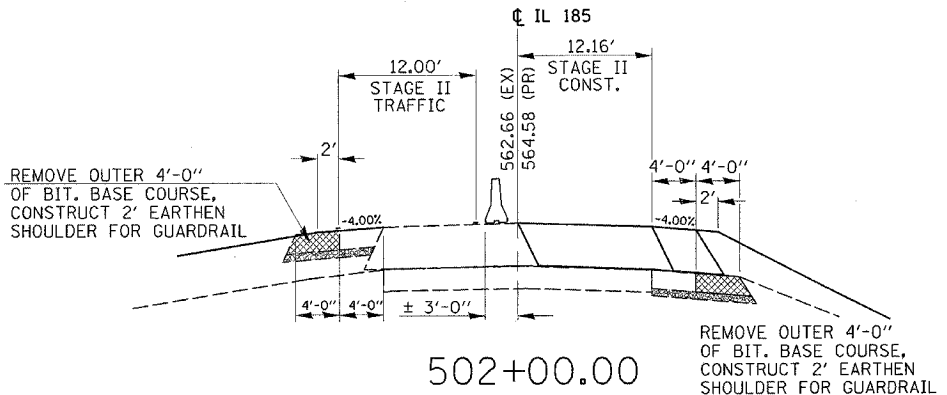
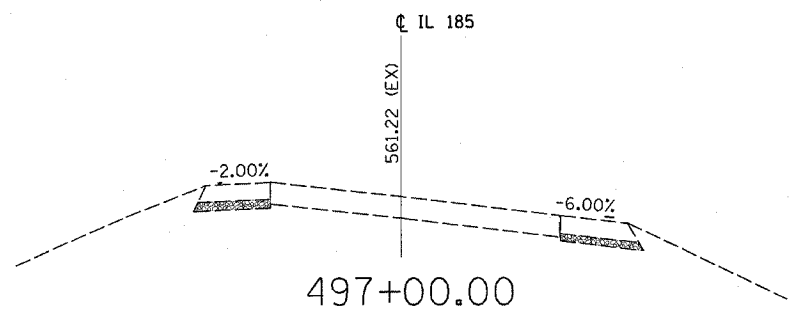


F.A. RTE.	SECTION	COUNTY	TOTAL SHEETS	SHEET NO.
777	10(B-1, BR-2)	MONTGOMERY	104	45
STA.		TO STA.		
FED. ROAD DIST. NO.		ILLINOIS FED. AID PROJECT		



REVISIONS	
NAME	DATE

ILLINOIS DEPARTMENT OF TRANSPORTATION
STAGE 2 CROSS SECTIONS
 FAP 777 RTE. 185
 SECTION 10(B-1, BR-2)
 MONTGOMERY COUNTY

SCALE: VERT. HORIZ.
 DATE: DRAWN BY RTS
 CHECKED BY:

PLOT DATE = 1/23/2006
 FILE NAME = c:\projects\777\777\stage2\stage2.dgn
 PLOT SCALE = 48.0000' / 1" IN.
 USER NAME = alagier