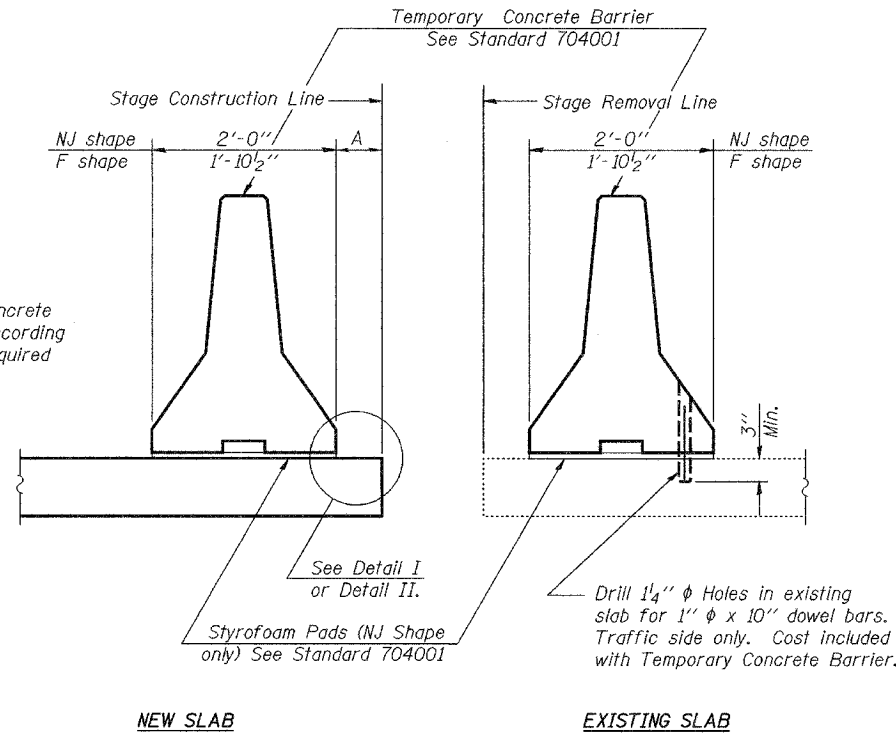


STATE OF ILLINOIS
DEPARTMENT OF TRANSPORTATION

ROUTE NO.	SECTION	COUNTY	SHEET	NO.	SHEET NO.
FAP 777	10B-1	MONTGOMERY	104	56	4
FED. ROAD DIST. NO. 7					ILLINOIS
FED. AID PROJECT					23 SHEETS

Contract #92667

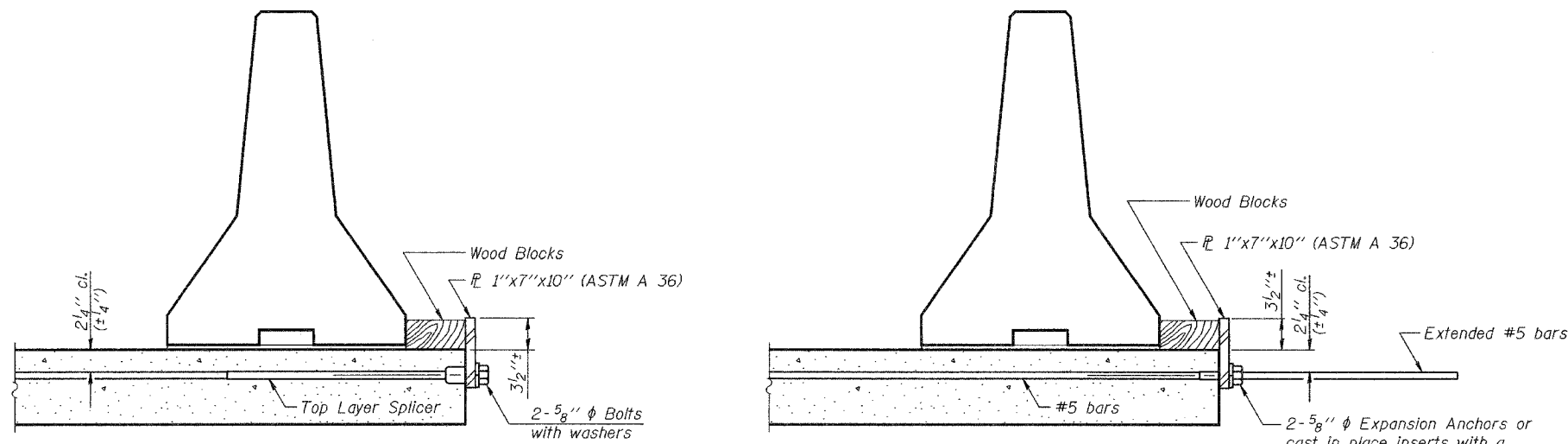


When "A" is 3'-6" or less, the temporary concrete barrier shall be anchored to the new slab according to Detail I or Detail II. No anchorage is required when "A" is greater than 3'-6".

NOTES

- Detail I - With Bar Splicer or Couplers:
Connect one (1) 1"x7"x10" steel \bar{P} to the top layer of couplers with 2-5/8" ϕ bolts screwed to coupler at approximate \bar{C} of each barrier panel.
- Detail II - With Extended Reinforcement Bars:
Connect one (1) 1"x7"x10" steel \bar{P} to the concrete slab with 2-5/8" ϕ Expansion Anchors or cast in place inserts spaced between the top layer of reinforcement at approximate \bar{C} of each barrier panel.
- Cost of anchorage is included with Temporary Concrete Barrier.

SECTIONS THRU SLAB

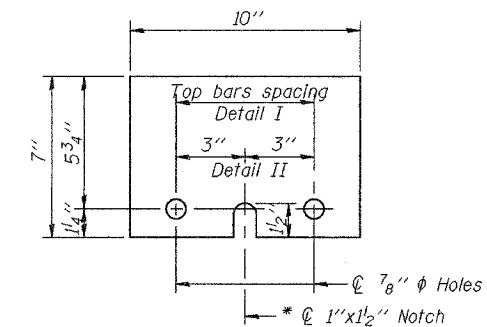


DETAIL I

The 1"x7"x10" Plate shall not be removed until Stage II Construction forms and reinforcement bars are in place.

DETAIL II

The 1"x7"x10" Plate shall not be removed until Stage II Construction forms and all reinforcement bars are in place and the concrete is ready to be placed.



\bar{P} 1"x7"x10"

* Required only with Detail II

DESIGNED Daniel F. Zerrusen	EXAMINED <i>Thomas J. Damgalak</i> ENGINEER OF BRIDGES DESIGN
CHECKED Stephen M. Ryan	PASSED <i>Ralph E. Anderson</i> ENGINEER OF BRIDGES AND STRUCTURES
DRAWN R. Doty	
CHECKED DFZ/SMR	

Feb 3, 2006

R-27

10-22-04

**TEMPORARY CONCRETE BARRIER
FOR STAGE CONSTRUCTION
F.A.P. RT. 777 SEC. 10B-1
MONTGOMERY COUNTY
STATION 500+44.04
STRUCTURE NO. 068-0505**