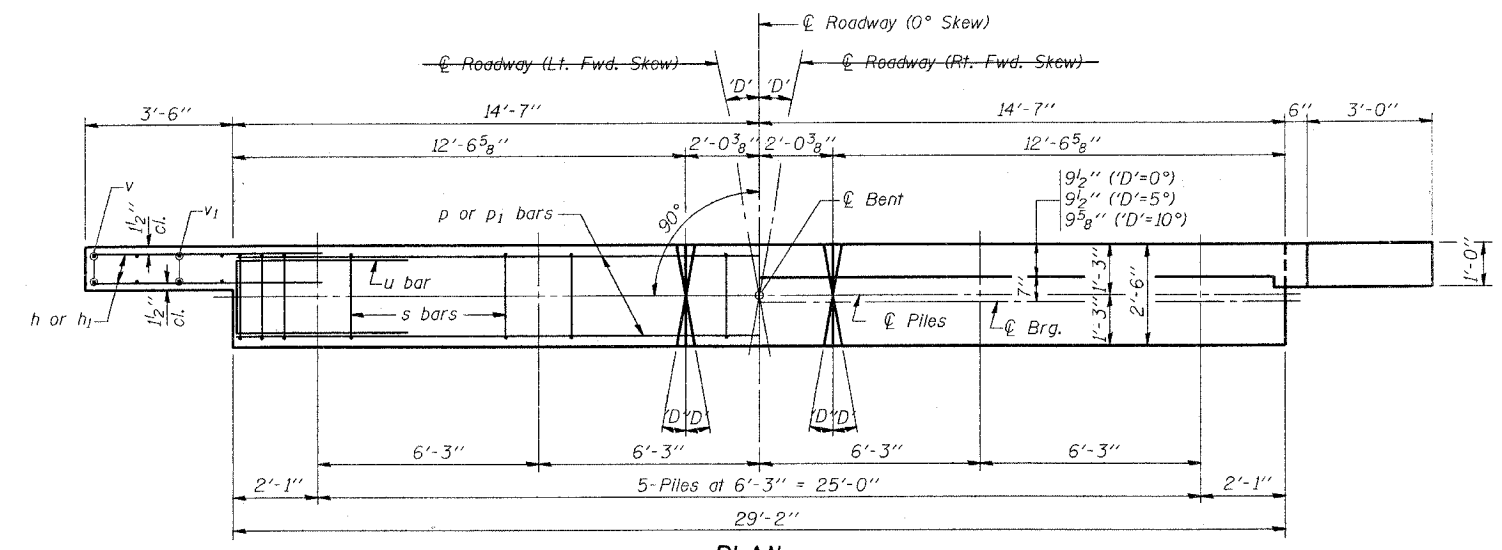
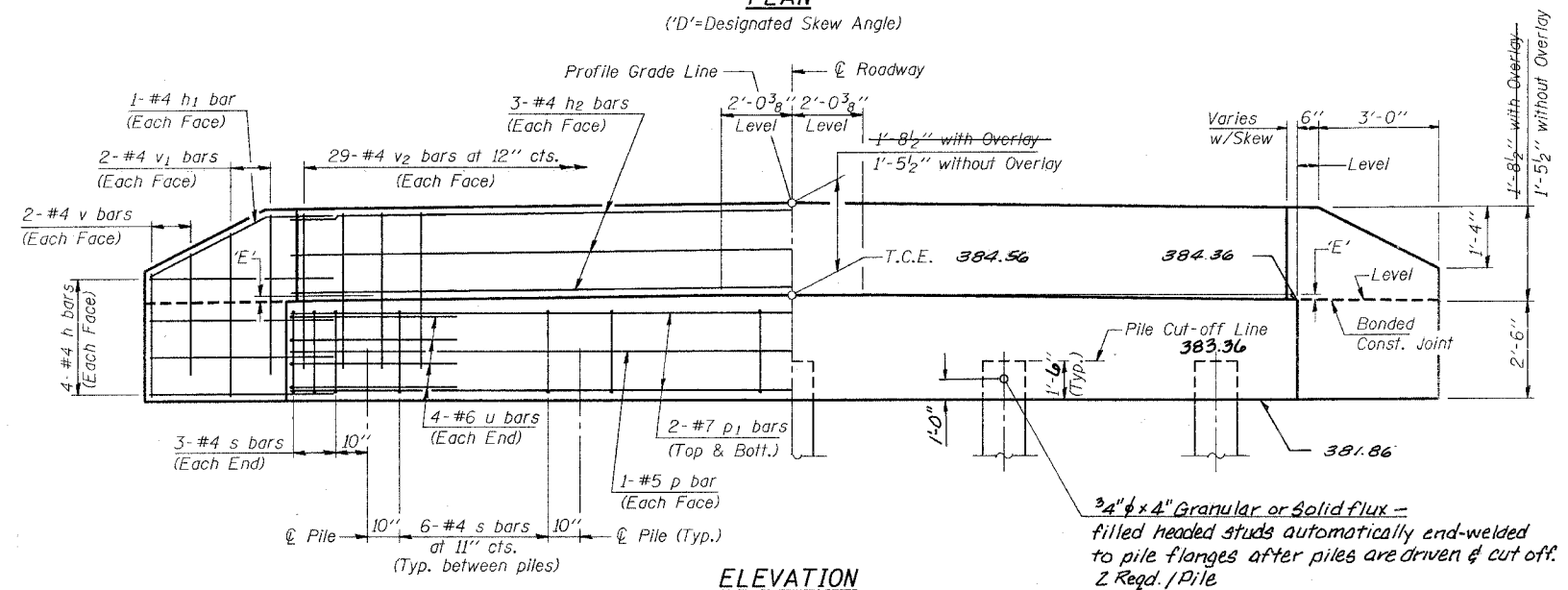


REL.	SECTION	COUNTY	TOTAL SHEETS	SHEET NO.
*		WAYNE	11	8



**PLAN**  
(D' = Designated Skew Angle)



**ELEVATION**

**DIMENSION 'E'**

GRADE	'D'=0°		'D'=5°		'D'=10°	
	UPGRADE END	DOWNGRADE END	UPGRADE END	DOWNGRADE END	UPGRADE END	DOWNGRADE END
0%	2 3/8"	2 3/8"	2 3/8"	2 3/8"	2 3/8"	2 3/8"
Over 0% to 1%	2 3/8"	2 3/8"	2 1/4"	2 3/8"	2 1/8"	2 1/2"
Over 1% to 2%	2 3/8"	2 3/8"	2 1/8"	2 1/2"	1 7/8"	2 3/4"
Over 2% to 3%	2 3/8"	2 3/8"	2"	2 5/8"	1 5/8"	3"
Over 3% to 4%	2 3/8"	2 3/8"	1 7/8"	2 3/4"	1 3/8"	3 1/4"

**NOTES**

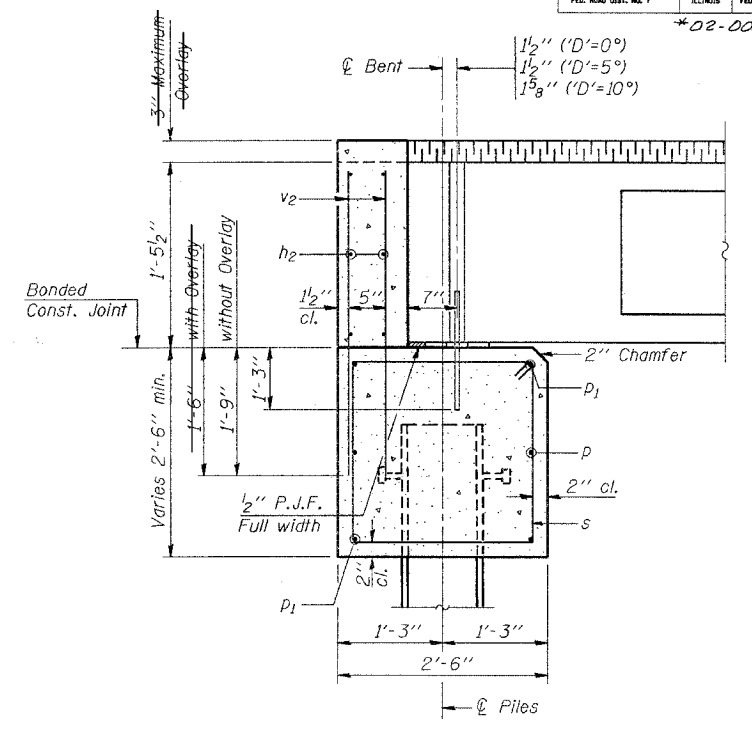
- The Backwall and the portion of the Wingwalls above the bonded construction joint shall be cast against the in-place beam.
- Reinforcement bars shall conform to A.A.S.H.T.O. M-31, M-42 or M-53, Grade 60.

**MAXIMUM PILE LOADS**

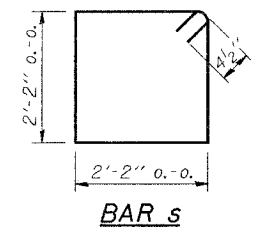
SPAN	TONS
25'	25
30'	25
35'	25
40'	27

**DESIGN STRESSES**

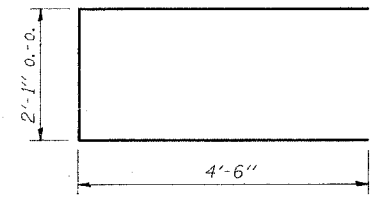
f'c = 3,500 psi  
fy = 60,000 psi



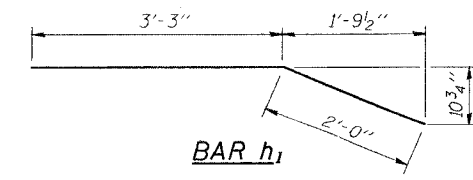
**SECTION THRU ABUTMENT**  
(At Right Angles)



**BAR s**



**BAR u**



**BAR h1**

**BILL OF MATERIAL FOR ONE ABUTMENT**

Bar	No.	Size	Length	Shape
h	16	#4	5'-0"	—
h1	4	#4	5'-3"	—
h2	6	#4	28'-10"	—
p	2	#5	28'-10"	—
p1	4	#7	28'-10"	—
s	30	#4	9'-5"	□
u	8	#6	11'-1"	□
v	8	#4	2'-6"	—
v1	8	#4	3'-5"	—
v2	58	#4	3'-1"	—
Concrete Structures			9.5 Cu. Yds.	
Reinforcement Bars			950 Lbs.	

**P.P.C. DECK BEAMS  
PILE BENT ABUTMENT**

28' RDWY. | 17" BMS. | 'D'=0°, 5° OR 10°

STANDARD CA-2817-10

Illinois Department of Transportation

PASSED November 1, 1995

Approved by: *Raj D. Kasper*  
Engineer of Bridge Design

APPROVED November 1, 1995

Approved by: *Ralph E. Anderson*  
Engineer of Bridges and Structures

IB-4-1 (01/85)