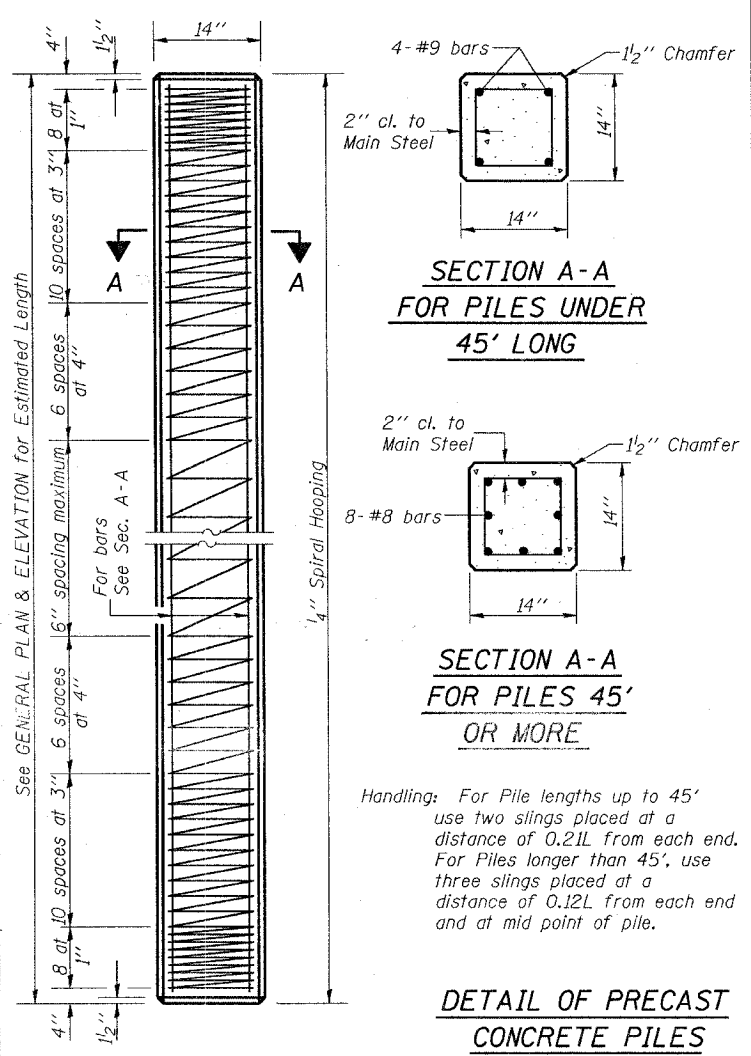


| | | | | |
|---------------------|----------|---------|--------------|-------|
| F.A.S. ROUTE NO. | SECTION | COUNTY | TOTAL SHEETS | SHEET |
| 95-02/26-00-BL | LAWRENCE | | 10 | 10 |
| STA. | TO STA. | | | |
| FED. ROAD DIST. NO. | ILLINOIS | PROJECT | | |

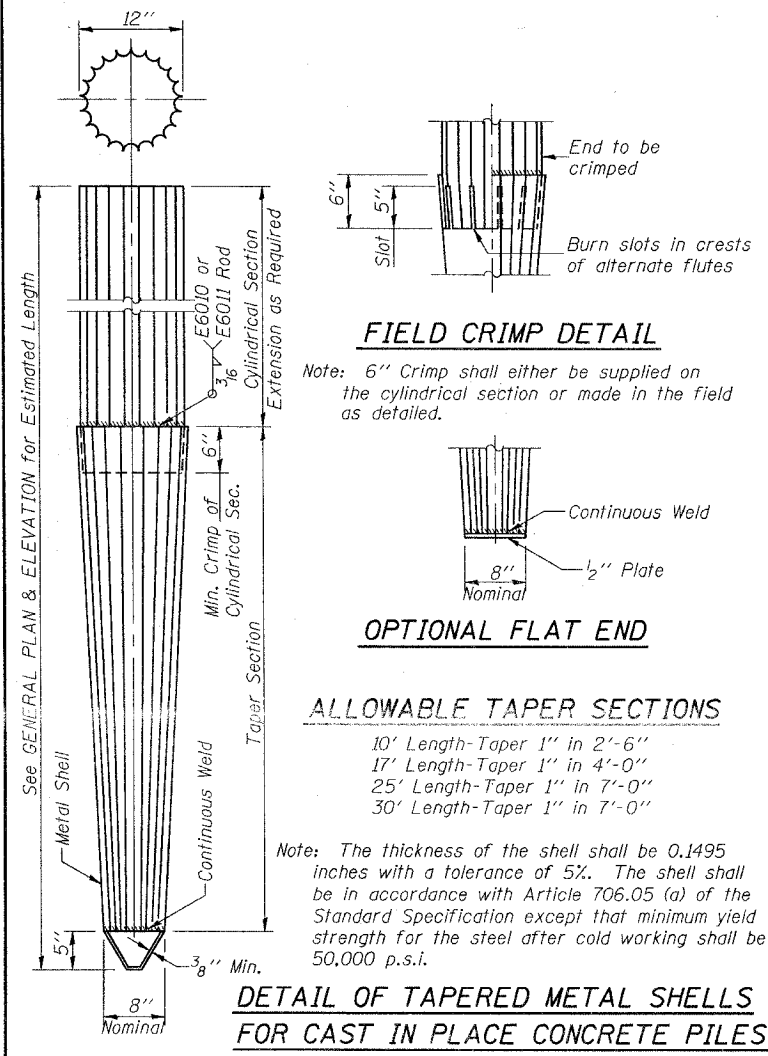
Reinforcement cage shall be omitted when Class ~~SI~~ Concrete Encasement is provided.

The cost of Reinforcement is incidental to the Cost of Furnishing Piles.

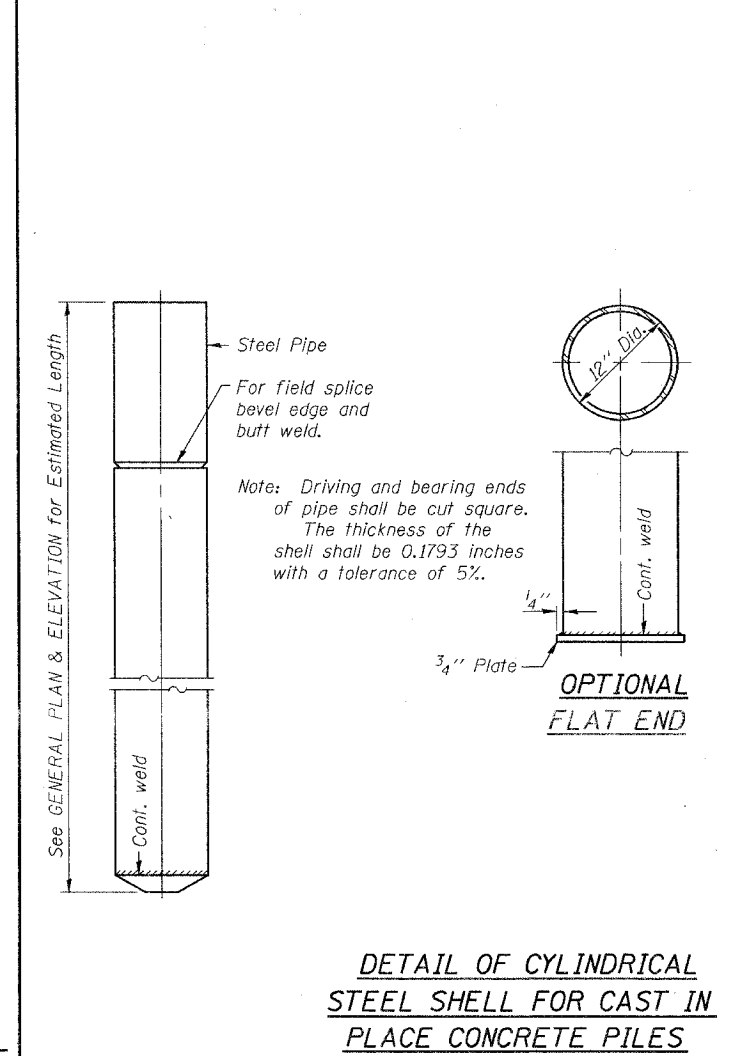


Handling: For Pile lengths up to 45' use two slings placed at a distance of 0.21L from each end. For Piles longer than 45', use three slings placed at a distance of 0.12L from each end and at mid point of pile.

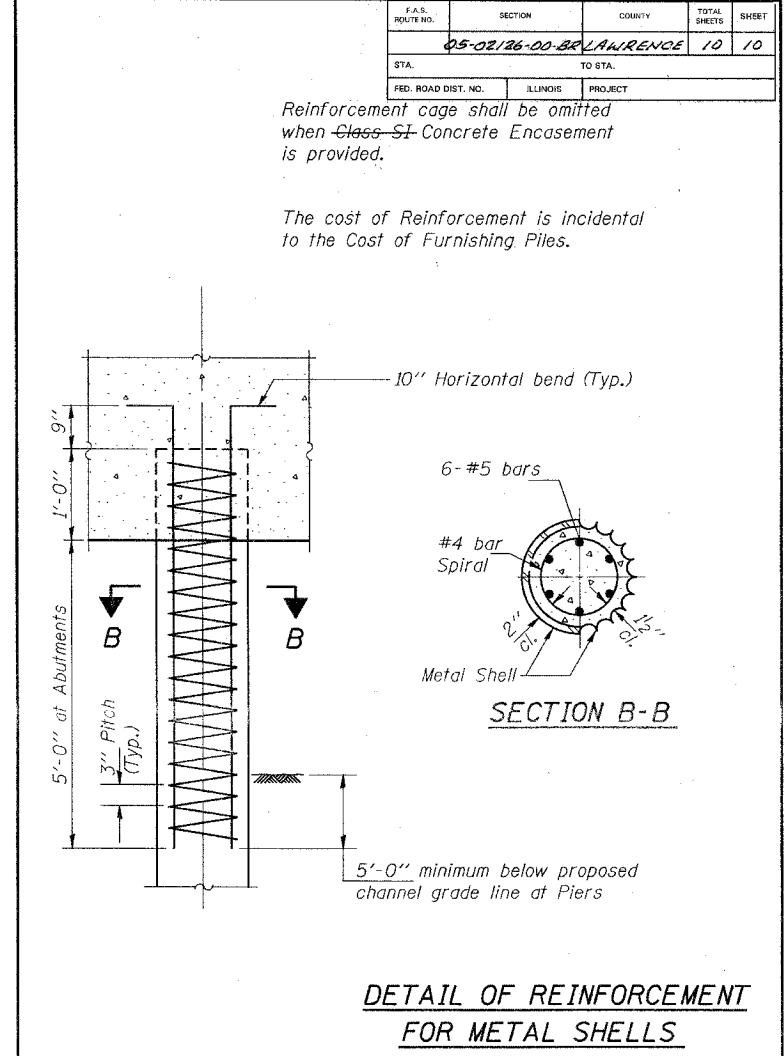
DETAIL OF PRECAST CONCRETE PILES



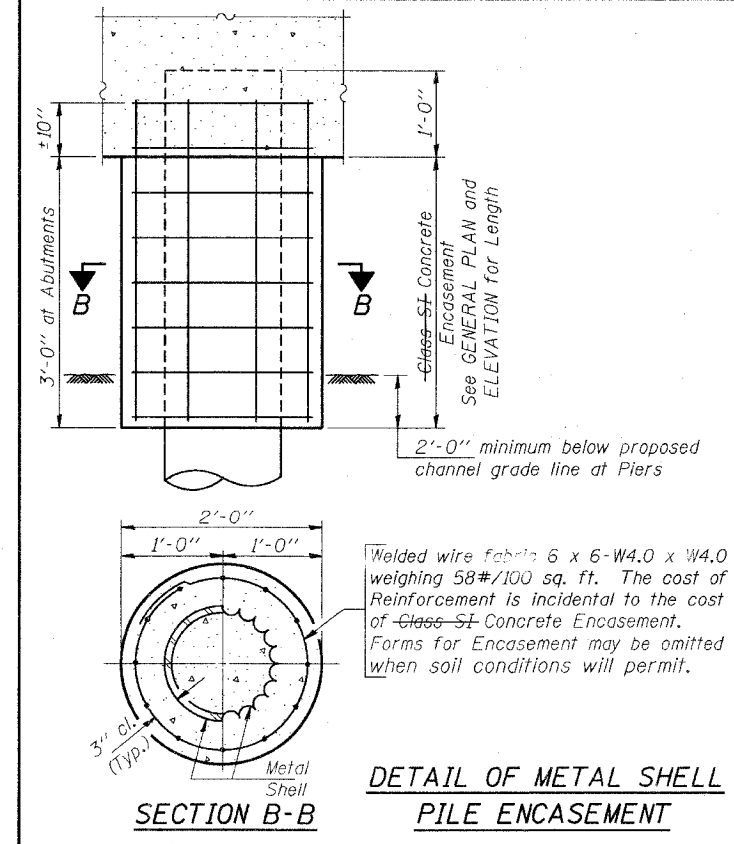
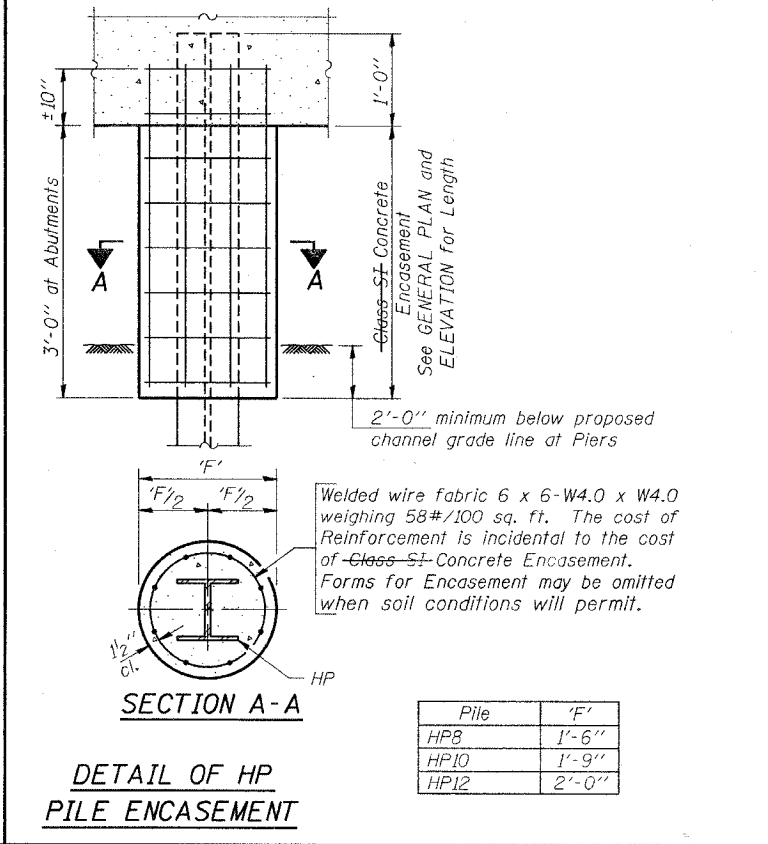
DETAIL OF TAPERED METAL SHELLS FOR CAST IN PLACE CONCRETE PILES



DETAIL OF CYLINDRICAL STEEL SHELL FOR CAST IN PLACE CONCRETE PILES



DETAIL OF REINFORCEMENT FOR METAL SHELLS



QUANTITIES/LIN. FT. OF ENCASEMENT (STEEL PILES)

| Pile Size | Item | Quantity |
|-----------|------------------------------|------------|
| HP8 | Class-SI Concrete Encasement | 0.063 C.Y. |
| HP10 | Class-SI Concrete Encasement | 0.086 C.Y. |
| HP12 | Class-SI Concrete Encasement | 0.112 C.Y. |

(METAL SHELL PILES)

| Pile Size | Item | Quantity |
|-----------|------------------------------|------------|
| 12" Dia. | Class-SI Concrete Encasement | 0.087 C.Y. |

Illinois Department of Transportation

PASSED November 1, 1995

Raj D. Kuper
Engineer of Bridge Design

APPROVED November 1, 1995

Ralph E. Anderson
Engineer of Bridges and Structures

18-11 031655

| |
|----------------------|
| PILE DETAILS |
| STANDARD CX-1 |