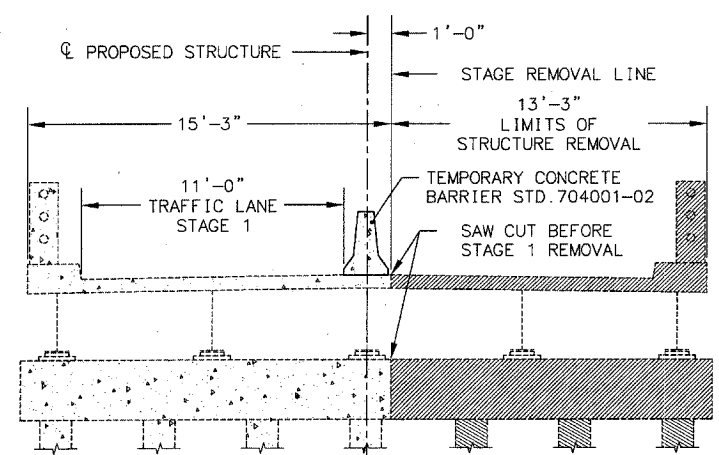
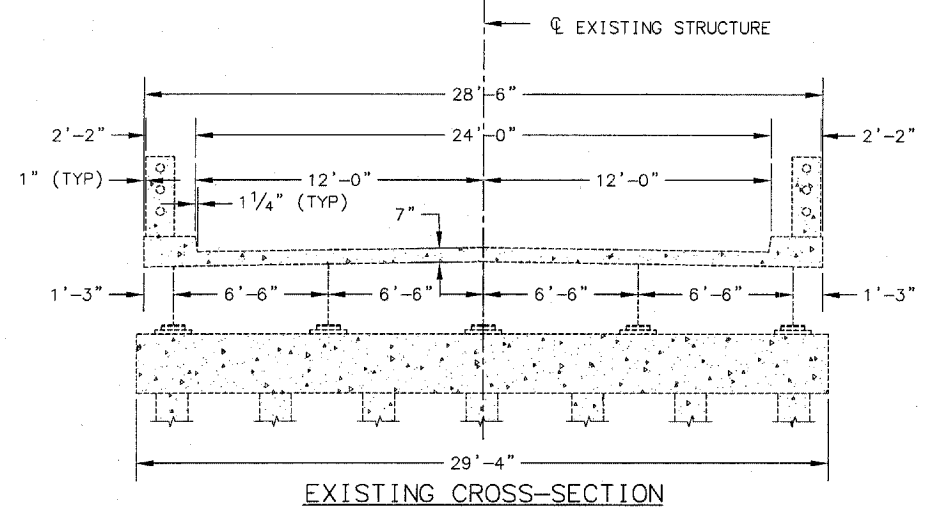
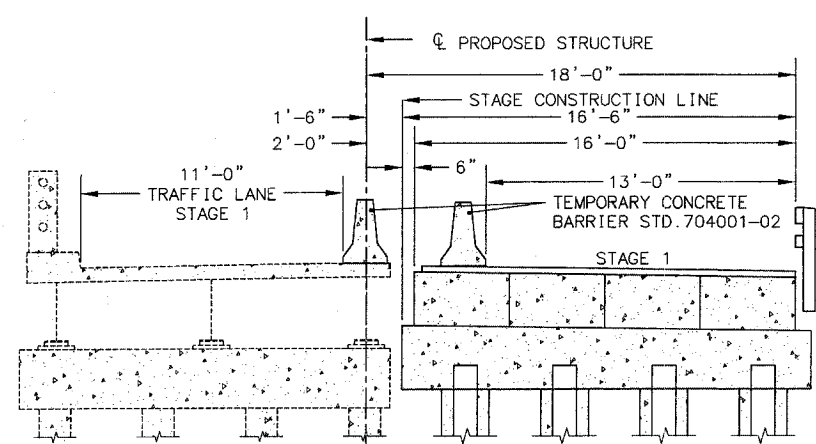


SECTION NO.	COUNTY HIGHWAY	COUNTY	SHEET OF SHEETS
00-00196-08-BR	47	ST. CLAIR	6 OF 18
FHWA REG. NO. x	ILLINOIS	FEDERAL AID PROJECT	
STAGE CONSTRUCTION SECTIONS		CONTRACT	97257



STAGE 1 REMOVAL  
(LOOKING EAST)

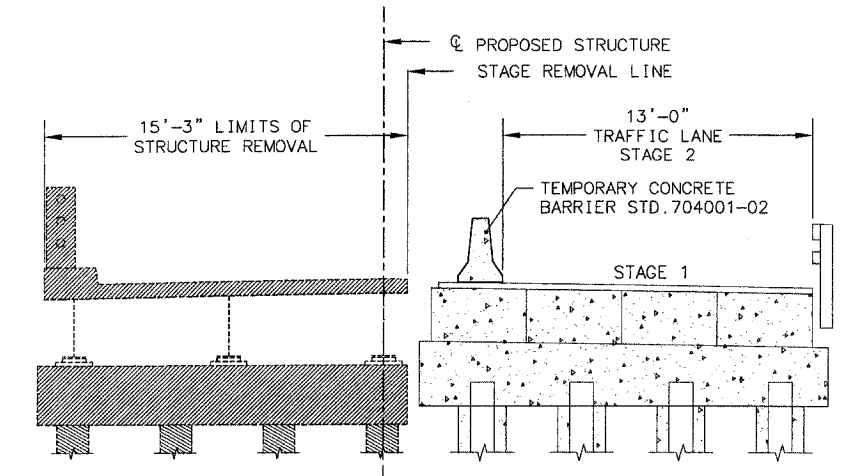


STAGE 1 CONSTRUCTION  
(LOOKING EAST)

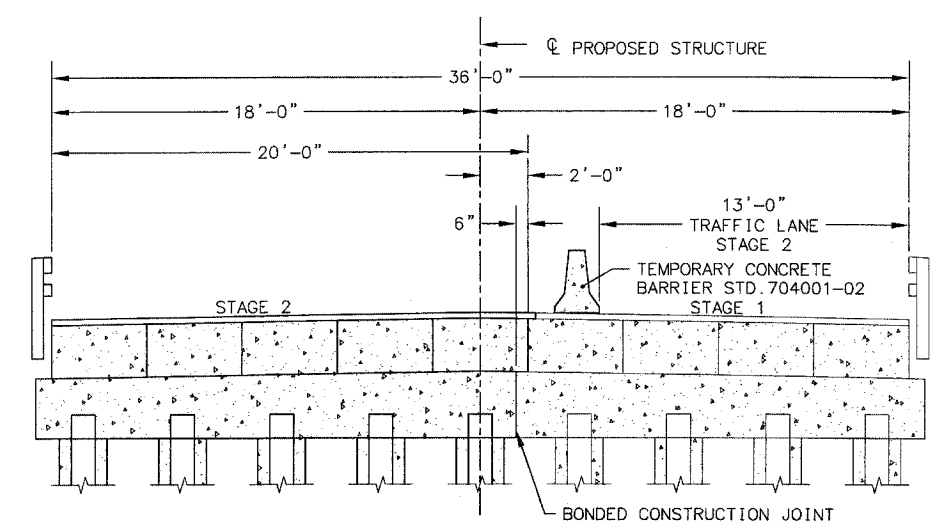
**NOTES**

1. THE APPLICATION OF FIBERGLASS FABRIC IN THE WATERPROOFING MEMBRANE SYSTEM SHALL BE CONSTRUCTED IN SUCH A MANNER AS TO ENSURE THE PROPER OVERLAPPING OF THE MATERIAL BETWEEN THE STAGE 1 AND STAGE 2 CONSTRUCTION.
2. THE CONTRACTOR SHALL CONSTRUCT A BONDED CONSTRUCTION JOINT WHEN JOINING PROPOSED STAGE 2 TO STAGE 1 AND BAR SPLICERS SHALL BE UTILIZED AS SHOWN IN PLANS.

**LEGEND**



STAGE 2 REMOVAL  
(LOOKING EAST)



STAGE 2 CONSTRUCTION  
(LOOKING EAST)

	INITIALS	DATE
DESIGNED	J. HARMS	10/04
CHECKED		
DRAWN	J. HARMS	10/04
CHECKED		
PREPARED BY ST. CLAIR COUNTY		
CADD DRAWING FILE:stagecons		

PLOT DATE: