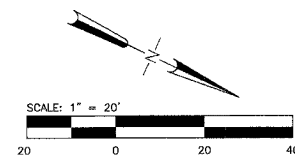
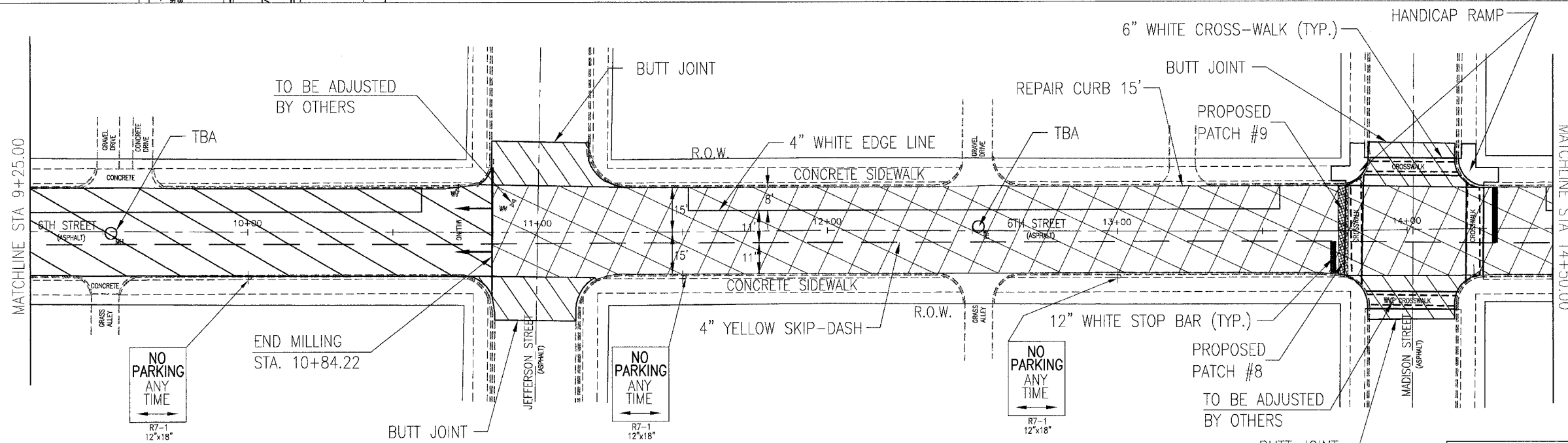
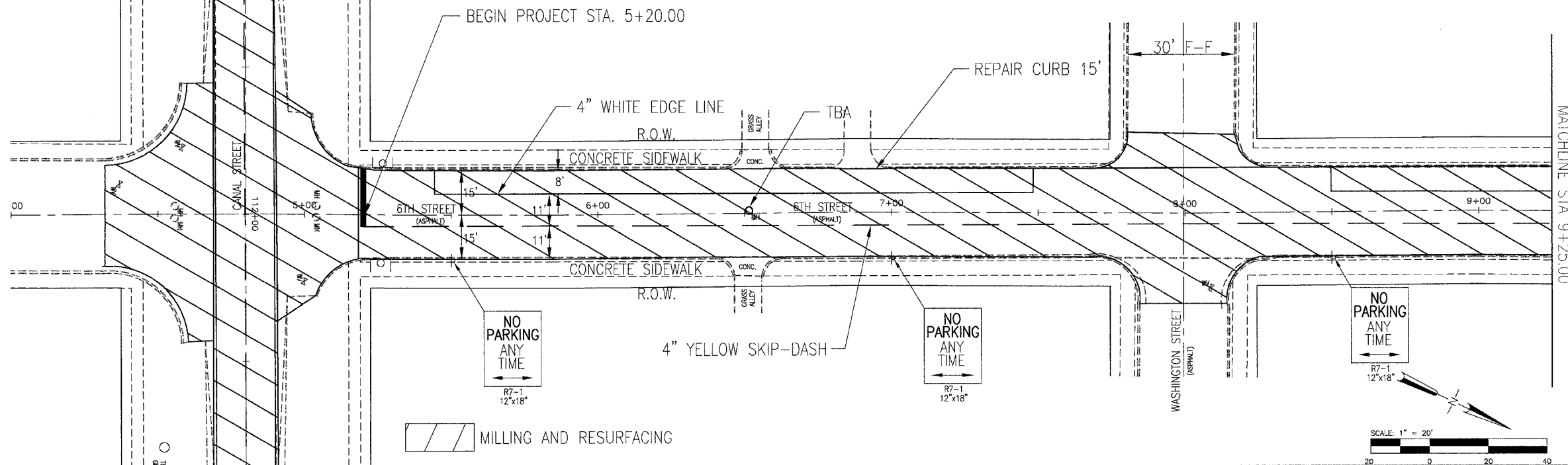


F.A. DIST.	SECTION	COUNTY	TOTAL SHEETS	SHEET NO.
9141/05-00022-00-RS	ST. CLAIR		9	7
STA. 4+00.00	TO STA. 14+50.00			
FED. ROAD DIST. NO.	BLANDS	FED. AID PROJECT		
CONTRACT NO. 97266				



- RESURFACING
- MILLING AND RESURFACING

REVISIONS	
NAME	DATE

ILLINOIS DEPARTMENT OF TRANSPORTATION
PLAN SHEETS
SHEET 3 OF 5
 F.A.U. 9141 (CANAL STREET)
 F.A.U. 9142 (6TH STREET)
 SECTION 05-00022-00-RS
 ST. CLAIR & MADISON COUNTY

SCALE: 1" = 20'
 DATE: DECEMBER 5, 2005
 DRAWN BY: JEH
 CHECKED BY: RCY