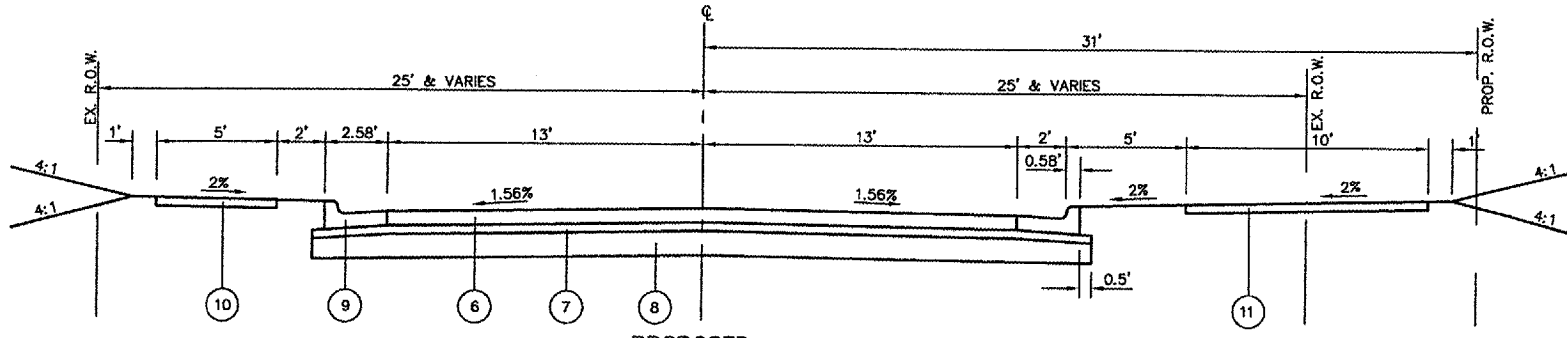
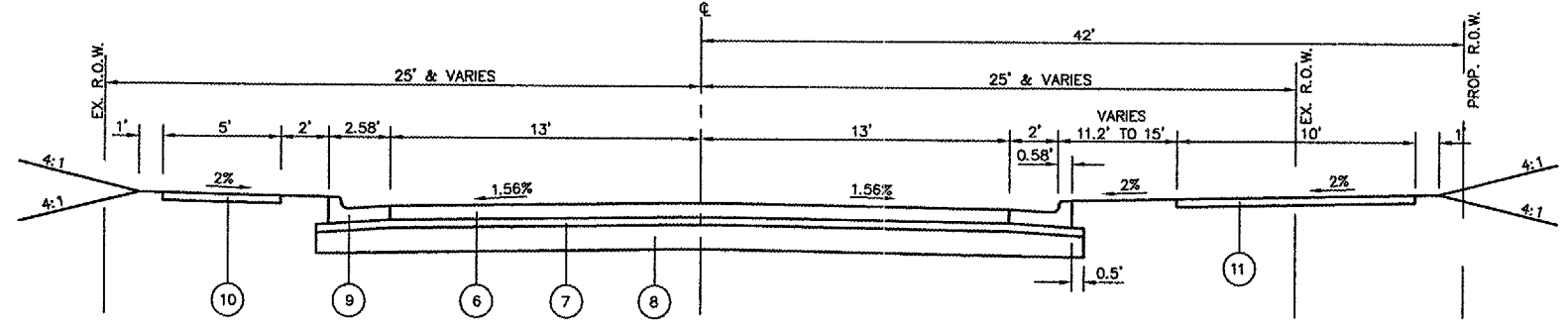


FILE NO.	SECTION	COUNTY	TOTAL SHEETS	SHEET NO.
9397	01-00022-00-RP	MADISON	72	12

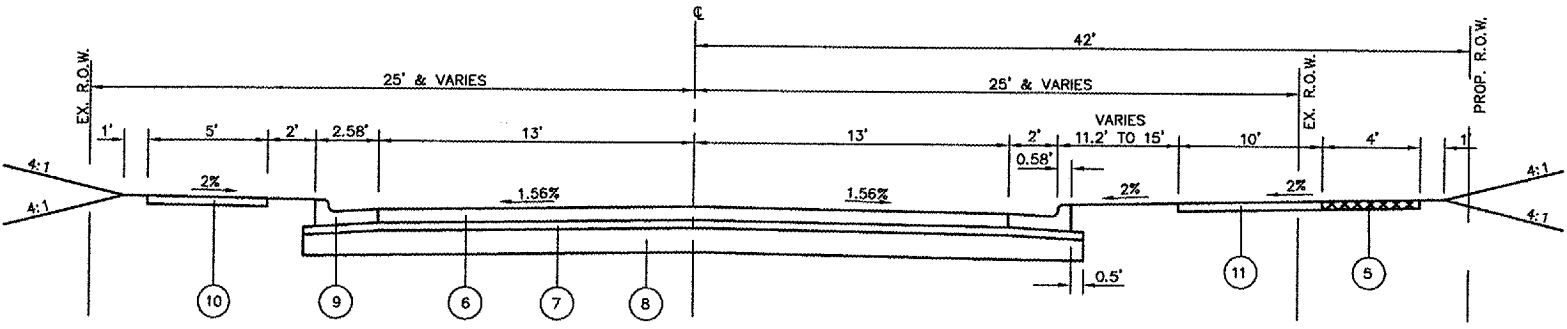
CONTRACT NO. 97269



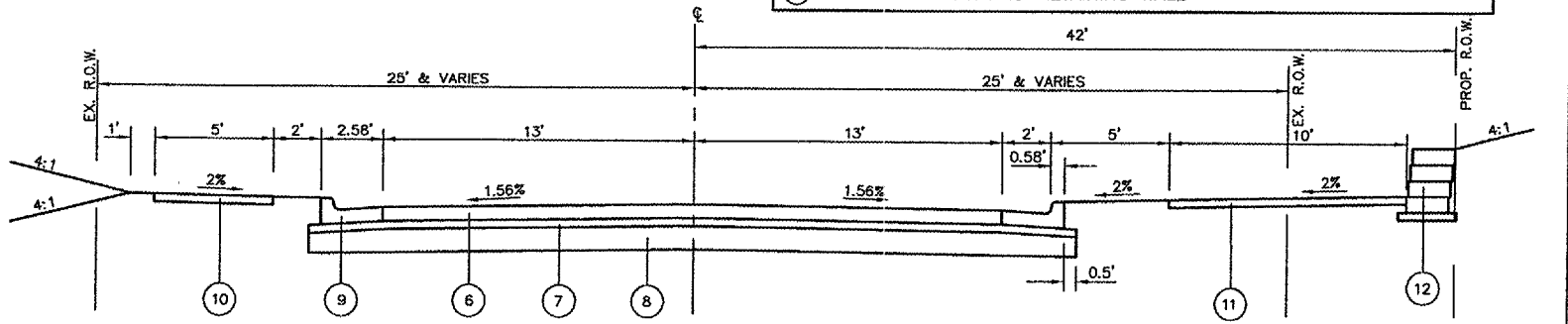
PROPOSED
 STA. 20+03.58 TO STA. 20+64.47
 STA. 26+22.54 TO STA. 31+51.51



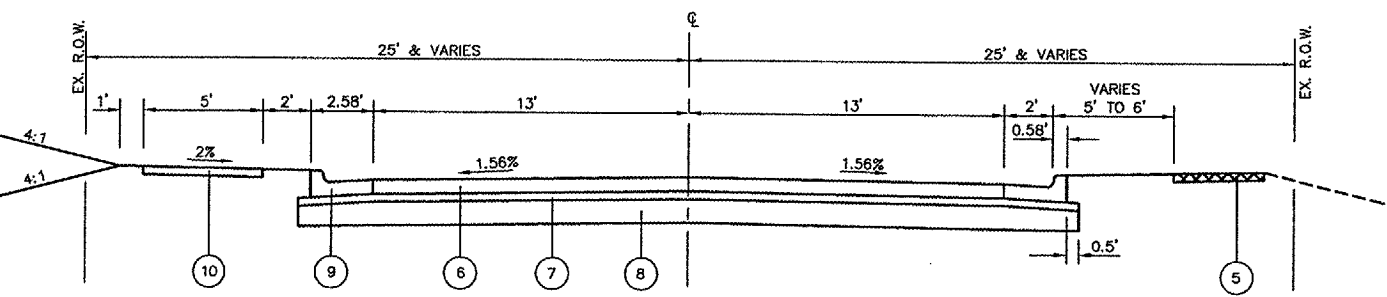
PROPOSED
 STA. 20+64.47 TO STA. 21+89.47
 STA. 24+85.73 TO STA. 25+48.38



PROPOSED
 STA. 21+89.47 TO STA. 24+85.73



PROPOSED
 STA. 25+48.38 TO 26+22.54



PROPOSED
 STA. 31+51.51 TO STA. 36+25
 (END SIDEWALK AT STA. 35+31.65)

LEGEND

- ⑤ EXISTING PCC SIDEWALK (TO REMAIN IN PLACE)
- ⑥ PROPOSED PCC PAVEMENT, 7"
- ⑦ PROPOSED SUBBASE GRANULAR MATERIAL, TYPE A, 4"
- ⑧ PROPOSED LIME MODIFIED SOIL, 12"
- ⑨ PROPOSED COMBINATION CONCRETE CURB & GUTTER, TYPE B-6.24
- ⑩ PROPOSED PCC SIDEWALK, 4"
- ⑪ PROPOSED SHARED-USE TRAIL (PEDESTIAN - BICYCLE) (PAID FOR AS PCC SIDEWALK, 4")
- ⑫ PROPOSED COMPAC RETAINING WALL

REVISIONS	
NAME	DATE

TYPICAL SECTIONS
 LOWER MARINE ROAD IMPROVEMENTS
 CITY OF TROY
 MADISON COUNTY, ILLINOIS