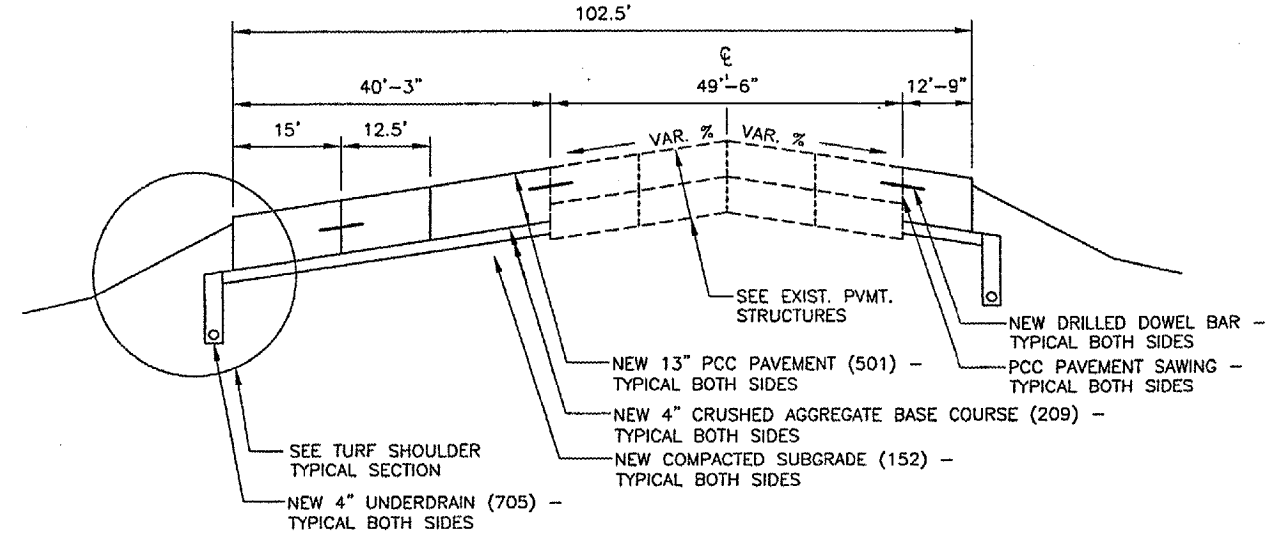
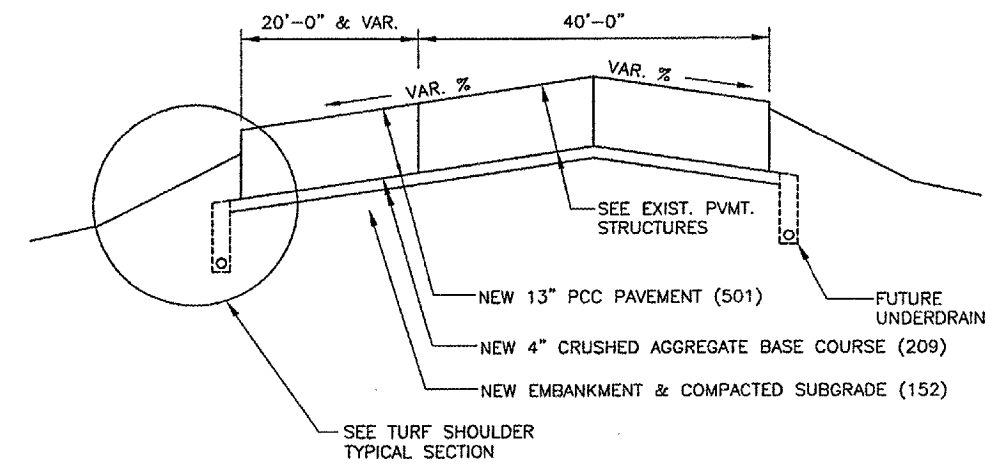


A PARALLEL TAXIWAY A WIDENING **A**
 N.T.S.

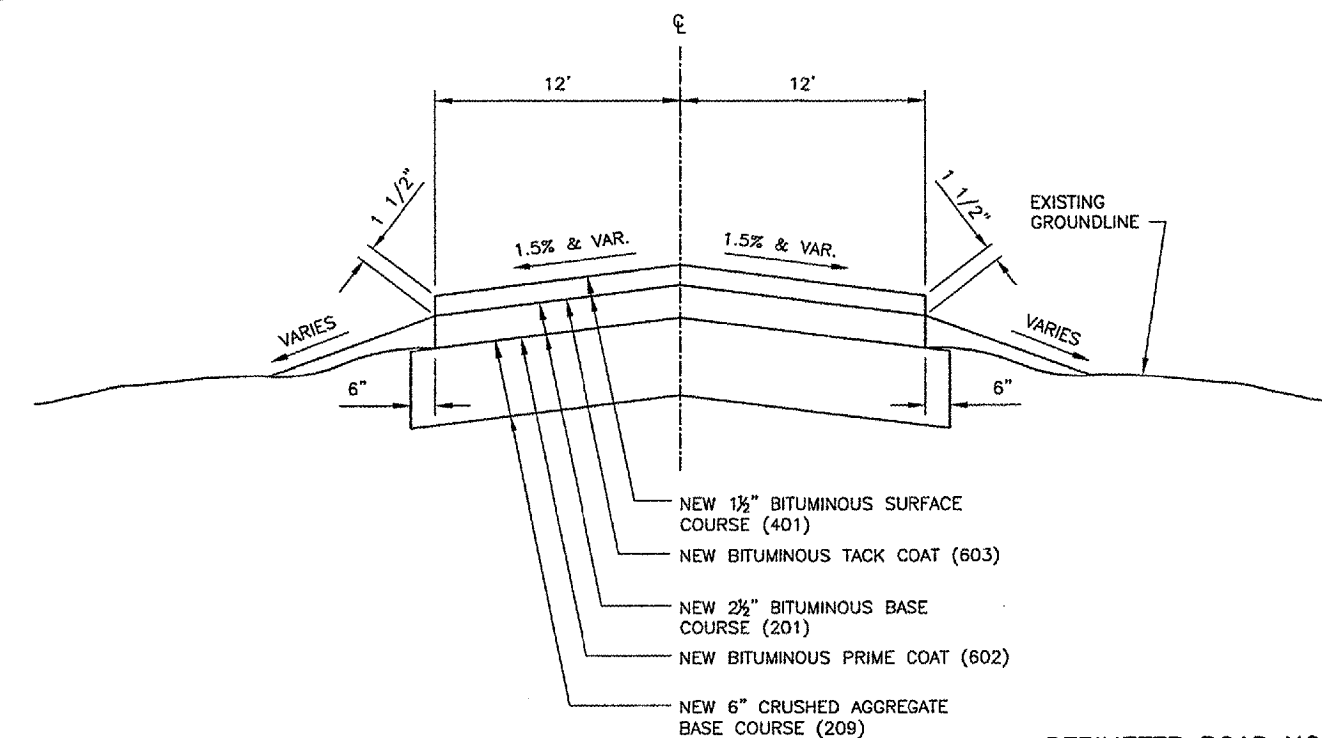


B CONNECTING TAXIWAY A WIDENING **B**
 N.T.S.

- NOTES:**
1. SEE "PROPOSED IMPROVEMENTS" SHEETS FOR SECTION LOCATIONS.
 2. SEE "JOINTING PLANS" FOR JOINT TYPES & LAYOUTS.



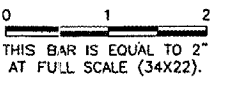
C CONNECTING TAXIWAY G REPLACEMENT & WIDENING **C**
 N.T.S.



D NEW PERIMETER ROAD **D**
 N.T.S.

- PERIMETER ROAD NOTES:**
1. NEW PERIMETER ROAD INCLUDES CROWNED & SINGLE SLOPED PAVEMENTS.
 2. SEE PERIMETER ROAD CROSS SECTIONS FOR DETAILS.

REVISIONS		
NUMBER	BY	DATE



SPRINGFIELD AIRPORT AUTHORITY
 ABRAHAM LINCOLN CAPITAL AIRPORT
 SPRINGFIELD, ILLINOIS

WIDEN TAXIWAY A - CONSTRUCT PERIMETER ROAD
 TYPICAL SECTIONS 1

© Copyright CMT, Inc.
CMT
 CRAWFORD, MURPHY & TULLY, INC.
 CONSULTING ENGINEERS
 License No. 984-000919

DESIGN BY: RLV
 DRAWN BY: DPA
 CHECKED BY: RLV
 APPROVED BY: RLV
 DATE: 1/23/06
 JOB No: 0503507