

REVISIONS

NUMBER	BY	DATE

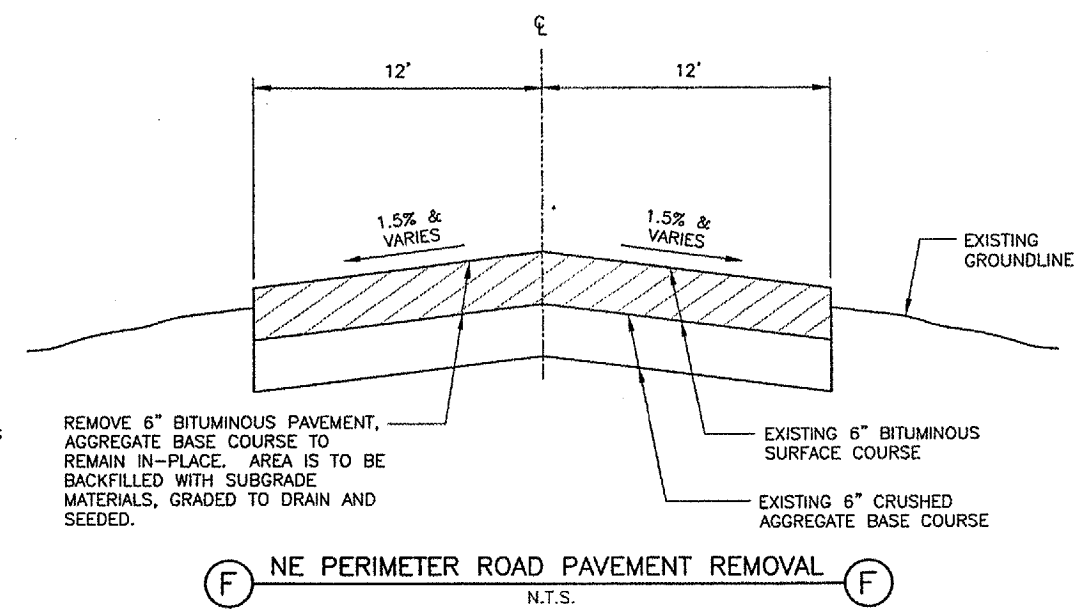
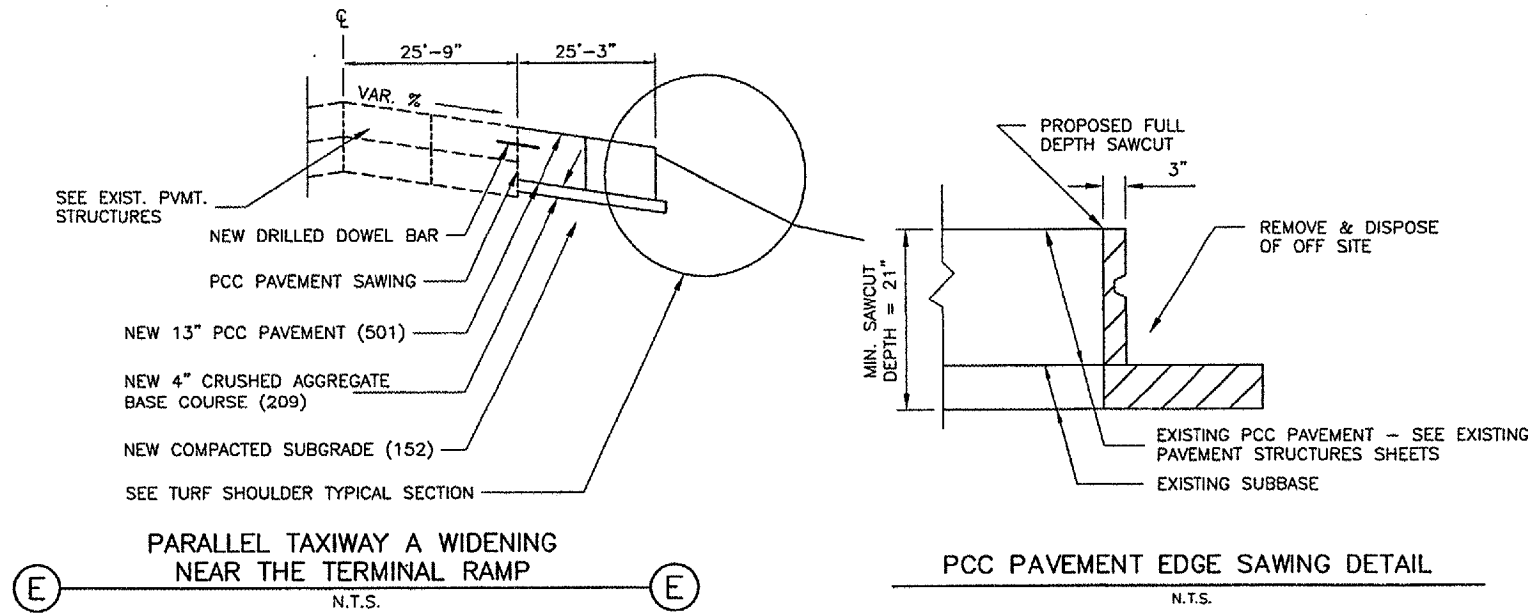
0 1 2  
 THIS BAR IS EQUAL TO 2"  
 AT FULL SCALE (34X22).

SPRINGFIELD AIRPORT AUTHORITY  
 ABRAHAM LINCOLN CAPITAL AIRPORT  
 SPRINGFIELD, ILLINOIS

WIDEN TAXIWAY A - CONSTRUCT PERIMETER ROAD  
 TYPICAL SECTIONS 2

© Copyright CMT, Inc.  
**CMT**  
 CRAWFORD, MARTY & TULLY, INC.  
 CONSULTING ENGINEERS  
 License No. 184-000618

DESIGN BY:	RLV
DRAWN BY:	DPA
CHECKED BY:	RLV
APPROVED BY:	RLV
DATE:	1/23/06
JOB No:	0503507
IL PROJ. NO.	SPI-3555
AIP PROJ. NO.	3-17-0096-44
SHEET	22 OF 83 SHEETS



NOTES:

1. SEE "PROPOSED IMPROVEMENTS" SHEETS FOR SECTION LOCATIONS.
2. SEE "JOINTING PLANS" FOR JOINT TYPES & LAYOUTS.

