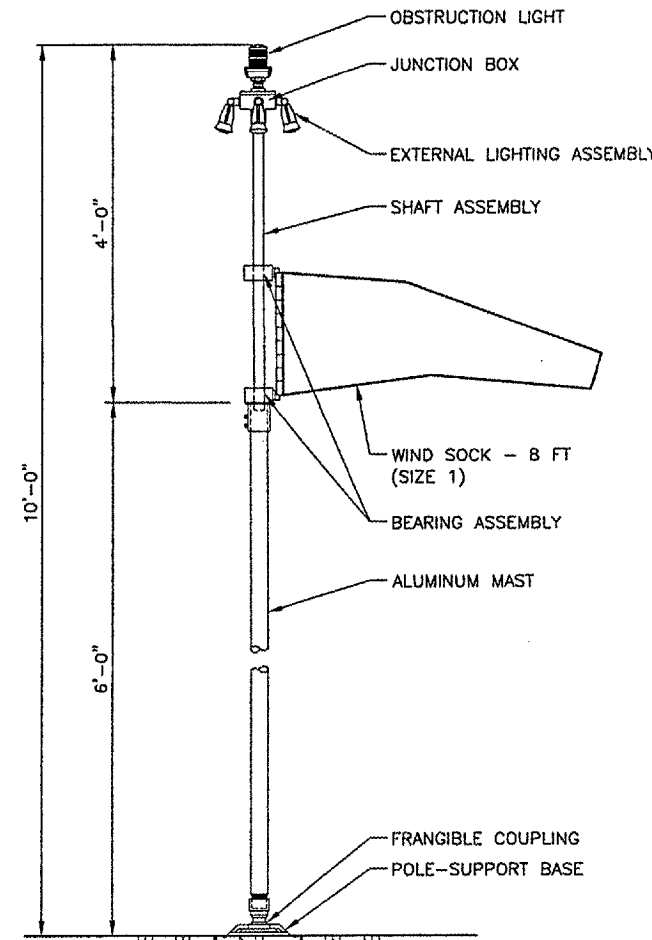
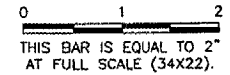


WIND CONE POWER LEGEND

- ① 2" ALUMINUM SUPPORT POST (TYP. OF 2). PROVIDE CAP AT EACH END. WHERE SUPPORT POST IS EMBEDDED IN CONCRETE, IT SHALL RECEIVE ONE COAT, 8 DRY MILS, COAL TAR EPOXY, EPOXYSYSTEMS #210 COAL TAR EPOXY COATING, OR EQUIVALENT.
- ② MINIMUM 1/8" THICK ALUMINUM MOUNTING PANEL, SIZED AS REQUIRED TO MOUNT EQUIPMENT.
- ③ HEAVY-DUTY 30A, 600V UNFUSED DISCONNECT IN NEMA 3R ENCLOSURE, SQUARE D HU361RB, OR EQUIVALENT (NOTE: ONLY ONE POLE OF DISCONNECT WILL BE USED). PROVIDE GROUND LUGS. PROVIDE LABEL READING: "WIND CONE DISCONNECT".
- ④ WIND CONE PHOTOCELL, TORK MODEL #2101, OR EQUIVALENT. (NOTE: PHOTOCELL OPERATION IS AS FOLLOWS: DURING THE DAYTIME THE WIND CONE LIGHTS ARE OFF AND THE OBSTRUCTION LIGHT IS ON; AFTER DARK THE WIND CONE LIGHTS AND OBSTRUCTION LIGHT ARE ON.)
 IMPORTANT NOTE:
 LOCATE DISCONNECT/PHOTOCELL INSTALLATION NEAR WIND CONE SUCH THAT WIND CONE LIGHTS WILL NOT ADVERSELY AFFECT THE PHOTOCELL OPERATION.
- ⑤ NEMA 4 JUNCTION BOX SIZED AS REQUIRED TO HOUSE 10A IN-LINE FUSE AND PHOTOCELL BYPASS SELECTOR SWITCH. PROVIDE LABELS READING: "PHOTOCELL BYPASS" OVER SELECTOR SWITCH AND "FUSE INSIDE" BELOW SELECTOR SWITCH. (SEE WIND CONE SCHEMATIC.)
- ⑥ 12" DIAMETER x 4'-0" DEEP (MIN.) CONCRETE FOUNDATION.
- ⑦ TWO #10 USE, ONE #10 USE GROUND TO EXISTING PANELBOARD IN BAK PIT. MINIMUM BURY: 24". INSTALL IN 3/4" GRSC TO MINIMUM OF 5' FROM DISCONNECT. INSTALL INSULATING BUSHING AND SEAL CONDUIT END TO MAKE WATERTIGHT. DIRECT BURY REMAINING CABLES TO BAK PIT.
- ⑧ ONE #8 GROUND IN 1/2" PVC CONDUIT TO 1" BELOW GRADE.
- ⑨ 3/4" DIAMETER x 10' LONG COPPERCLAD GROUND ROD, MINIMUM BURY: 1'-0". BOND GROUND WIRE TO GROUND ROD USING EXOTHERMIC WELD, CADWELD, OR EQUIVALENT. CLAMPED CONNECTIONS SHALL NOT BE ACCEPTABLE.
- ⑩ TWO #12 USE (OBSTRUCTION LIGHT POWER), TWO #12 USE (WIND CONE LIGHTS POWER), ONE #12 USE GROUND TO WIND CONE. MINIMUM BURY: 24". INSTALL IN 1" GRSC TO MINIMUM OF 5' FROM JUNCTION BOX. INSTALL INSULATING BUSHING AND SEAL CONDUIT END TO MAKE WATERTIGHT. DIRECT BURY REMAINING CABLES TO WIND CONE.
- ⑪ FRANGIBLE COUPLING (TYP. OF 2).

REVISIONS

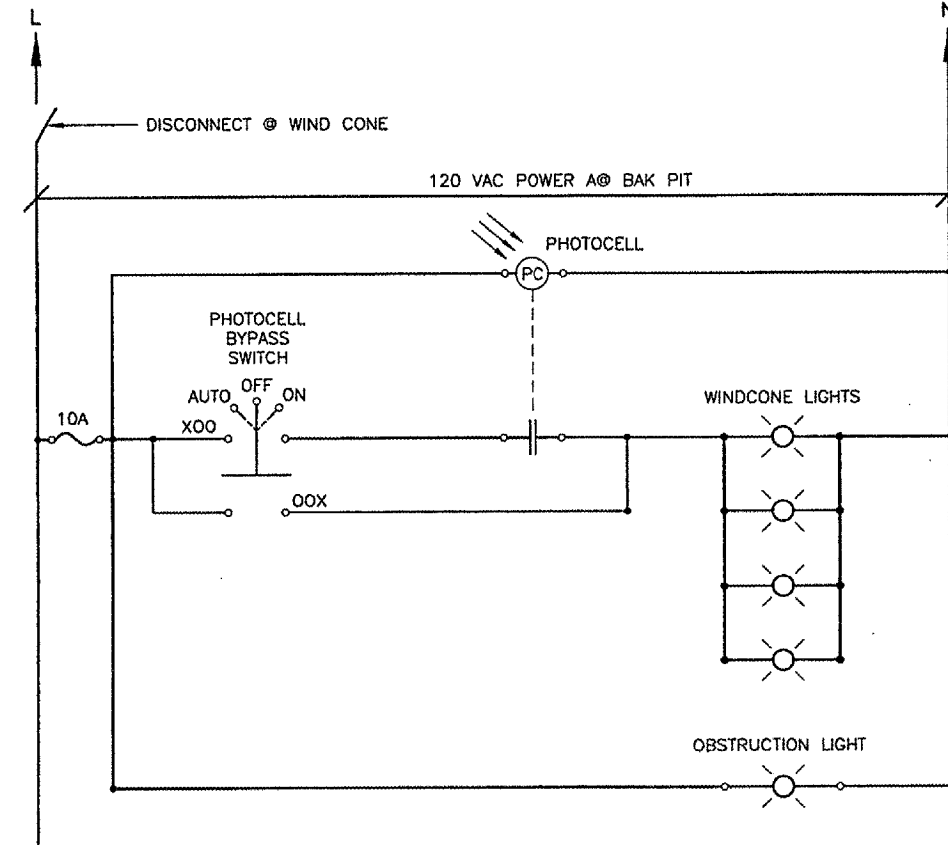
NUMBER	BY	DATE



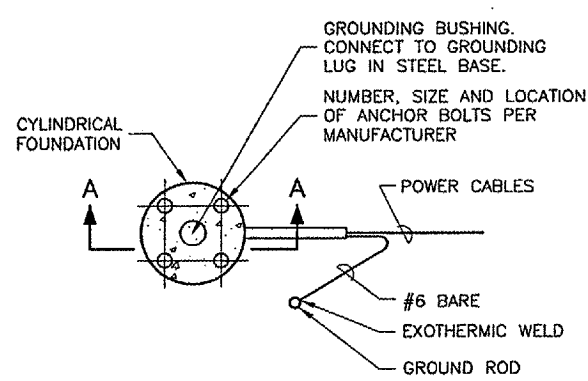
4 #12, USE
 1 #12 GND.
 IN 3/4" GRSC.
 FOUNDATION.
 SEE DETAILS
 THIS SHEET.

TO DISCONNECT INSTALLATION
 INSULATED BUSHING
 (TYP.)

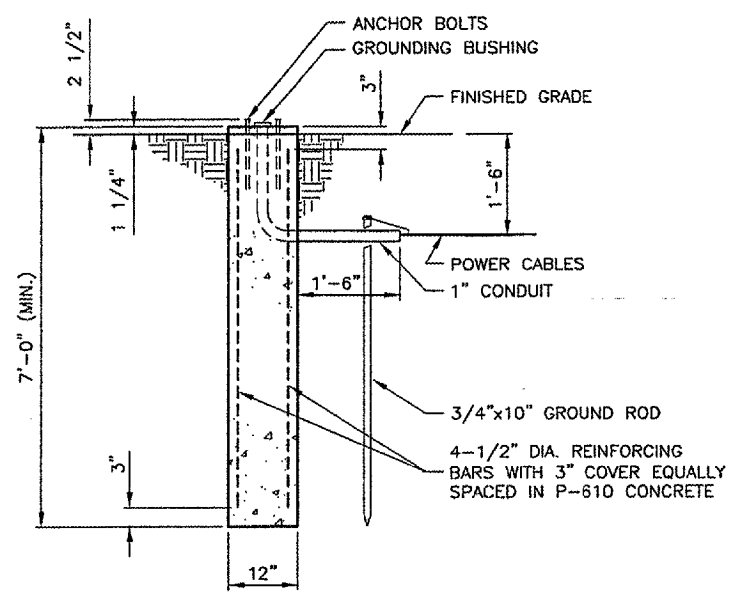
L-806 WIND CONE DETAIL
 N.T.S.



WIND CONE SCHEMATIC
 N.T.S.

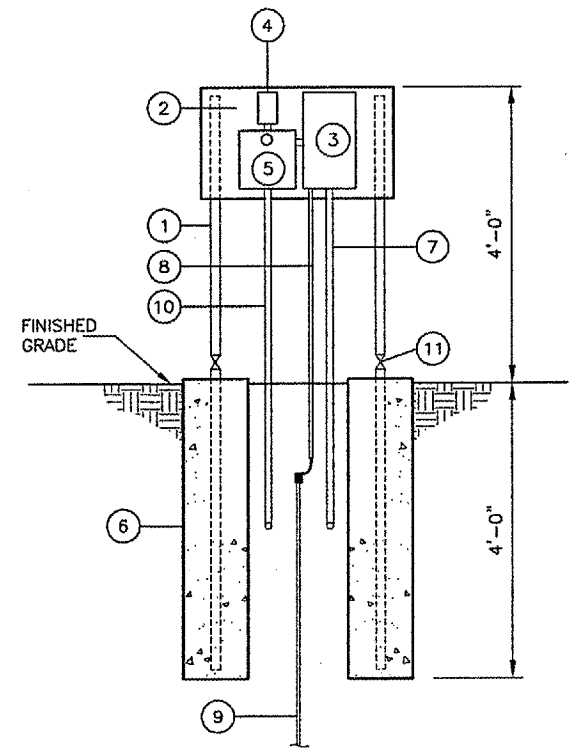


PLAN



SECTION A-A

WIND CONE FOUNDATION
 N.T.S.



WIND CONE POWER DETAIL
 N.T.S.

SPRINGFIELD AIRPORT AUTHORITY
ABRAHAM LINCOLN CAPITAL AIRPORT
SPRINGFIELD, ILLINOIS

WIDEN TAXIWAY A - CONSTRUCT PERIMETER ROAD
SUPPLEMENTAL WIND CONE DETAILS

© Copyright CMT, Inc.
CMT
 CRAWFORD, MURPHY & TILLY, INC.
 CONSULTING ENGINEERS
 License No. 161-006613

DESIGN BY: WDP
 DRAWN BY: DPA
 CHECKED BY: *RM*
 APPROVED BY: *RM*
 DATE: 1/23/06
 JOB No: 0503507
 IL PROJ. NO. SPI-3555
 AIP PROJ. NO. 3-17-0096-44
 SHEET 56 OF 83 SHEETS