

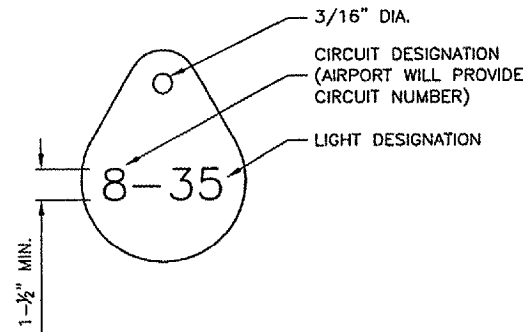
NOTES

INSTALL A NONCORROSIVE DISC OF 2" MINIMUM DIAMETER WITH THE NUMBER PERMANENTLY STAMPED, CUT OUT, OR ENGRAVED UNDER THE HEAD OF THE BASE PLATE BOLT OR ATTACHED TO LIGHT FLANGE WITH SET SCREW.

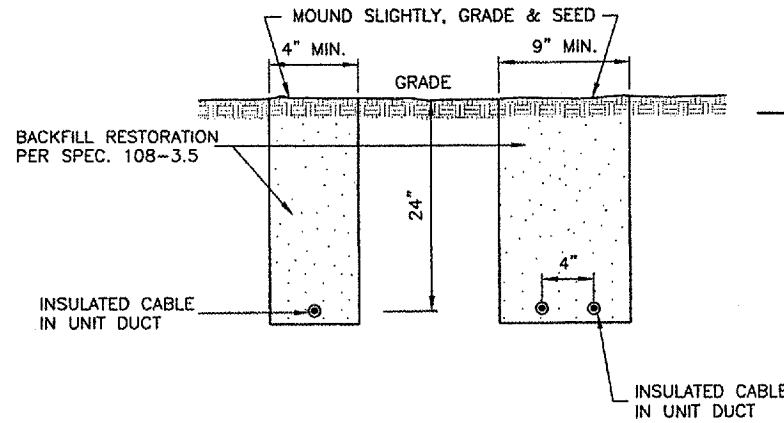
LEGENDS SHOWN ARE FOR ILLUSTRATIVE PURPOSES ONLY. CONTRACTOR TO COORDINATE LEGEND WITH AIRPORT.

THE CONTRACTOR SHALL NUMBER THE EXISTING/PROPOSED LIGHTS AND SIGNS IN EACH CIRCUIT STARTING AT THE HOMERUN CONTINUING AROUND THE ENTIRE CIRCUIT BACK TO THE HOMERUN.

AIRFIELD SIGNS SHALL BE TAGGED & NUMBERED.



LIGHT IDENTIFICATION DETAIL
N.T.S.



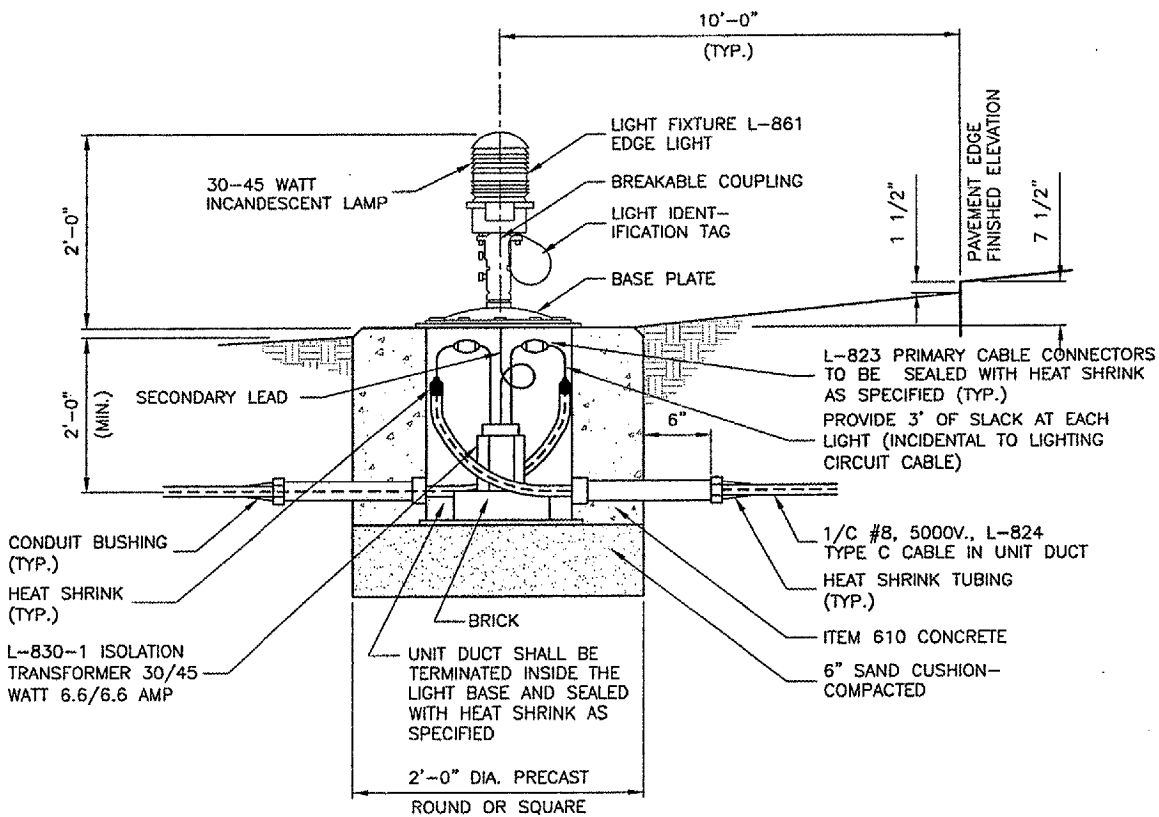
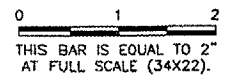
TRENCH DETAIL
N.T.S.

NOTES

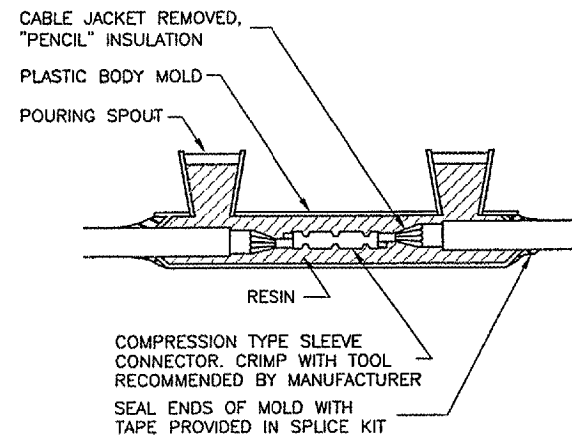
- TRENCHES WITH MORE THAN 2 CABLES SHALL BE INCREASED 3" IN WIDTH FOR EACH ADDITIONAL CABLE. IF SPECIFIED ON PLANS, TWO PARALLEL TRENCHES MAY BE CONSTRUCTED.
- DEPTH OF TRENCHES SHALL BE AS SHOWN ABOVE UNLESS OTHERWISE SPECIFIED ON THE PLANS.
- SAND BACKFILL SHALL BE USED IF THE EXISTING SOIL DOES NOT MEET THE BACKFILL REQUIREMENTS.
- ALL DISTURBED SURFACES SHALL BE RESTORED TO THEIR ORIGINAL CONDITION. COST IS INCIDENTAL TO ITEM 108.

REVISIONS

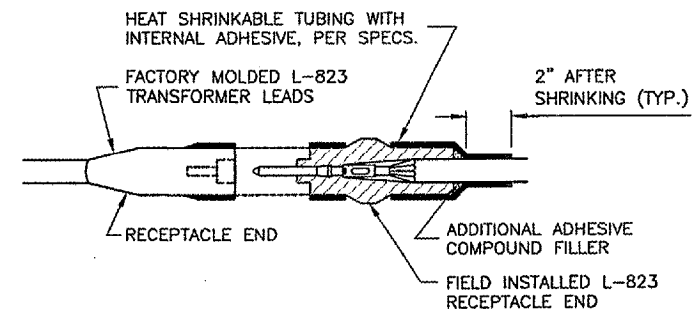
NUMBER	BY	DATE



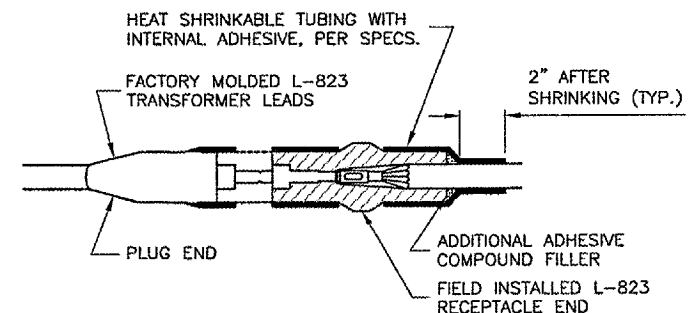
BASE MOUNTED EDGE LIGHTS
N.T.S.



TYPE A
FOR IN-LINE CONNECTIONS OF EXISTING CABLES CUT DURING CONSTRUCTION.



TYPE C
FOR SPLICES AT TAXIWAY LIGHTS AND SIGNS.



TYPE D
FOR SPLICES AT TAXIWAY LIGHTS AND SIGNS.

CABLE SPLICES

N.T.S.
NOTES

- INSIDE DIAMETER OF CONNECTOR SHALL PROPERLY MATCH THE OUTSIDE DIAMETER OF CABLE.
- THE COST OF FURNISHING AND INSTALLING ALL SPLICE MATERIALS SHALL BE INCIDENTAL TO THE ASSOCIATED CABLE ITEMS.
- THE CONTRACTOR SHALL HAVE A MINIMUM OF TWO (2) TYPE A SPLICE KITS ON THE JOB SITE AT ALL TIMES FOR EMERGENCY REPAIRS.

SPRINGFIELD AIRPORT AUTHORITY
ABRAHAM LINCOLN CAPITAL AIRPORT
SPRINGFIELD, ILLINOIS

WIDEN TAXIWAY A - CONSTRUCT PERIMETER ROAD
ELECTRICAL DETAILS 2

© Copyright CMT, Inc.
CMT
 CRAWFORD, MURPHY & TILLY, INC.
 CONSULTING ENGINEERS
 License No. 184-000618

DESIGN BY: RLV
 DRAWN BY: DPA
 CHECKED BY: *RW*
 APPROVED BY: *RW*
 DATE: 1/23/06
 JOB No: 0503507
 IL PROJ. NO. SPI-3555
 AIP PROJ. NO. 3-17-0096-44
 SHEET 58 OF 83 SHEETS