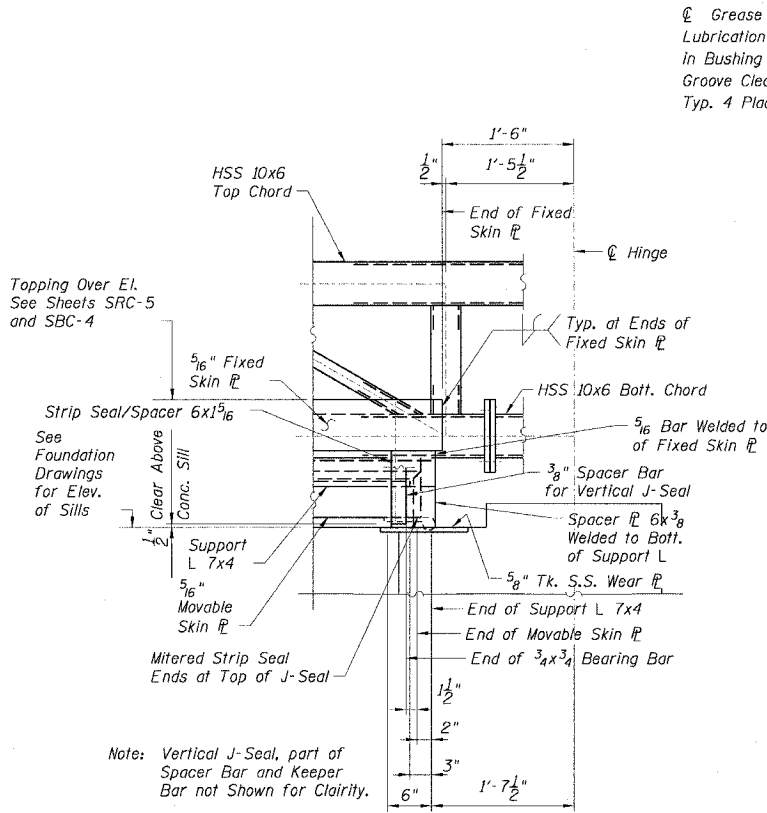
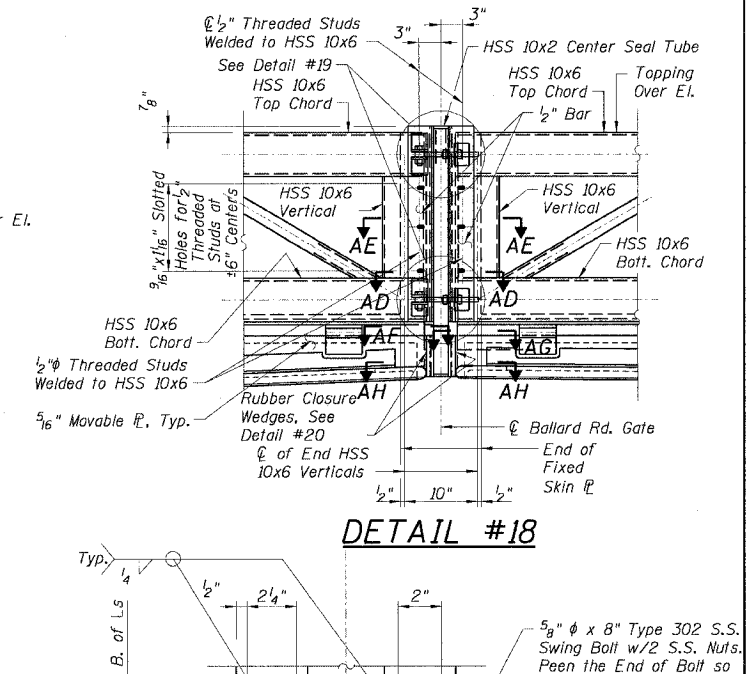
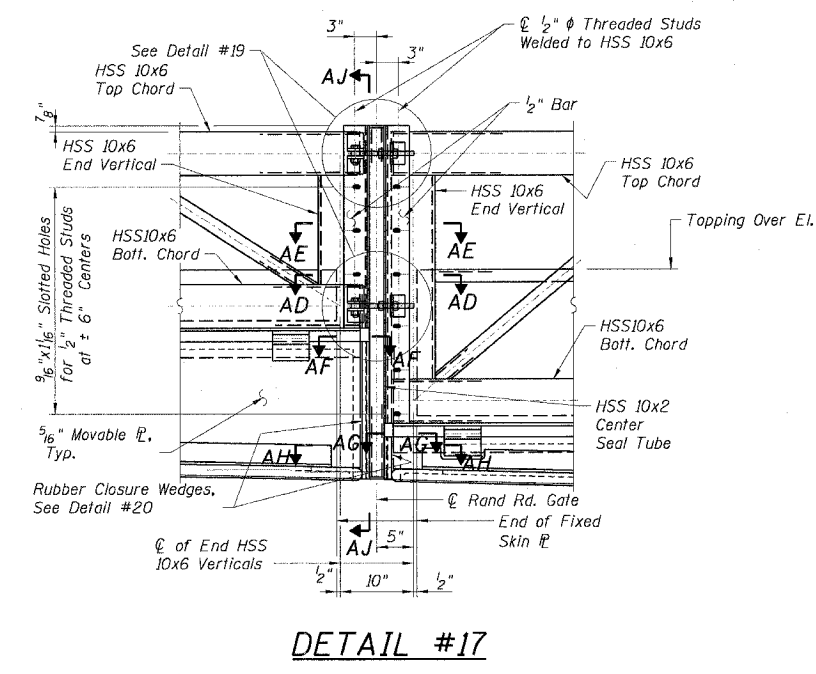
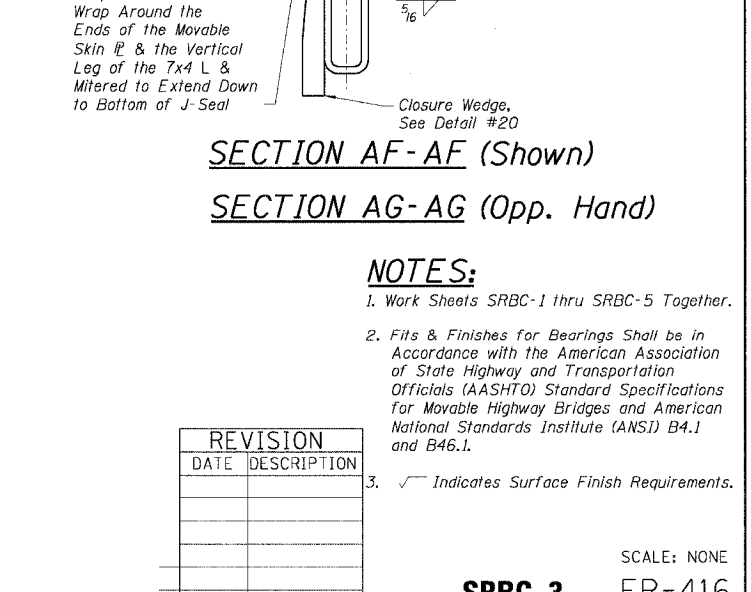
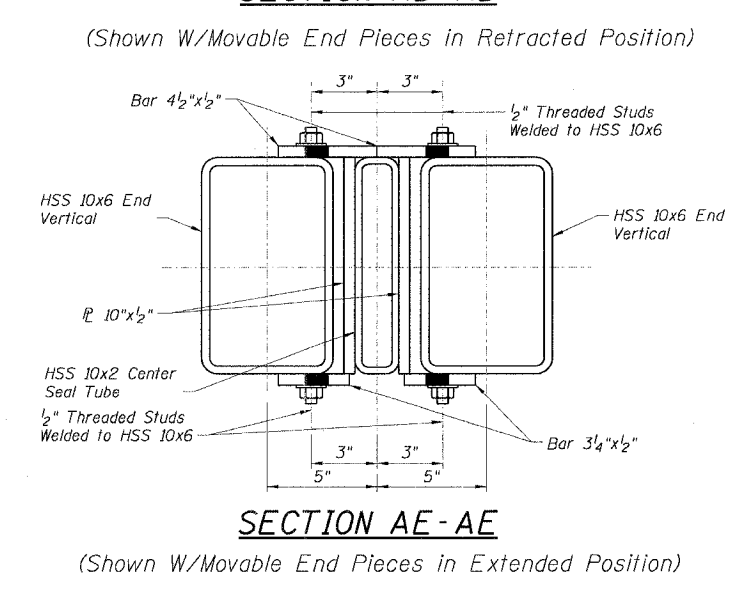
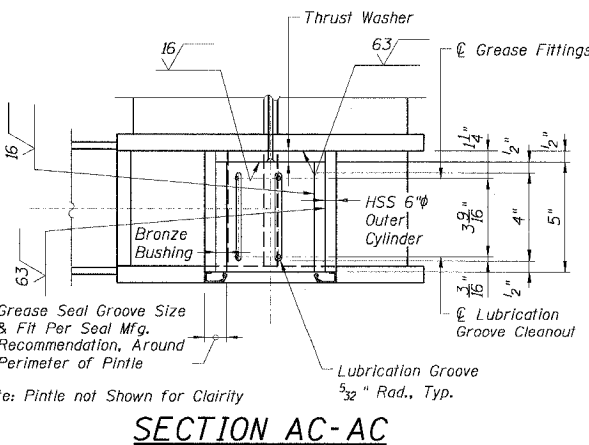
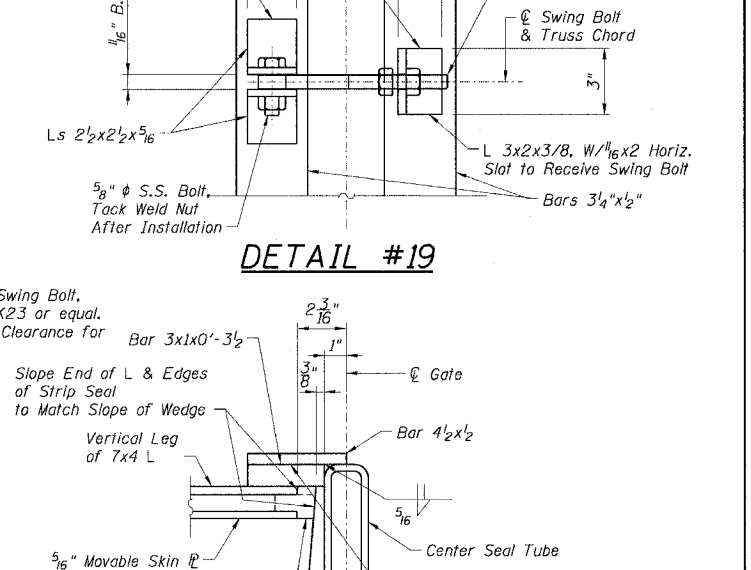
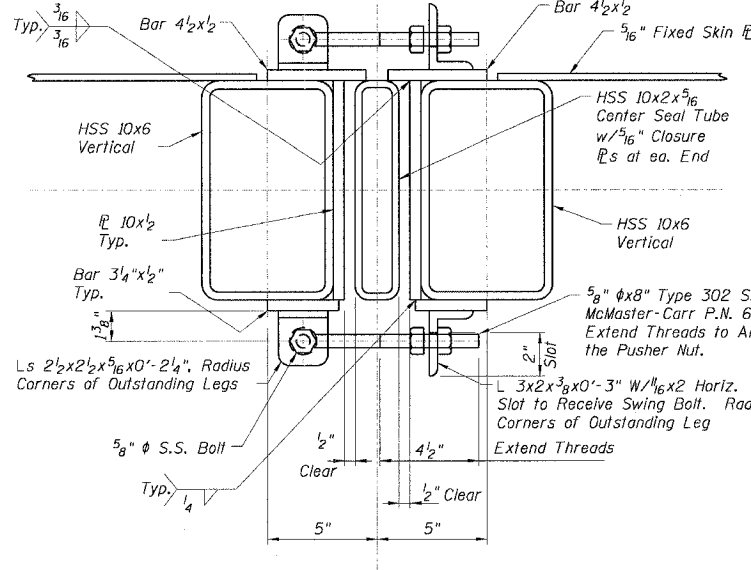
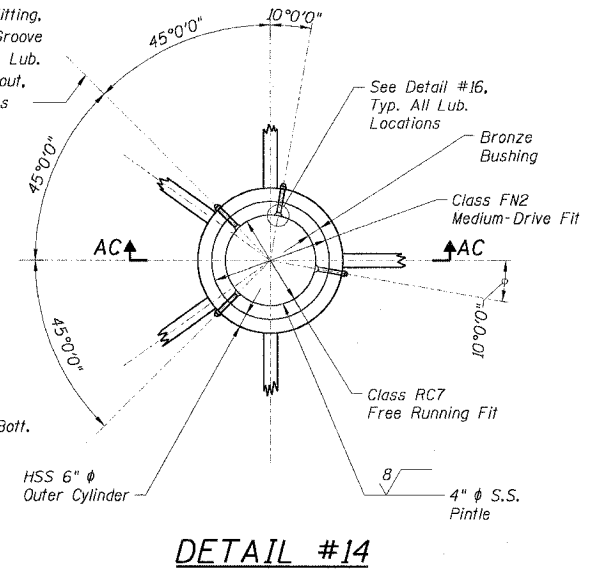


Strip Seal/Spacer 6"x 1 5/16", Molded to Wrap under the 3/8" Spacer PL on the Wet Side to Provide a Surface for the Mitered J-Seal to Seat Against When Closed and under the 3/8" Spacer Bar for Vertical J-Seal on the Dry Side



Topping Over El. See Sheets SRC-5 and SBC-4

Note: Vertical J-Seal, part of Spacer Bar and Keeper Bar not Shown for Clarity.



- NOTES:**
1. Work Sheets SRBC-1 thru SRBC-5 Together.
 2. Fits & Finishes for Bearings Shall be in Accordance with the American Association of State Highway and Transportation Officials (AASHTO) Standard Specifications for Movable Highway Bridges and American National Standards Institute (ANSI) B4.1 and B46.1.
 3. ✓ Indicates Surface Finish Requirements.

REVISION	
DATE	DESCRIPTION

PLANS PREPARED BY:
CTE | AECOM

CTE
303 East Wacker Drive, Suite 600, Chicago, Illinois 60601-6276
T 312.938.0300 F 312.938.1109 www.cte.aecom.com

SCALE: NONE
SRBC-3 FR-416