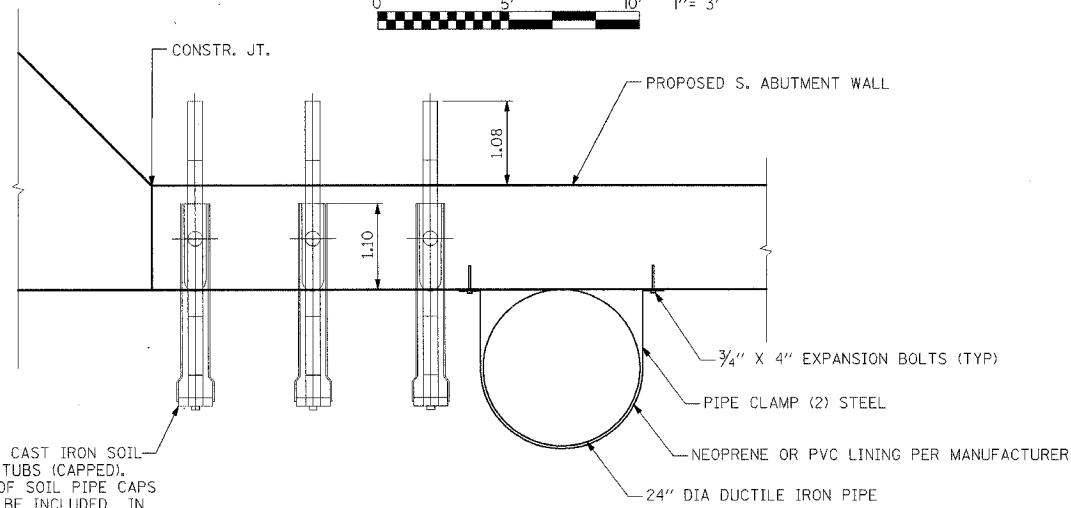
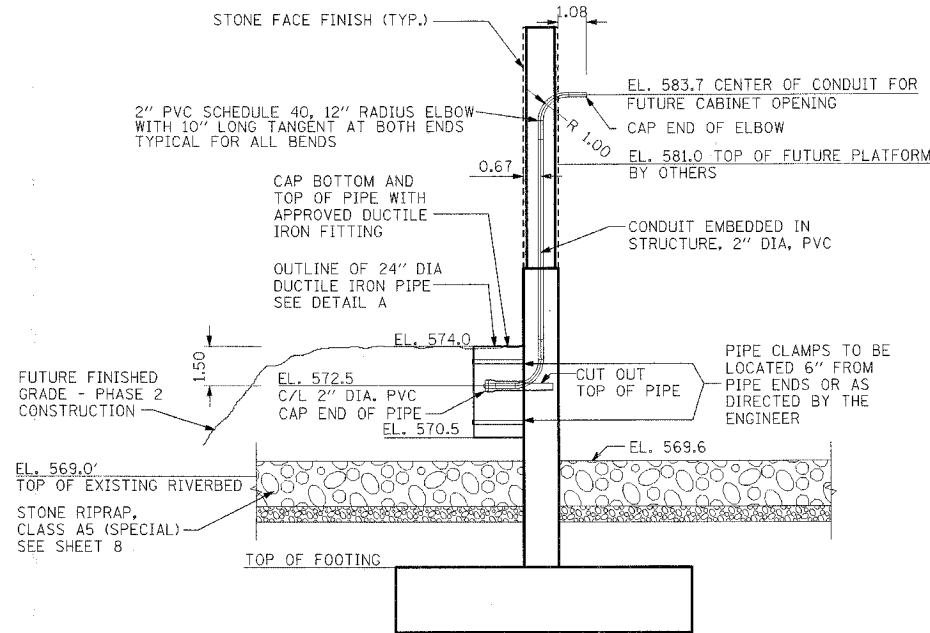


PLAN



DETAIL A

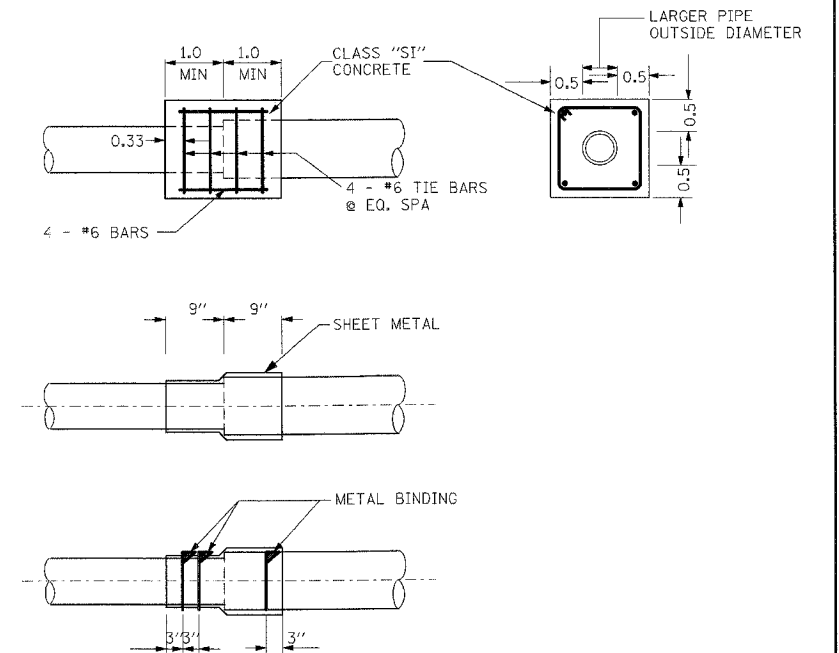
CONDUIT EMBEDDED IN CONCRETE AND DUCTILE IRON PIPE PROTECTION



SECTION A - A



- NOTE:
- 24" DUCTILE IRON PIPE, PIPE CLAMPS, EXPANSION BOLTS AND LINING WILL BE PAID FOR AT THE CONTRACT LUMP SUM PRICE FOR "DUCTILE IRON PIPE PROTECTION SYSTEM"
  - 2" PVC SCHEDULE 40, 12" RADIUS ELBOWS, AND ALL OTHER PVC FITTINGS SHALL BE PAID AT THE CONTRACT UNIT PRICE PER FOOT FOR "CONDUIT EMBEDDED IN STRUCTURE, 2" DIA, PVC"



CONSTRUCTION SEQUENCE

- CUT THE EXISTING END OF THE PIPE SO AS TO PRESENT A FLUSH BUTT JOINT, BRUSH AND CLEAN ALL PIPES.
- APPLY THE MASTIC JOINT SEALANT TO THE FIRST (6") OF EACH PIPE.
- BUTT THE PIPES TOGETHER LEAVING A MINIMUM OF 12" x 6" DEEP EXCAVATION UNDER AND AROUND EACH PIPE END.
- CUT A PIECE OF SHEET METAL GAGE NO. 19 18" WIDE BY THE OUTSIDE CIRCUMFERENCE OF THE LARGER PIPE PLUS 3" LONG.
- WRAP THE SHEET METAL AROUND THE PIPES, 9" ON EACH SIDE OF THE JOINT, STARTING AT THE TOP OF THE PIPE.
- LAP THE SHEET METAL AT LEAST 3" AT THE TOP OF THE PIPE AND PLACE THE MASTIC JOINT SEALANT BETWEEN THE LAP.
- PLACE THREE METAL BANDS AROUND THE SHEET METAL AND TIGHTEN.
- WIPE OFF ANY EXCESS MASTIC JOINT SEALANT THAT OZZES OUT FROM BETWEEN THE SHEET METAL AND THE PIPES.
- PLACE CLASS SI CONCRETE AROUND THE JOINT.

DETAIL OF CLASS "SI" CONCRETE COLLAR

BILL OF MATERIALS

ITEM	UNIT	QUANTITY
CONDUIT EMBEDDED IN STRUCTURE, 2" DIA, GALVANIZED STEEL	FT	29.8
CONDUIT EMBEDDED IN STRUCTURE, 2" DIA, PVC	FT	42.7
DUCTILE IRON PIPE PROTECTION SYSTEM	L SUM	1
CAST IRON SOIL PIPE 4"	FOOT	7.9

S:\DOCUMENT\02348801\CIVIL\DGN\DET000XJ.DGN  
11-17-24  
DRAGASMZ  
1-13-2005

Designed By MD  
Checked By RUM  
Drawn By MD  
Checked By RUM