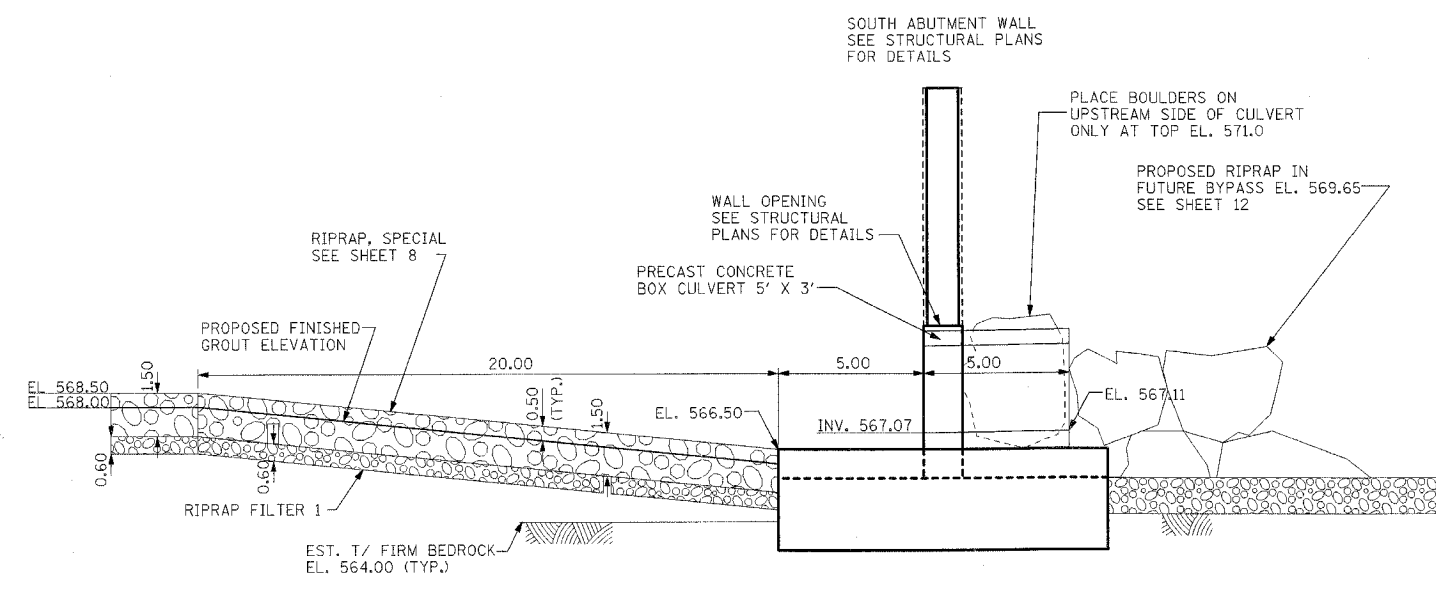
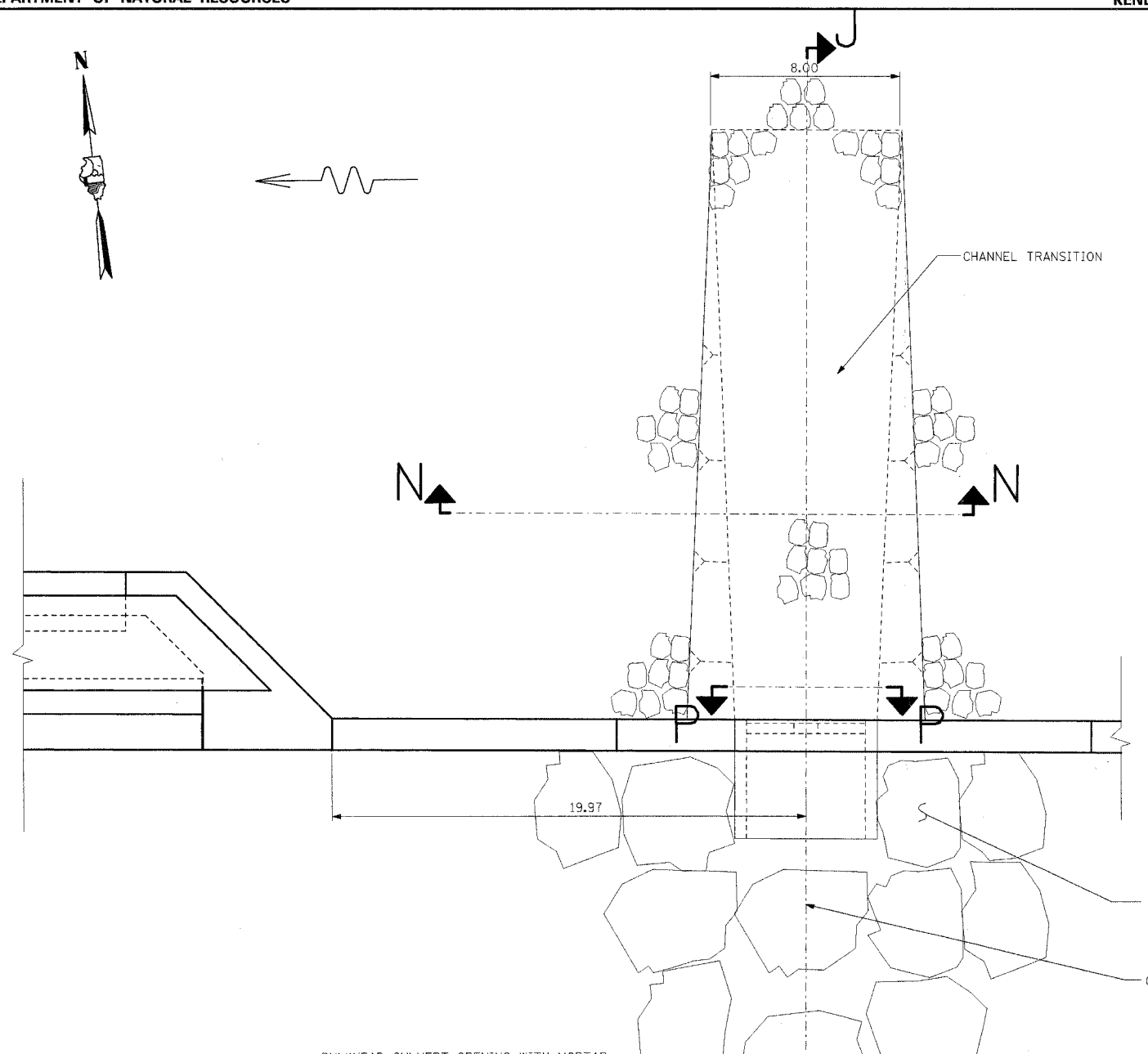
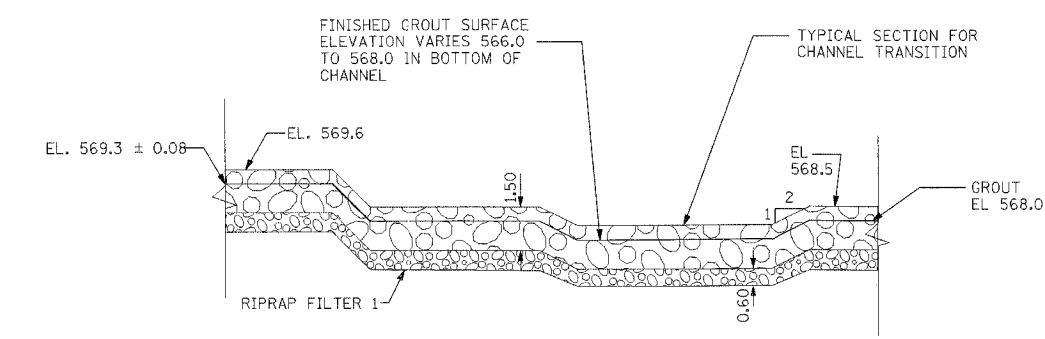


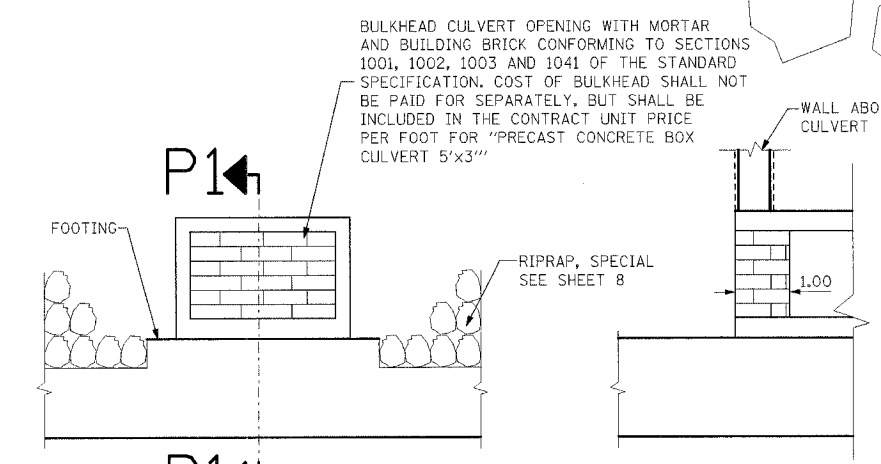
S:\DOCUMENT\02348801\CIVIL\DGN\DE7000XM.DGN
 DRAGASMZ
 1-13-2005
 11:47:22
 Designed By MD
 Drawn By MD
 Checked By RUM
 Checked By RUM



**5' X 3' BOX CULVERT SECTION
SECTION J - J**



**SECTION N - N
N. T. S.**



**SECTION P - P
N. T. S.**

**SECTION P1 - P1
N. T. S.**

CHANNEL TRANSITION DETAILS

BILL OF MATERIALS

ITEM	UNIT	QUANTITY
PRECAST CONCRETE BOX CULVERT 5' X 3'	FOOT	5.0

