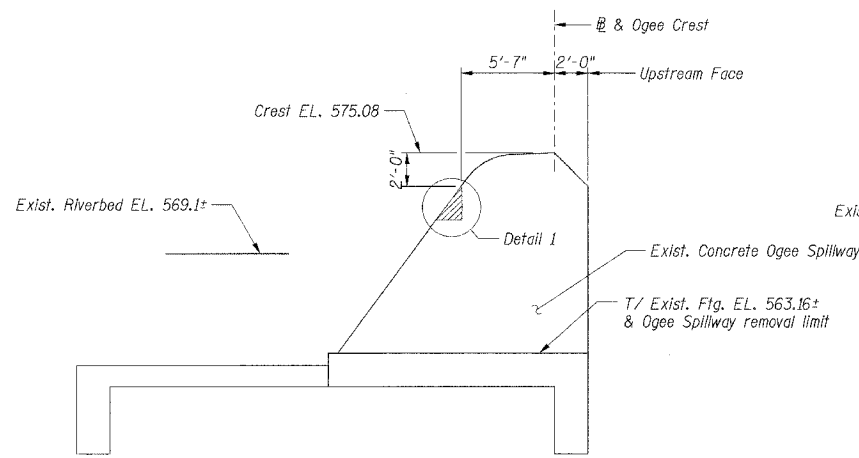
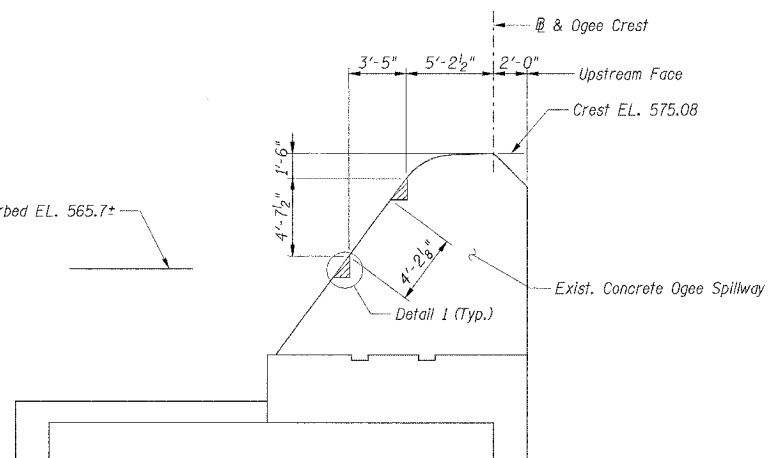


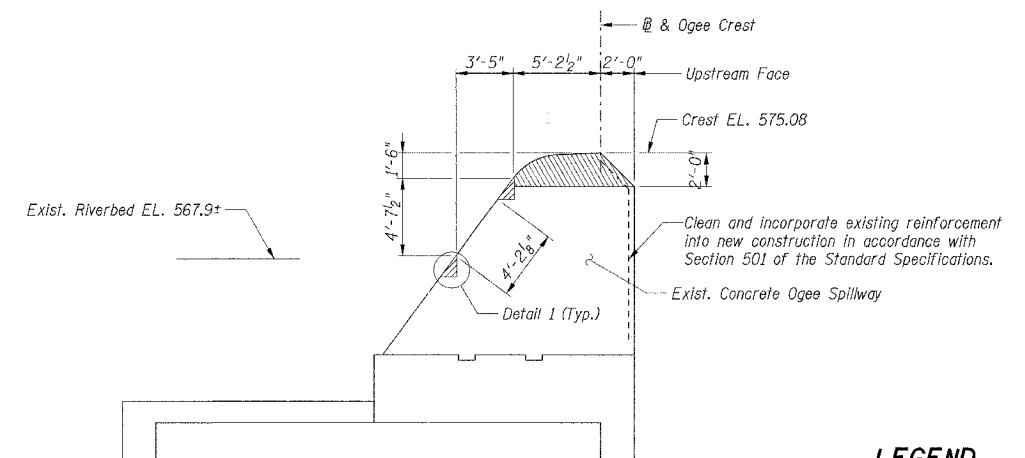
**PLAN**



**SECTION A-A**



**SECTION B-B**



**SECTION C-C**

**LEGEND**

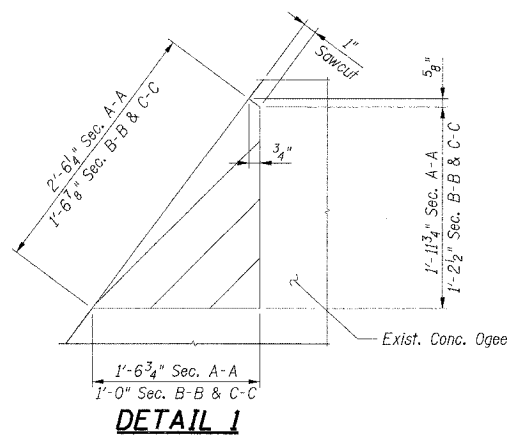
- Partial concrete removal
- Full concrete removal

**Notes:**

1. Existing plans indicate reinforcement on back face of Ogee Spillway only.
2. Sawcut shall be perpendicular to Ogee Spillway face.

**BILL OF MATERIAL**

Item	Unit	Total
Concrete Removal	Cu yd	64.3



**DETAIL 1**

Designed BY RDS Checked BY NIK  
 Drawn BY RDS Checked BY NIK  
 User: unfiled 07/24/2006 10:57:15 AM  
 H:\Work\Projects\Yorkville\Sheet Files\18.rvt