

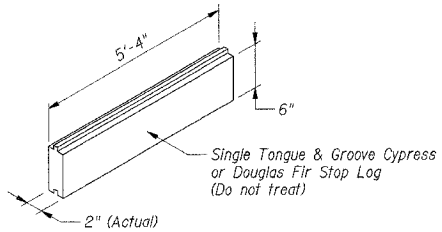
**GRATING PLAN**

Furnishing and installing grating clips, supporting steel (beams, channels, angles, bolts, nuts, washers and epoxy anchors) shall be included in pay item "Galvanized Welded Steel Bar Grating".

**BILL OF MATERIAL**

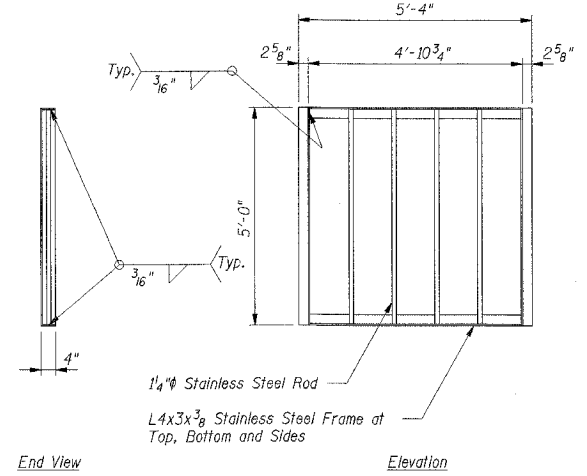
Material	Sq. Ft.	Qty
Galvanized Welded Steel Bar Grating	820	1
Stainless Steel Debris Grate	1	1

**SECTION C-C**

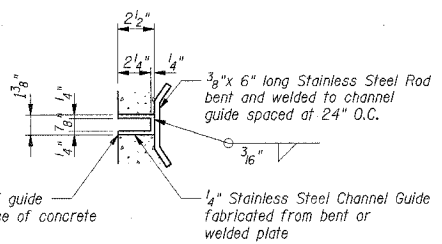


**STOP LOG DETAIL**  
(22 Required)

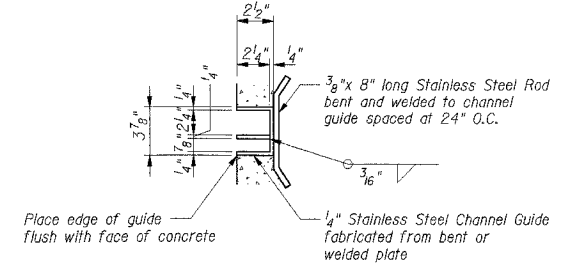
Cost of furnishing and installing Stop Logs and Stop Log guides shall be included in pay item "Concrete Structures".



**STAINLESS STEEL DEBRIS GRATE**



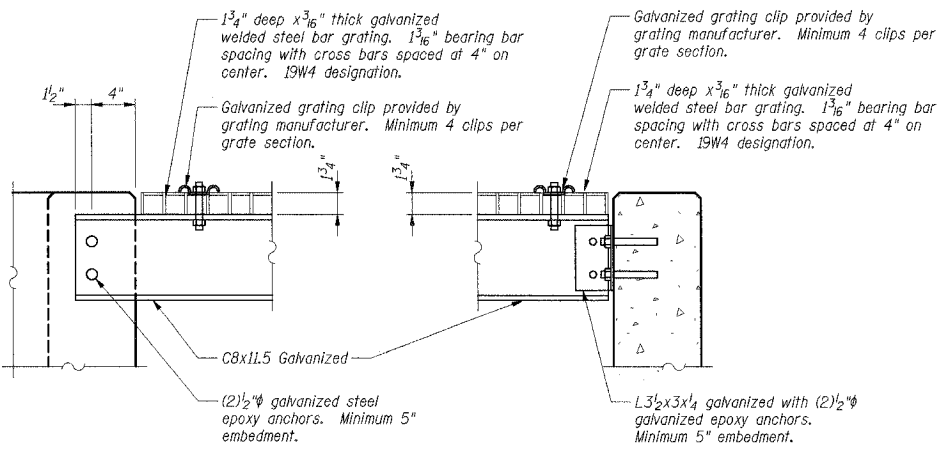
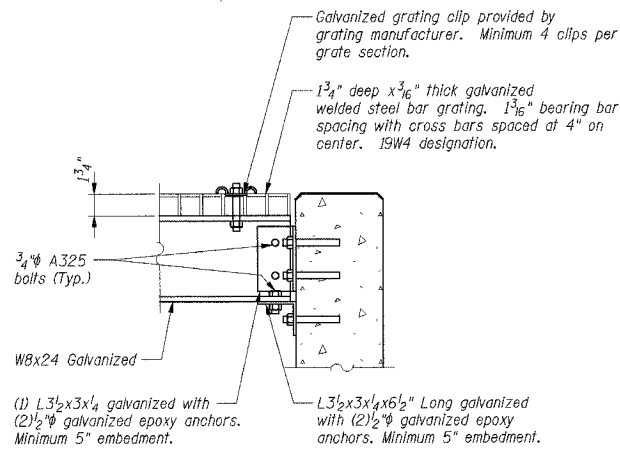
**CHANNEL GUIDE DETAIL**  
(2 Required)



**DOUBLE CHANNEL GUIDE DETAIL**  
(2 Required)

**SECTION A-A**

**SECTION B-B**



DESIGNED BY MEF CHECKED BY BGC  
 DRAWN BY NDD CHECKED BY BGC  
 DATE 11-20-06  
 PROJECT YORKVILLE DAM - MULTI-PURPOSE DAM PROJECT - PHASE 1 - STEPPED SPILLWAY AND AUXILIARY IMPROVEMENTS