

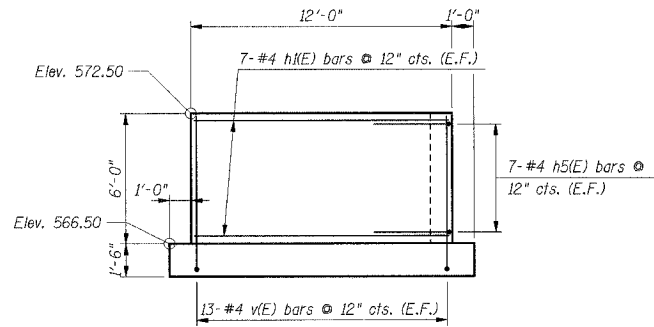
**ELEVATION - SOUTH WALL** 6  
(Looking North)

**BILL OF MATERIAL**

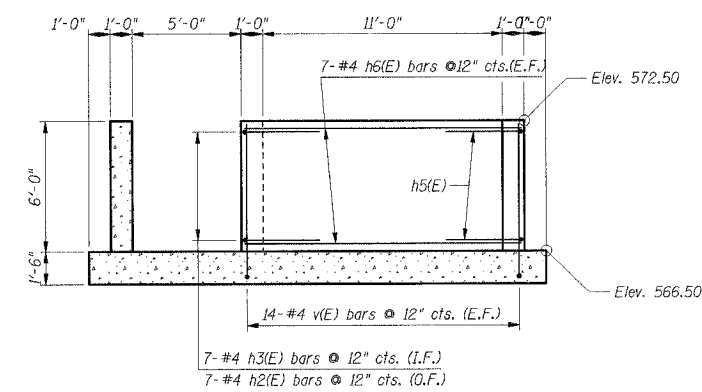
Bar	No.	Size	Length	Shape
a(E)	18	#5	15'-6"	
b(E)	21	#8	8'-9"	
b1(E)	19	#5	6'-6"	
h(E)	14	#4	12'-6"	
h1(E)	14	#4	11'-6"	
h2(E)	14	#4	4'-0"	
h3(E)	14	#4	4'-5"	
h4(E)	14	#5	18'-6"	
h5(E)	14	#4	7'-0"	
h6(E)	14	#4	12'-6"	
h7(E)	10	#5	21'-0"	
h8(E)	6	#5	9'-6"	
h9(E)	16	#5	17'-6"	
h10(E)	14	#5	4'-8"	
h11(E)	14	#5	5'-1"	
h12(E)	32	#5	15'-6"	
h13(E)	16	#5	11'-0"	
h14(E)	108	#5	15'-2"	
h15(E)	32	#5	12'-6"	
h16(E)	24	#5	17'-2"	
h17(E)	20	#5	16'-0"	
h18(E)	28	#4	3'-4"	
h19(E)	8	#4	10'-4"	
h20(E)	4	#4	4'-10"	
s(E)	12	#4	4'-8"	
s1(E)	10	#3	3'-11"	
t(E)	160	#5	10'-4"	
t1(E)	131	#8	11'-8"	
t2(E)	29	#6	10'-10"	
t3(E)	30	#5	20'-4"	
v(E)	112	#4	7'-8"	
v1(E)	90	#6	6'-10"	
v2(E)	50	#4	5'-9"	
v3(E)	37	#4	7'-9"	
v4(E)	412	#7	9'-1"	
v5(E)	56	#6	7'-6"	
v6(E)	50	#5	6'-9"	
v7(E)	50	#5	8'-4"	
v8(E)	56	#5	9'-2"	
v9(E)	172	#6	9'-10"	
v10(E)	9	#5	11'-8"	
v11(E)	56	#5	6'-0"	
v12(E)	50	#5	4'-9"	
v13(E)	40	#6	17'-6"	
v14(E)	15	#5	11'-8"	
v15(E)	8	#4	8'-4"	
v16(E)	20	#4	3'-10"	
w(E)	24	#5	13'-4"	
w1(E)	40	#5	20'-2"	
w2(E)	80	#5	28'-8"	
Concrete Structures		Cu. Yd.	192.9	
Reinforcement Bars, Epoxy Coated		Pound	31,740	

**MIN. BAR LAPS**

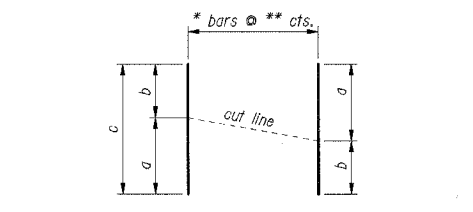
- #4 = 2'-6"
- #5 = 3'-2"
- #5 = 3'-8" (Top Bar)
- #6 = 3'-10"



**ELEVATION - WEST WALL** 3  
(Looking East)



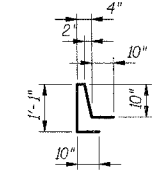
**SECTION - WALL** 4  
(Looking North)



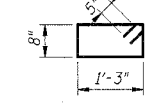
Bar	a	b	c	*	**
v10(E)	7'-2"	4'-6"	11'-8"	9	18"
v13(E)	9'-6"	8'-0"	17'-6"	40	10"
v14(E)	7'-2"	4'-6"	11'-8"	15	10"

**BARS v10(E) & v13(E)**

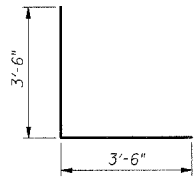
Order bars full length. Cut as shown and use half of bars in each face or opposite wall of channel.



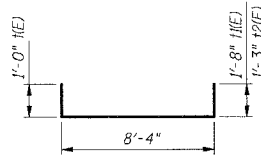
**BAR s1(E)**



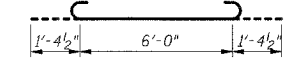
**BAR s(E)**



**BAR h5(E)**



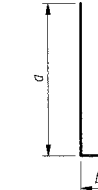
**BARS t(E), t1(E), & t2(E)**



**BAR b(E)**

Bar	a	b
h2(E)	1'-0"	3'-0"
h3(E)	1'-5"	3'-0"
h10(E)	1'-0"	3'-8"
h11(E)	1'-5"	3'-8"
h18(E)	1'-0"	2'-4"

**BARS h2(E), h3(E), h10(E), h11(E) & h18(E)**



Bar	a	b
v(E)	6'-10"	0'-10"
v1(E)	5'-7"	1'-3"
v4(E)	7'-7"	1'-6"
v5(E)	6'-3"	1'-3"
v6(E)	5'-9"	1'-0"
v16(E)	2'-10"	1'-0"

**BARS v(E), v1(E), v4(E), v5(E), v6(E) & v16(E)**

Reinforcement bars designated (E) shall be epoxy coated.

DESIGNED BY: MEF  
 DRAWN BY: NDD  
 CHECKED BY: BOC  
 DATE: 1-23-2006  
 PROJECT: STATE OF ILLINOIS DEPARTMENT OF NATURAL RESOURCES  
 PROJECT NO.: 02488001