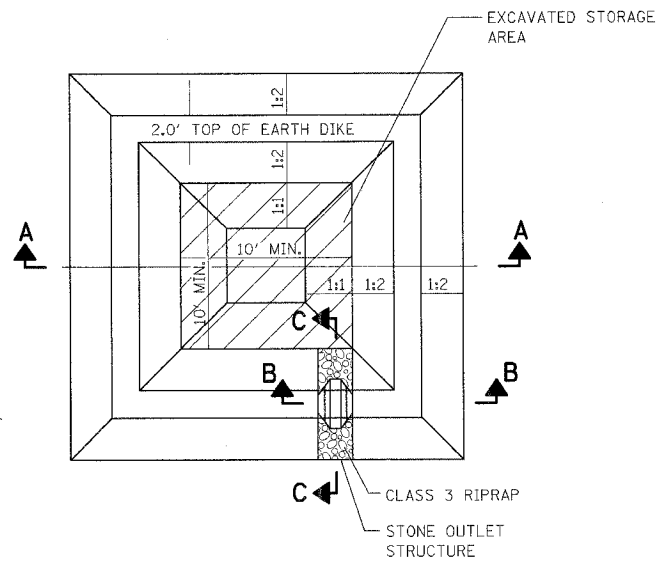
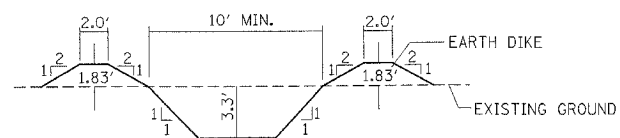


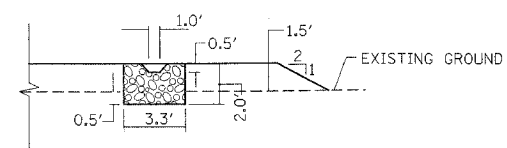
SILT FILTER FENCE AS PERIMETER EROSION BARRIER



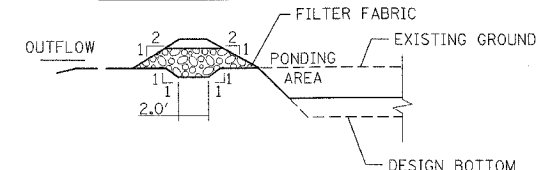
PLAN VIEW



SECTION A-A



SECTION B-B



SECTION C-C

- NOTES:
1. ANY DEWATERING OF THE CONSTRUCTION AREA SHALL BE FILTERED THROUGH A DEWATERING BASIN PRIOR TO ENTERING THE WATERWAY.
  2. PUMPING INTO THESE BASINS SHALL CEASE WHEN THE EFFLUENT FROM THE BASIN BECOMES SEDIMENT LADEN. THE BASIN MAY BE BYPASSED IF THE WATER BEING PUMPED IS NON SEDIMENT LADEN AND THERE IS A STABILIZED OUTFALL. SURFACE FLOWS SHALL BE DIVERTED AROUND THE DEVICE.
  3. THE DEWATERING BASIN SHALL BE EXCAVATED TO A MINIMUM DEPTH OF 3FT WITH A FLAT BOTTOM.
  4. ONCE THE DEWATERING BASIN BECOMES FILLED TO 1/2 OF THE EXCAVATED DEPTH, ACCUMULATED SEDIMENT SHALL BE REMOVED.
  5. THE OUTFALL FROM THE BASIN(S) SHALL HAVE A STABILIZED CONVEYANCE TO RECEIVING WATERS.
  6. THE MINIMUM VOLUME OF THE CONSTRUCTION DEWATERING DISCHARGE BASIN (DEAD VOLUME) SHALL BE CALCULATED AS: DEWATERING PUMP CAPACITY IN GAL/MINUTE X 16 = REQUIRED VOLUME IN CUBIC FEET
  7. DEWATERING BASINS SHALL NOT BE PAID FOR SEPARATELY BUT SHALL BE INCLUDED IN THE CONTRACT LUMP SUM BID PRICE FOR "TEMPORARY COFFERDAM SYSTEM".

**DEWATERING BASINS**

STANDARD SYMBOL



S:\DOCUMENT\02348801\CIVIL\DGN\STD000Y9.DGN  
 11:48:22  
 DRAGAS/MZ  
 1-13-2005

Designed By: MD  
 Drawn By: MD  
 Checked By: RUM  
 Checked By: RUM