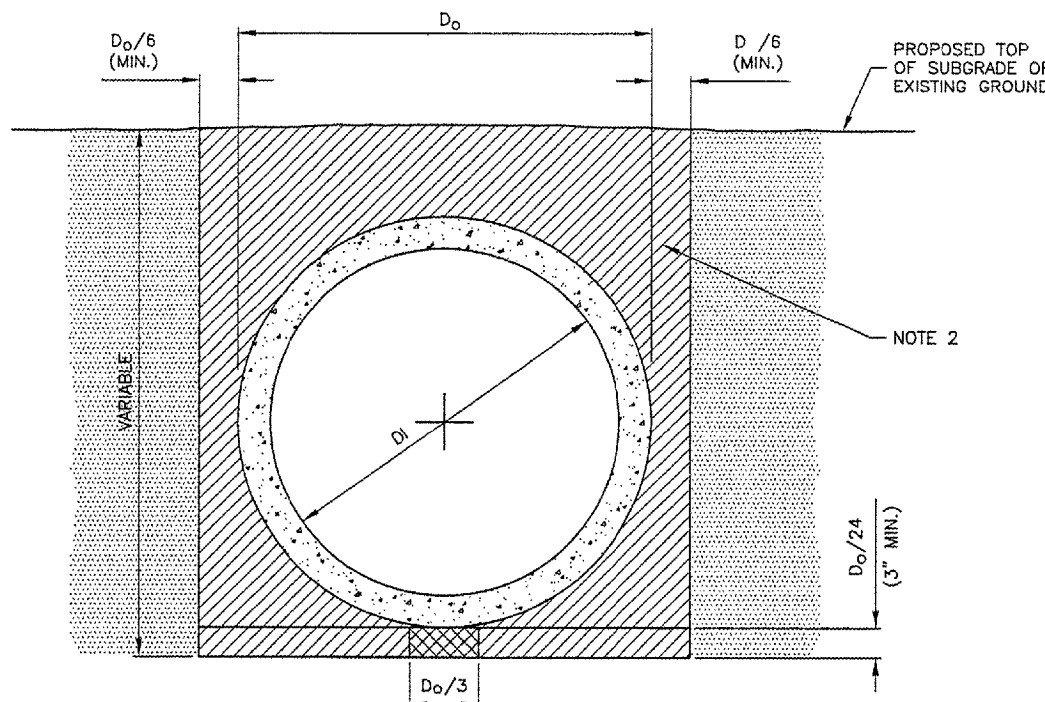


STANDARD TRENCH INSTALLATION
 NON-PAVED AREA

N.T.S.



STANDARD TRENCH INSTALLATION
 PROPOSED PAVED AREAS

N.T.S.

LEGEND

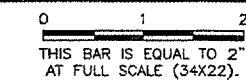
- DRAINAGE CONDUIT MATERIAL-CONCRETE
- MIDDLE BEDDING LOOSELY PLACED UNCOMPACTED BEDDING
- HAUNCH AND OUTER BEDDING COMPACTION- 95% STANDARD PROCTOR
- LOWER SIDE AND OVERFILL COMPACTION- SAME AS EMBANKMENT REQUIREMENTS

D_0 PIPE OUTSIDE DIAMETER
 D_1 PIPE INSIDE DIAMETER

- NOTES**
- BEDDING SHOWN IS IN ACCORDANCE WITH "STANDARD EMBANKMENT INSTALLATIONS", STANDARD INSTALLATION & BEDDING FACTORS FOR THE INDIRECT DESIGN METHOD (DESIGN DATA 40), AMERICAN CONCRETE PIPE ASSOCIATION.
 - BACKFILL TO EXTEND 3' BEYOND EDGES OF PROPOSED PAVEMENT.

REVISIONS

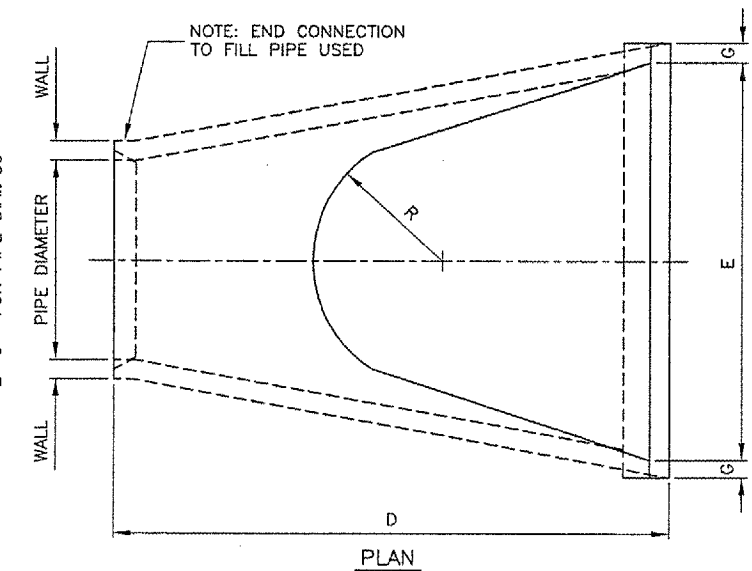
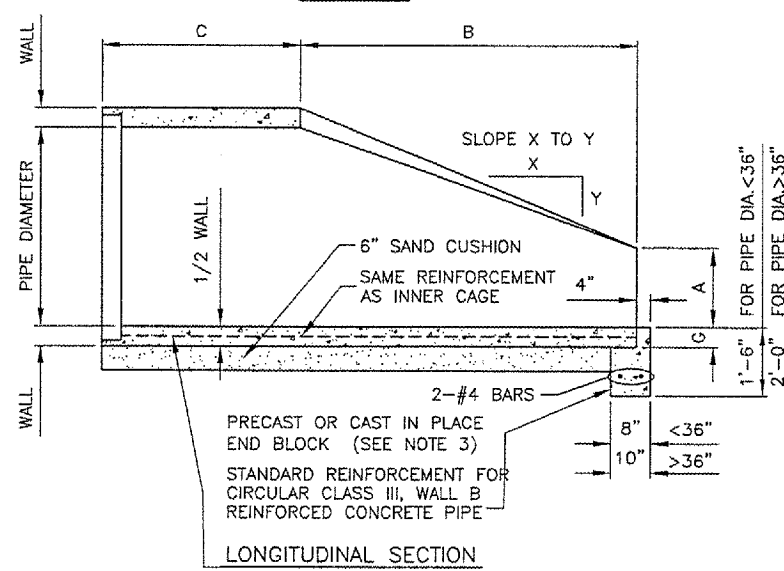
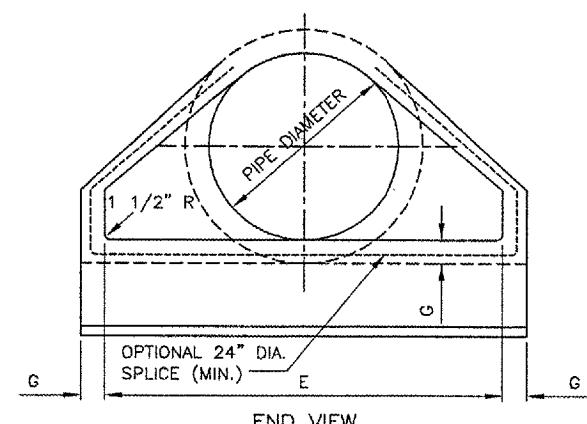
NUMBER	BY	DATE



DIMENSIONS - TABLE 1

PIPE DIA.	APPROX WT. (lbs.)	WALL	A	B	C	D	E	G	R	SLOPE
12"	530	2"	4"	2'-0"	4'-0 7/8"	6'-0 7/8"	2'-0"	2"	9"	3:1
15"	740	2 1/4"	6"	2'-3"	3'-10"	6'-1"	2'-6"	2 1/4"	11"	3:1
18"	990	2 1/2"	9"	2'-3"	3'-10"	6'-1"	3'-0"	2 1/2"	12"	3:1
21"	1280	2 3/4"	9"	2'-11"	3'-2"	6'-1"	3'-6"	2 3/4"	13"	3:1
24"	1520	3"	9 1/2"	3'-7 1/2"	2'-6"	6'-1 1/2"	4'-0"	3"	14"	3:1
27"	1930	3 1/4"	10 1/2"	4'-0"	2'-1 1/2"	6'-1 1/2"	4'-6"	3 1/4"	14 1/2"	3:1
30"	2190	3 1/2"	1'-0"	4'-6"	1'-7 3/4"	6'-1 3/4"	5'-0"	3 1/2"	15"	3:1
33"	3200	3 3/4"	1-1 1/2"	4'-10 1/2"	3'-3 1/4"	8'-1 3/4"	5'-6"	3 3/4"	17 1/2"	3:1
36"	4100	4"	1'-3"	5'-3"	2'-10 3/4"	8'-1 3/4"	6'-0"	4"	20"	3:1
42"	5380	4 1/2"	1'-9"	5'-3"	2'-11"	8'-2"	6'-6"	4 1/2"	22"	3:1
48"	8550	5"	2'-0"	6'-0"	2'-2"	8'-2"	7'-0"	5"	22"	3:1
54"	8240	5 1/2"	2'-3"	5'-5"	2'-11"	8'-4"	7'-6"	5 1/2"	24"	2.4:1
60"	8730	6"	2'-11"	5'-0"	3'-3"	8'-3"	8'-0"	5"	*	2:1
66"	10710	6 1/2"	2'-6"	6'-0"	2'-3"	8'-3"	8'-6"	5 1/2"	*	2:1
72"	12520	7"	3'-0"	6'-6"	1'-9"	8'-3"	9'-0"	6"	*	1.86:1
78"	14770	7 1/2"	3'-0"	7'-6"	1'-9"	9'-3"	9'-6"	6 1/2"	*	1.82:1
84"	18160	8"	3'-0"	7'-6 1/2"	1'-9"	9'-3 1/2"	10'-0"	6 1/2"	*	1.5:1

* RADIUS AS FURNISHED BY MANUFACTURER.



PRECAST REINFORCED CONCRETE FLARED END SECTION
 (I.D.O.T. STD. NO. 542301)

N.T.S.

- NOTES**
- PRECAST CONCRETE FLARED END SECTIONS SHALL CONFORM TO THE APPLICABLE REQUIREMENTS OF AASHTO M-170 CLASS III, WALL B REINFORCED CONCRETE PIPE.
 - PRECAST CONCRETE FLARED END SECTION FOR PIPE DIAMETER REQUIRED SHALL BE AS INDICATED ON DETAIL PLAN FOR EACH INDIVIDUAL INSTALLATION.
 - THE END BLOCK SHALL BE PLACED PRIOR TO THE INSTALLATION OF THE FLARED END SECTION. THE END BLOCK SHALL BE BACKFILLED IN ACCORDANCE WITH ITEM 701.

VERMILION COUNTY AIRPORT
 DANVILLE, ILLINOIS
 EXTEND PARALLEL TAXIWAY 600 FEET
 DRAINAGE DETAILS 1

© Copyright CMT, Inc.
CMT
 CRAWFORD, MURPHY & TILLY, INC.
 CONSULTING ENGINEERS
 License No. 184-000813

DESIGN BY: JEF
 DRAWN BY: DPA
 CHECKED BY: SMH
 APPROVED BY: JEF
 DATE: 01/13/2006
 JOB No: 05042-0300
 ILLINOIS PROJECT DNV-3537
 A.I.P. PROJECT 3-17-0032-B10
 SHEET 10 OF 29 SHEETS