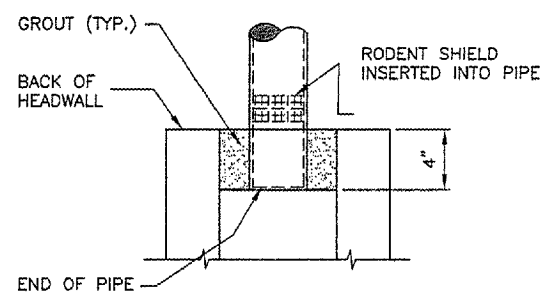
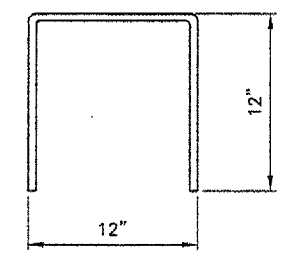


REVISIONS		
NUMBER	BY	DATE

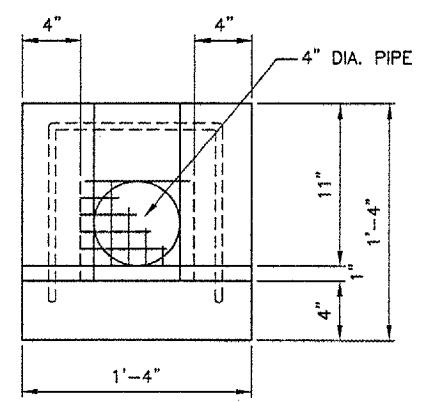
0 1 2  
 THIS BAR IS EQUAL TO 2" AT FULL SCALE (34X22).



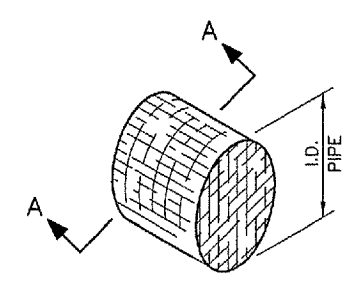
RODENT SHIELD PLACEMENT  
 N.T.S.



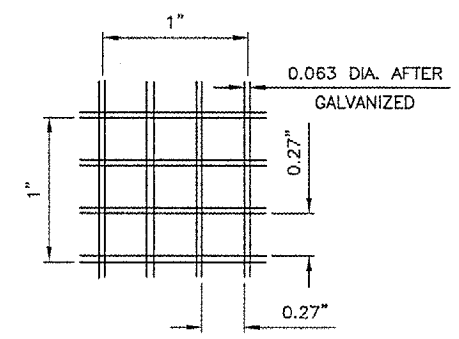
BAR H  
 N.T.S.



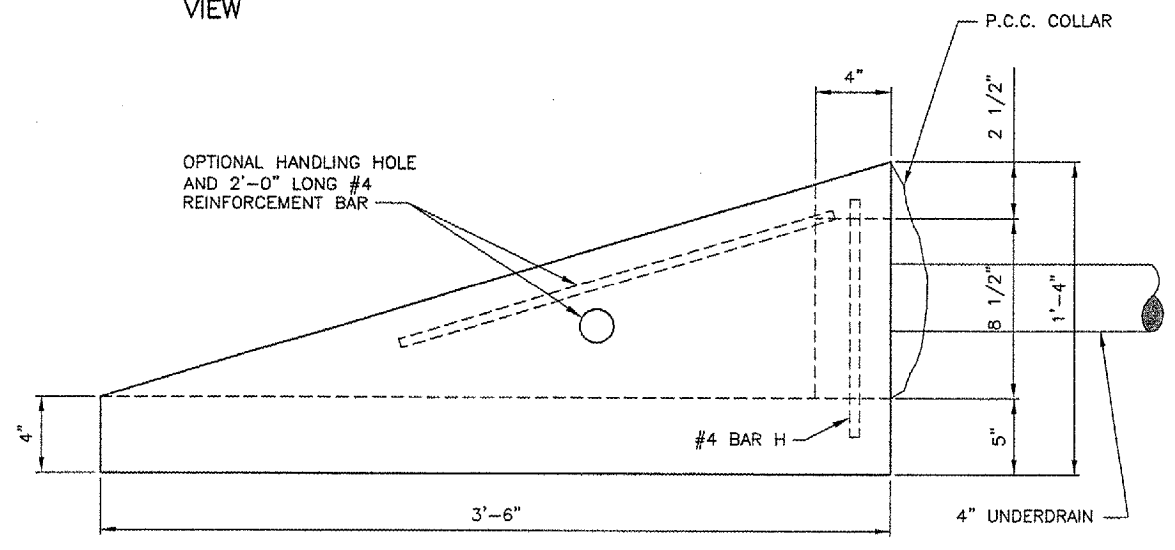
FRONT VIEW



RODENT SHIELD DETAIL  
 N.T.S.



SECTION A-A  
 N.T.S.



SIDE VIEW  
CONCRETE HEADWALL FOR PIPE DRAIN  
 I.D.O.T. STANDARD NO. 601101 (AR70561.0)  
 N.T.S.

VERMILLION COUNTY AIRPORT  
 DANVILLE, ILLINOIS  
 EXTEND PARALLEL TAXIWAY 600 FEET  
 DRAINAGE DETAILS 2

© Copyright CMT, Inc.  
**CMT**  
 CRAWFORD, MURPHY & TILLY, INC.  
 CONSULTING ENGINEERS  
 License No. 184-000618

DESIGN BY:	CMT
DRAWN BY:	CMT
CHECKED BY:	SMH
APPROVED BY:	JEF
DATE:	01/13/2006
JOB No:	05042-0300
ILLINOIS PROJECT DNV-	3537
A.I.P. PROJECT	3-17-0032-B10
SHEET	11 OF 29 SHEETS