

REVISIONS

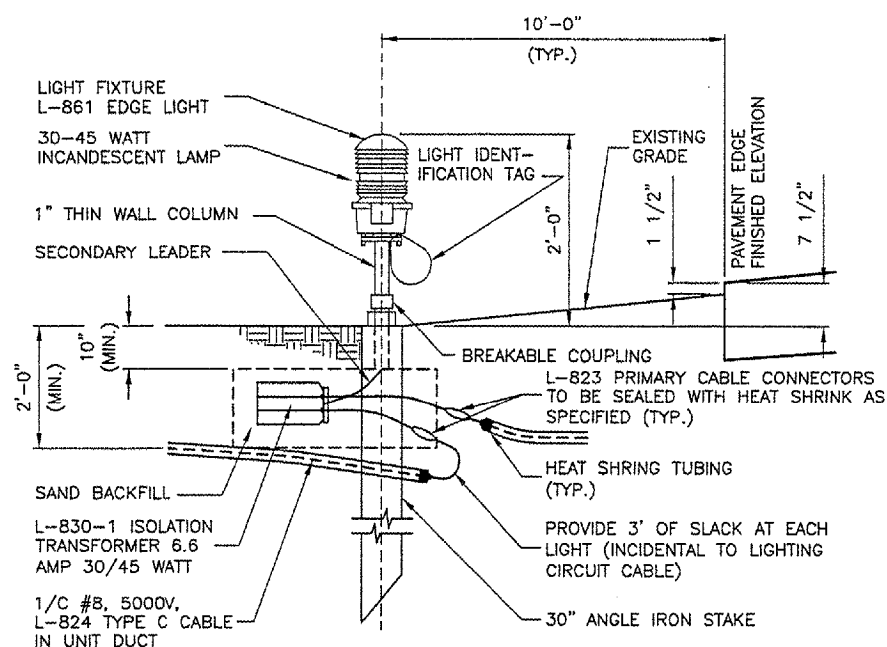
NUMBER	BY	DATE

0 1 2
 THIS BAR IS EQUAL TO 2" AT FULL SCALE (34X22).

VERMILION COUNTY AIRPORT
 DANVILLE, ILLINOIS
 EXTEND PARALLEL TAXIWAY 600 FEET
 ELECTRICAL DETAILS SHEET 1

© Copyright: CMT, Inc.
CMT
 CRAWFORD, MURPHY & TILLY, INC.
 CONSULTING ENGINEERS
 License No. 184-000813

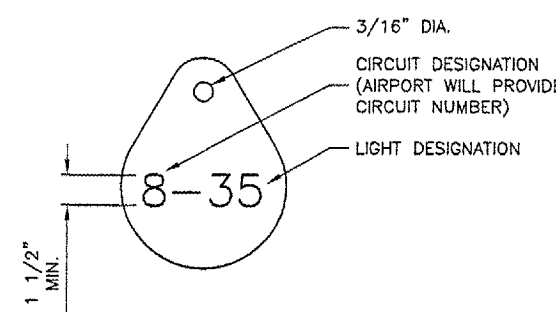
DESIGN BY:	JEF
DRAWN BY:	DPA
CHECKED BY:	SMH
APPROVED BY:	JEF
DATE:	01/13/2006
JOB No:	05042-0300
ILLINOIS PROJECT DRV--3537	
A.I.P. PROJECT 3-17-0032-B10	
SHEET	16 OF 29 SHEETS



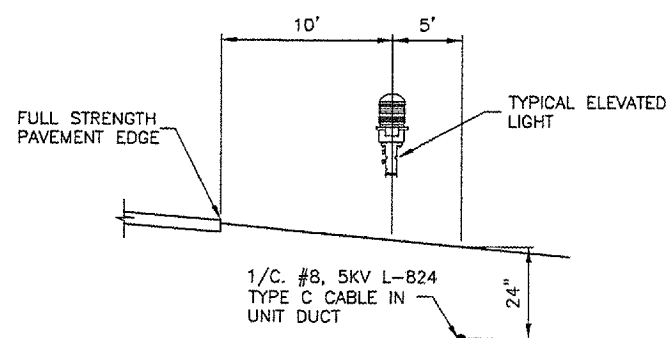
UNIT DUCT SHALL BE TERMINATED AT THE L-823 CONNECTORS AND SEALED WITH HEAT SHRINK AS SPECIFIED.

STAKE MOUNTED MEDIUM INTENSITY MARKER LIGHTS
 N.T.S.

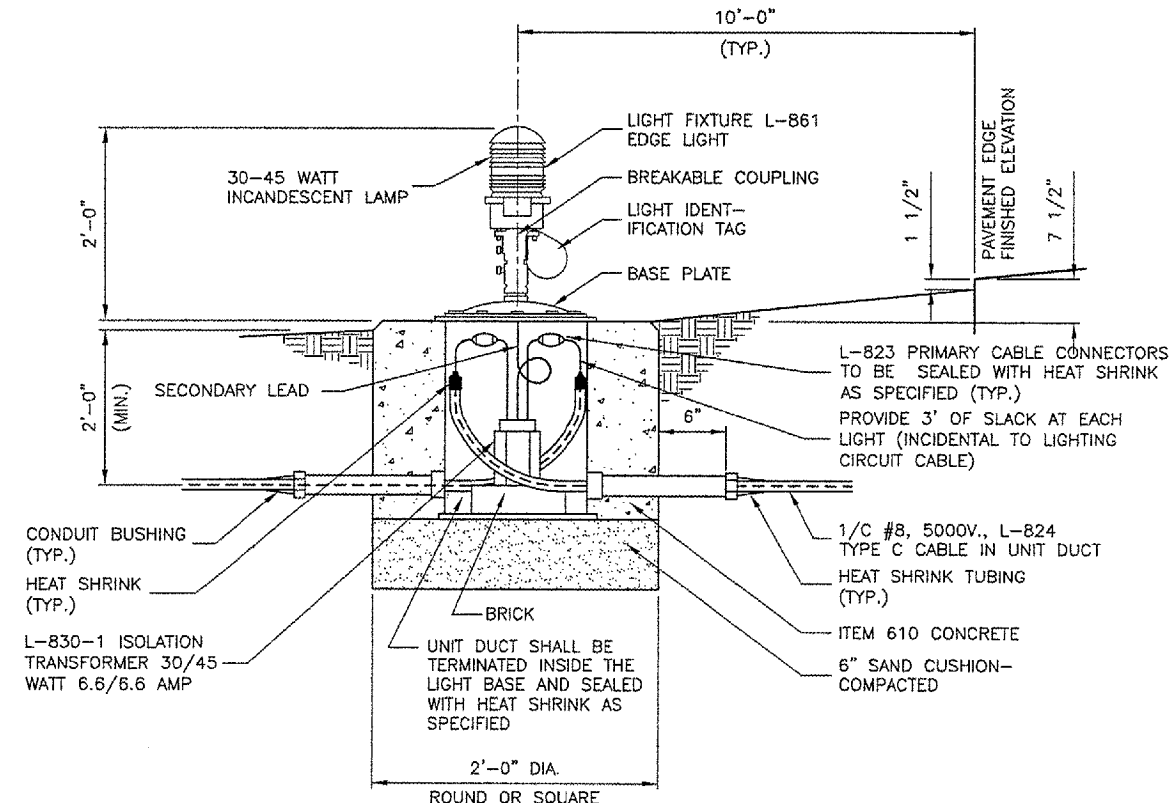
- NOTES**
1. INSTALL A NONCORROSIVE DISC OF 2" MINIMUM DIAMETER WITH THE NUMBER PERMANENTLY STAMPED, CUT OUT, OR ENGRAVED UNDER THE HEAD OF THE BASE PLATE BOLT OR ATTACHED TO LIGHT FLANGE WITH SET SCREW.
 2. LEGENDS SHOWN ARE FOR ILLUSTRATIVE PURPOSES ONLY. CONTRACTOR TO COORDINATE LEGEND WITH AIRPORT.
 3. THE CONTRACTOR SHALL NUMBER THE EXISTING/PROPOSED LIGHTS AND SIGNS IN EACH CIRCUIT STARTING AT THE HOMERUN CONTINUING AROUND THE ENTIRE CIRCUIT BACK TO THE HOMERUN.
 4. AIRFIELD SIGNS SHALL BE TAGGED & NUMBERED.



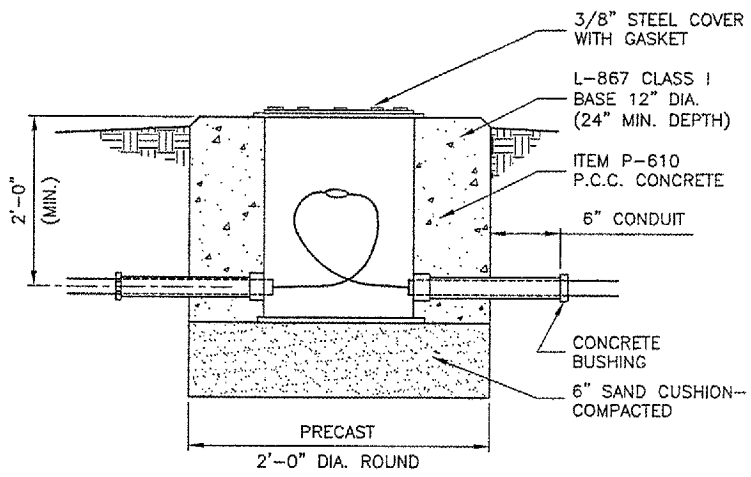
LIGHT IDENTIFICATION DETAIL
 N.T.S.



LIGHT AND CABLE INSTALLATION DETAIL
 N.T.S.



BASE MOUNTED MEDIUM INTENSITY MARKER LIGHTS
 N.T.S.



SPLICE CAN DETAIL
 N.T.S.