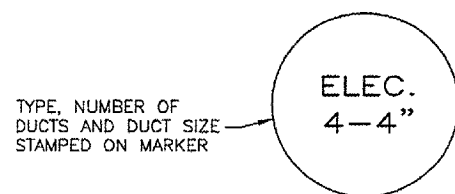
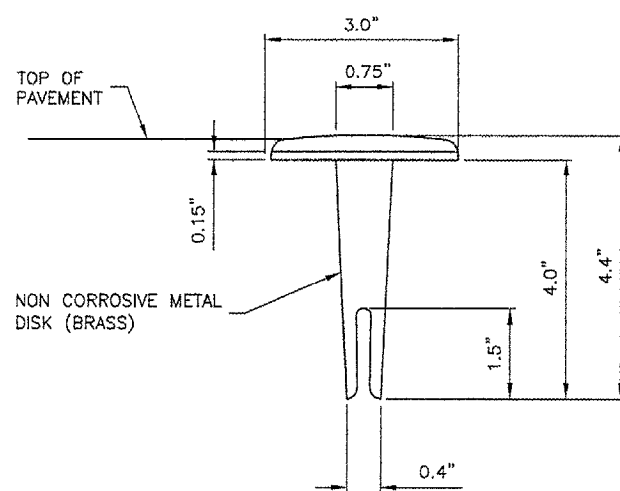


DUCT MARKERS SHALL BE RECESSED AND GROUTED INTO THE PAVEMENTS.

MARKER PLACEMENT



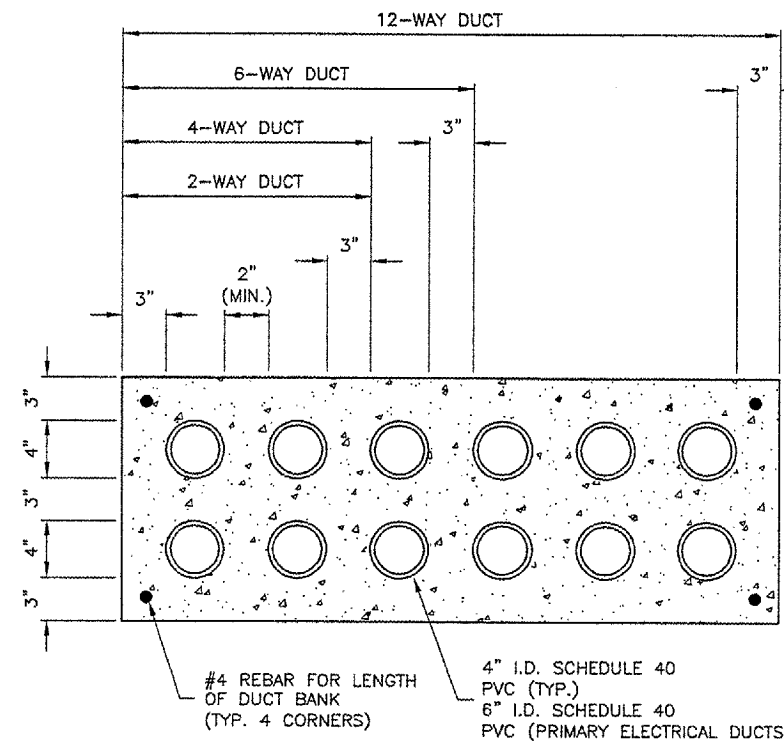
PLAN



SECTION

DUCT MARKER DETAILS

N.T.S.



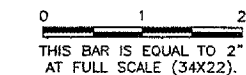
DUCT BANK DETAIL

N.T.S.

NOTES

1. DIMENSIONS SHOWN ARE MINIMUM.
2. TOP OF CONCRETE ENCASEMENT TO BE NOT LESS THAN 18" BELOW FINISHED SUBGRADE.
3. DUCT CONCRETE SHALL BE ITEM 610 STRUCTURAL P.C.C. CONCRETE.
4. ALL DUCT SHALL BE 4" INSIDE DIAMETER.
5. LOCATIONS SHOWN ARE APPROXIMATE. DUCT BANKS SHALL BE INSTALLED AT LOCATIONS DESIGNATED BY THE ENGINEER.
6. CONTRACTOR SHALL INSTALL DUCT BANKS AT A DEPTH WHICH WILL NOT CONFLICT WITH ELEVATION SENSITIVE UTILITIES.
7. A PULL WIRE SHALL BE PROVIDED IN EACH UNUSED CONDUIT. UNUSED DUCT SHALL BE SEALED WITH PVC PLUGS/CAPS TO THE SATISFACTION OF THE ENGINEER.
8. DUCT BANKS SHALL EXTEND A MINIMUM OF 5' BEYOND THE PROPOSED EDGE OF PAVEMENT.

REVISIONS		
NUMBER	BY	DATE



VERMILION COUNTY AIRPORT
 DANVILLE, ILLINOIS

EXTEND PARALLEL TAXIWAY 600 FEET
 ELECTRICAL DETAILS SHEET 2

© Copyright CMT, Inc.
CMT
 CRAWFORD, MURPHY & TILLY, INC.
 CONSULTING ENGINEERS
 License No. 184-000613

DESIGN BY:	JEF
DRAWN BY:	DPA
CHECKED BY:	SMH
APPROVED BY:	JEF
DATE:	01/13/2006
JOB No:	05042-0300
ILLINOIS PROJECT DNV-3537	
A.I.P. PROJECT 3-17-0032-B10	
SHEET	17 OF 29 SHEETS