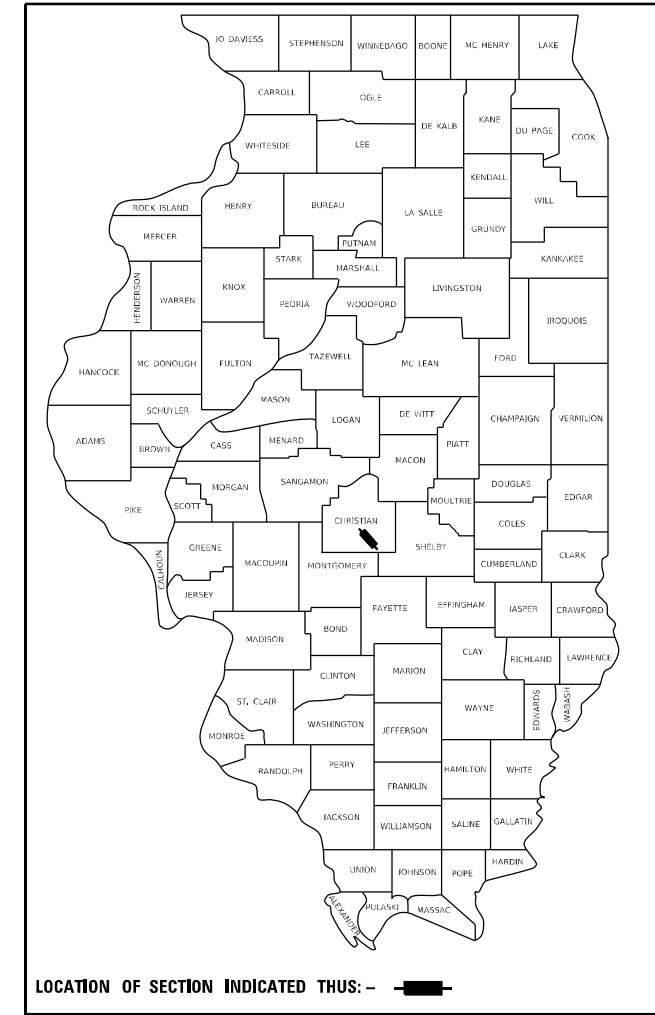


STATE OF ILLINOIS
DEPARTMENT OF TRANSPORTATION

F.A.P. RTE.	SECTION	COUNTY	TOTAL SHEETS	SHEET NO.
75	2B-2	CHRISTIAN	31	1
		ILLINOIS	CONTRACT NO. 72G06	

D-96-039-13



LOCATION OF SECTION INDICATED THUS: — ■ —

FUNCTIONAL CLASSIFICATION:
OTHER PRINCIPAL ARTERIAL
ADT: 4300 (2021)
ADT: 4344 (2023)
ADT: 4800 (2043)
PV: 88.8% SU: 4.8% MU: 6.4%

FOR INDEX OF SHEETS, SEE SHEET NO. 2

FOR LIST OF HIGHWAY STANDARDS, SEE SHEET NO. 2

PROPOSED HIGHWAY PLANS

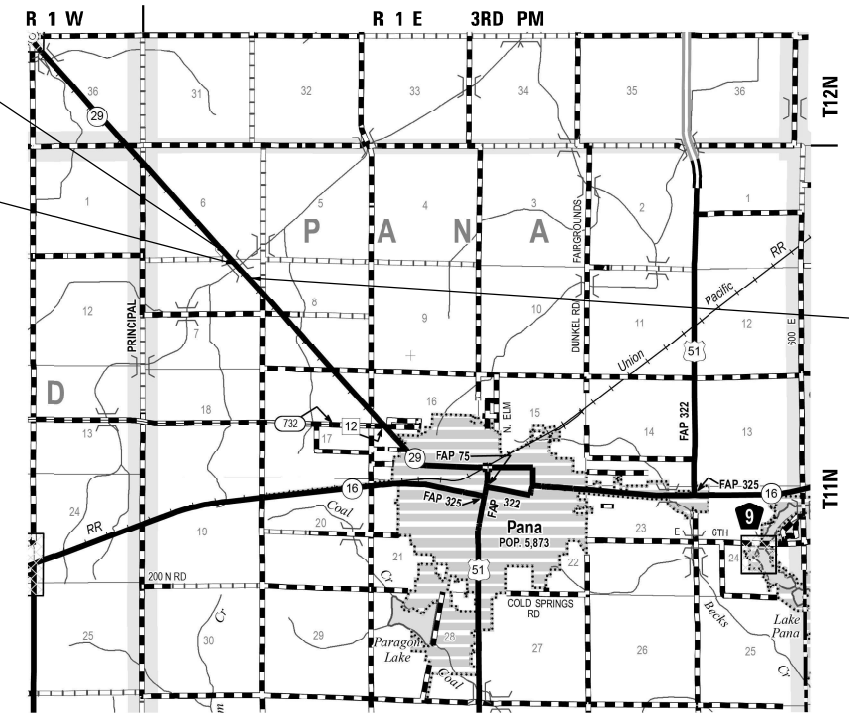
FAP ROUTE 75 (IL 29)
SECTION 2B-2
PROJECT NHPP-G4AD(478)
BRIDGE REPLACEMENT
CHRISTIAN COUNTY

C-96-039-13

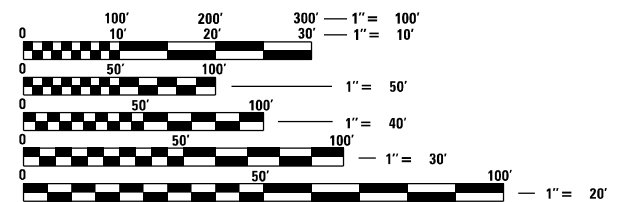
BEGIN IMPROVEMENT
STA 666+95.00

STA 669+24.51
EXIST. SN 011-0013
2-SPAN CONC. SLAB
43'-0" BK-BK ABUTS
OVER DRAINAGE DITCH

STA. 669+29.51
PROP. SN 011-2518
TRIPLE 12' X 12'
RC BOX CULVERT



END IMPROVEMENT
STA 672+31.00



FULL SIZE PLANS HAVE BEEN PREPARED USING STANDARD ENGINEERING SCALES, REDUCED SIZED PLANS WILL NOT CONFORM TO STANDARD SCALES. IN MAKING MEASUREMENTS ON REDUCED PLANS, THE ABOVE SCALES MAY BE USED.

J.U.L.I.E.
JOINT UTILITY LOCATION INFORMATION FOR EXCAVATORS
1-800-892-0123
OR 811

GROSS LENGTH = 536.00 FT. = 0.102 MILE
NET LENGTH = 536.00 FT. = 0.102 MILE



DATE: DECEMBER 21 20 22
EXPIRES: NOVEMBER 30 20 23
SHEETS 1-15 & 27-31
KEVIN L. KUHN, PE
STATE OF ILLINOIS NO. 062-056868

PROJECT ENGINEER: JON KELLEY 217-785-2739
PROJECT MANAGER: CHRIS SIEFERT 217-524-7940

CONTRACT NO. 72G06



STATE OF ILLINOIS
DEPARTMENT OF TRANSPORTATION

SUBMITTED December 22 20 22

John P. Meyer
REGIONAL ENGINEER

February 3, 2023

Scott A. Etkin
ENGINEER OF DESIGN AND ENVIRONMENT

February 3, 2023

Stephen M. Smith
DIRECTOR OF HIGHWAYS PROJECT IMPLEMENTATION

**PRINTED BY THE AUTHORITY
OF THE STATE OF ILLINOIS**

GENERAL NOTES

- THE FOLLOWING RATES OF APPLICATION HAVE BEEN USED TO CALCULATE PLAN QUANTITIES:

HOT MIX ASPHALT SURFACE/BINDER	0.056 TON / (SQ YD - INCH)
BITUMINOUS MATERIALS (TACK COAT)	0.05 LB / SQ FT (ON PAVEMENT)
BITUMINOUS MATERIALS (PRIME COAT)	0.25 LB / SQ FT (ON AGGREGATE)
BITUMINOUS MATERIALS (TACK COAT)	0.025 LB / SQ FT (FOG)
AGGREGATE MATERIAL	1.60 TON / CU YD
SHORT TERM PAVEMENT MARKING	4 FT / 100 FT OF APPLICATION
FERTILIZER NUTRIENTS	90 LB / ACRE
MULCH	2 TON / ACRE
AGRICULTURAL GROUND LIMESTONE	2 TON / ACRE
TEMPORARY EROSION CONTROL SEEDING	100 LB / ACRE
- THE CONTRACTOR SHALL SUBMIT A SEQUENCE OF CONSTRUCTION FOR APPROVAL TO THE RESIDENT ENGINEER BEFORE THIS PROJECT IS STARTED.
- IDOT DISTRICT 6 OPERATIONS TRAFFIC SIGNAL SECTION SHALL BE CONTACTED AT (217) 524-9161 FOR CONTROLLER PROGRAMMING AND TIMING APPROVAL PRIOR TO ACTIVATING THE TEMPORARY BRIDGE TRAFFIC SIGNALS.
- A NATIVE PRAIRIE REMNANT (BOTANICAL SITE #259 IN INHS 2011 BOTANICAL REPORT) OCCURS WITHIN THE LIMITS OF THE PROPOSED IMPROVEMENT. IN ORDER TO PROTECT THE PRAIRIE, NO PARKING OF VEHICLES OR STORAGE OF EQUIPMENT OR MATERIALS SHALL OCCUR ON THE WESTERLY SIDE OF IL 29 BETWEEN THE EDGE OF THE PAVED SHOULDER AND THE EXISTING BIKE TRAIL. AFTER CONSTRUCTION, DISTURBED AREAS SHALL BE SEEDED WITH A NATIVE MIX (CLASS 4 AND 5A) IN ACCORDANCE WITH SECTION 250 OF THE STANDARD SPECIFICATIONS FOR ROAD AND BRIDGE CONSTRUCTION.
- ALL TEMPORARY PAVEMENT MARKING TAPE THAT IS TO REMAIN IN PLACE LONGER THAN 14 DAYS SHALL BE TYPE III OR TYPE IV TAPE. TYPE I TEMPORARY PAVEMENT MARKING TAPE MAY BE USED FOR APPLICATIONS OF 14 DAYS OR LESS.

THE FOLLOWING MIXTURE REQUIREMENTS ARE APPLICABLE FOR THIS PROJECT:

MIXTURE USE(S):	HMA SURFACE COURSE	HMA BINDER COURSE	HMA SHOULDERS
PG GRADE:	PG 64-22	PG 64-22	PG 64-22
DESIGN AIR VOIDS:	4.0% @ N50	4.0% @ N50	4.0% @ N50
MIXTURE COMPOSITION: (GRADATION MIXTURE)	IL-9.5	IL-19.0	IL-9.5
FRICTION AGGREGATE:	MIX "C"	N/A	MIX "C"
QUALITY MANAGEMENT:	QC/QA	QC/QA	QC/QA
SUBLOT SIZE:	N/A	N/A	N/A
MATERIAL TRANSFER DEVICE REQUIRED:	NO	NO	NO

MEMBERS OF JULIE KNOWN TO BE WITHIN THE LIMITS OF THE IMPROVEMENT ARE:

AMEREN (GAS)
 MR. JAKE ZERRUSEN
 711 S. NINTH ST.
 MATTOON, IL 61938
 PHONE: 217-234-0429
 FAX: 217-234-0406
 CELL: 217-208-7981
 EMAIL: JZERRUSEN@AMEREN.COM

NON-MEMBERS OF JULIE KNOWN TO BE WITHIN THE LIMITS OF THE IMPROVEMENT ARE:

NONE

COMMITMENTS

THERE ARE NO COMMITMENTS.


INDEX OF SHEETS


- 1 COVER SHEET
- 2 INDEX OF SHEETS, HIGHWAY STANDARDS, GENERAL NOTES, COMMITMENTS AND SIGNATURES
- 3 - 5 SUMMARY OF QUANTITIES
- 6 - 7 TYPICAL SECTIONS
- 8 - 9 SCHEDULE OF QUANTITIES
- 10 WIDTH RESTRICTION SIGNING DETAIL
- 11 ALIGNMENT, TIES AND BENCHMARKS
- 12 PLAN AND PROFILE
- 13 STAGING PLAN
- 14 STAGING TYPICALS
- 15 EROSION CONTROL PLAN
- 16 - 26 STRUCTURE PLANS
- 27 - 28 DETAILS
- 29 - 31 CROSS SECTIONS


HIGHWAY STANDARDS

- 000001-08 STANDARD SYMBOLS, ABBREVIATIONS AND PATTERNS
- 001001-02 AREAS OF REINFORCEMENT BARS
- 280001-07 TEMPORARY EROSION CONTROL SYSTEMS
- 353001-05 PCC BASE COURSE WITH HMA BINDER AND SURFACE COURSES
- 420001-10 PAVEMENT JOINTS
- 515001-04 NAME PLATES FOR BRIDGES
- 642006-01 SHOULDER RUMBLE STRIPS, 8 in.
- 701001-02 OFF-ROAD OPERATIONS, 2L, 2W, MORE THAN 15' (4.5 M) AWAY
- 701006-05 OFF-ROAD OPERATIONS, 2L, 2W, 15' (4.5 M) TO 24" (600 MM) FROM PAVEMENT EDGE
- 701201-05 LANE CLOSURE, 2L, 2W, DAY ONLY, FOR SPEEDS ≥ 45 MPH
- 701301-04 LANE CLOSURE, 2L, 2W, SHORT TIME OPERATIONS
- 701306-04 LANE CLOSURE, 2L, 2W, SLOW MOVING OPERATIONS DAY ONLY (SPEEDS ≥ 45 MPH)
- 701311-03 LANE CLOSURE, 2L, 2W, 2 WAY MOVING OPERATIONS - DAY ONLY
- 701321-18 LANE CLOSURE, 2L, 2W, BRIDGE REPAIR WITH BARRIER
- 701901-08 TRAFFIC CONTROL DEVICES
- 704001-08 TEMPORARY CONCRETE BARRIER
- 780001-05 TYPICAL PAVEMENT MARKINGS
- 001006 DECIMAL OF AN INCH AND OF A FOOT
- 542401-04 METAL FLARED END SECTION FOR PIPE CULVERTS
- 666001-01 RIGHT-OF-WAY MARKERS
- 782006-01 GUARDRAIL AND BARRIER WALL REFLECTOR MOUNTING DETAILS

**STATE OF ILLINOIS
 DEPARTMENT OF TRANSPORTATION
 DIVISION OF HIGHWAYS
 DISTRICT 6**

EXAMINED November, 23 2022

ENGINEER OF OPERATIONS

EXAMINED December, 19 2022

ENGINEER OF PROJECT IMPLEMENTATION

EXAMINED December, 19 2022

ENGINEER OF PROGRAM DEVELOPMENT

REV. - MS

MODEL: Default FILE NAME: I:\13045.09 DOT D6 - PTB 187-011 - W09 - Christian County 72G06\CD\DrawCAD\Drawings\27206.dwg User: jzerrusen



USER NAME = msutheard	DESIGNED -	REVISED -
	DRAWN -	REVISED -
PLOT SCALE = 0.1667 / in.	CHECKED -	REVISED -
PLOT DATE = 12/21/2022	DATE -	REVISED -

**STATE OF ILLINOIS
 DEPARTMENT OF TRANSPORTATION**

**GENERAL NOTES, LIST OF HIGHWAY STANDARDS,
 COMMITMENTS AND SIGNATURES**

F.A.P. RTE.	SECTION	COUNTY	TOTAL SHEETS	SHEET NO.
75	2B-2	CHRISTIAN	31	2
CONTRACT NO. 72G06				
ILLINOIS FED. AID PROJECT				

SCALE: SHEET OF SHEETS STA. TO STA.

6-00422-0300
 80% FED
 20% STATE
 BOX CULVERT
 0010
 011-2518

CODE NO.	ITEM	UNIT	TOTAL QUANTITY	BOX CULVERT 0010 011-2518
20200100	EARTH EXCAVATION	CU YD	170	170
20300100	CHANNEL EXCAVATION	CU YD	620	620
20400800	FURNISHED EXCAVATION	CU YD	540	540
25000200	SEEDING, CLASS 2	ACRE	0.25	0.25
25000310	SEEDING, CLASS 4	ACRE	0.25	0.25
25000322	SEEDING, CLASS 5A	ACRE	0.25	0.25
25000400	NITROGEN FERTILIZER NUTRIENT	POUND	38	38
25000500	PHOSPHORUS FERTILIZER NUTRIENT	POUND	38	38
25000600	POTASSIUM FERTILIZER NUTRIENT	POUND	38	38
25000700	AGRICULTURAL GROUND LIMESTONE	TON	1	1
25100115	MULCH, METHOD 2	ACRE	0.5	0.5
28000250	TEMPORARY EROSION CONTROL SEEDING	POUND	126	126
28000305	TEMPORARY DITCH CHECKS	FOOT	24	24
28000400	PERIMETER EROSION BARRIER	FOOT	632	632

6-00422-0300
 80% FED
 20% STATE
 BOX CULVERT
 0010
 011-2518

CODE NO.	ITEM	UNIT	TOTAL QUANTITY	BOX CULVERT 0010 011-2518
28000500	INLET AND PIPE PROTECTION	EACH	2	2
28100105	STONE RIPRAP, CLASS A3	SQ YD	274	274
28200200	FILTER FABRIC	SQ YD	274	274
35300300	PORTLAND CEMENT CONCRETE BASE COURSE 8"	SQ YD	392	392
40600290	BITUMINOUS MATERIALS (TACK COAT)	POUND	1094	1094
40600982	HOT-MIX ASPHALT SURFACE REMOVAL - BUTT JOINT	SQ YD	259	259
40600990	TEMPORARY RAMP	SQ YD	91	91
40603080	HOT-MIX ASPHALT BINDER COURSE, IL-19.0, N50	TON	97	97
40604050	HOT-MIX ASPHALT SURFACE COURSE, IL-9.5, MIX "C", N50	TON	98	98
44000100	PAVEMENT REMOVAL	SQ YD	107	107
44004250	PAVED SHOULDER REMOVAL	SQ YD	89	89
48101200	AGGREGATE SHOULDERS, TYPE B	TON	24	24
48203100	HOT-MIX ASPHALT SHOULDERS	TON	130	130
48300300	PORTLAND CEMENT CONCRETE SHOULDERS 8"	SQ YD	178	178
50100100	REMOVAL OF EXISTING STRUCTURES	EACH	1	1

MODEL: Default
 FILE NAME: I:\13045.09 DOT D6 - FTB 187-011 - W09 - Christian County 72G06\CD\Draw\CAD\Sheet3\B72G06-ht-500.dgn

REV. - MS



USER NAME = myoung	DESIGNED -	REVISED -
PLOT SCALE = 2.0000' / in.	CHECKED -	REVISED -
PLOT DATE = 12/21/2022	DATE -	REVISED -

STATE OF ILLINOIS
 DEPARTMENT OF TRANSPORTATION

SUMMARY OF QUANTITIES

SCALE: SHEET 1 OF 2 SHEETS STA. TO STA.

F.A.P. RTE.	SECTION	COUNTY	TOTAL SHEETS	SHEET NO.
75	2B-2	CHRISTIAN	31	3
ILLINOIS FED. AID PROJECT			CONTRACT NO. 72G06	

6-00422-0300

80% FED
20% STATE
BOX CULVERT
0010
011-2518

CODE NO.	ITEM	UNIT	TOTAL QUANTITY	BOX CULVERT 0010 011-2518
50105220	PIPE CULVERT REMOVAL	FOOT	40	40
50200450	REMOVAL AND DISPOSAL OF UNSUITABLE MATERIAL FOR STRUCTURES	CU YD	382	382
50800105	REINFORCEMENT BARS	POUND	120110	120110
50800515	BAR SPLICERS	EACH	268	268
51500100	NAME PLATES	EACH	1	1
52200020	TEMPORARY SOIL RETENTION SYSTEM	SQ FT	986	986
54003000	CONCRETE BOX CULVERTS	CU YD	581	581
542D0223	PIPE CULVERTS, CLASS D, TYPE 1 18"	FOOT	80	80
54261718	STEEL FLARED END SECTIONS 18"	EACH	4	4
59100100	GEOCOMPOSITE WALL DRAIN	SQ YD	405	405
63200310	GUARDRAIL REMOVAL	FOOT	775	775
64200108	SHOULDER RUMBLE STRIPS, 8 INCH	FOOT	784	784
66600105	FURNISHING AND ERECTING RIGHT OF WAY MARKERS	EACH	8	8
67000400	ENGINEER'S FIELD OFFICE, TYPE A	CAL MO	6	6

6-00422-0300

80% FED
20% STATE
BOX CULVERT
0010
011-2518

CODE NO.	ITEM	UNIT	TOTAL QUANTITY	BOX CULVERT 0010 011-2518
67100100	MOBILIZATION	L SUM	1	1
70100405	TRAFFIC CONTROL AND PROTECTION, STANDARD 701321	EACH	1	1
70100460	TRAFFIC CONTROL AND PROTECTION, STANDARD 701306	L SUM	1	1
70100450	TRAFFIC CONTROL AND PROTECTION, STANDARD 701201	L SUM	1	1
70106500	TEMPORARY BRIDGE TRAFFIC SIGNALS	EACH	1	1
70106700	TEMPORARY RUMBLE STRIPS	EACH	6	6
70107025	CHANGEABLE MESSAGE SIGN	CAL DA	180	180
70300100	SHORT TERM PAVEMENT MARKING	FOOT	428	428
70300150	SHORT TERM PAVEMENT MARKING REMOVAL	SQ FT	143	143
70400100	TEMPORARY CONCRETE BARRIER	FOOT	275	275
70400200	RELOCATE TEMPORARY CONCRETE BARRIER	FOOT	275	275
70600251	IMPACT ATTENUATORS, TEMPORARY (NON- REDIRECTIVE, NARROW), TEST LEVEL 3	EACH	2	2
70600352	IMPACT ATTENUATORS, RELOCATE (NON- REDIRECTIVE, NARROW), TEST LEVEL 3	EACH	2	2
* 78001120	PAINT PAVEMENT MARKING - LINE 5"	FOOT	884	884
78300201	PAVEMENT MARKING REMOVAL - GRINDING	SQ FT	330	330

* SPECIALTY ITEM

REV. - MS

MODEL: Default
FILE NAME: E:\113045.09 DOT D6 - FTB 187-011 - W09 - Christian County 72G06\CDRAW\CDR\sheet306.rvt



USER NAME = myoung	DESIGNED -	REVISED -
PLOT SCALE = 2.0000' / in.	CHECKED -	REVISED -
PLOT DATE = 12/21/2022	DATE -	REVISED -

STATE OF ILLINOIS
DEPARTMENT OF TRANSPORTATION

SUMMARY OF QUANTITIES

SCALE: SHEET 2 OF 2 SHEETS STA. TO STA.

F.A.P. RTE.	SECTION	COUNTY	TOTAL SHEETS	SHEET NO.
75	2B-2	CHRISTIAN	31	4
ILLINOIS FED. AID PROJECT			CONTRACT NO. 72G06	

6-00422-0300
80% FED
20% STATE

CODE NO.	ITEM	UNIT	TOTAL QUANTITY	BOX CULVERT
				0010 011-2518
∅ Z0076600	TRAINEES	HOUR	1000	1000
X0900064	MEMBRANE WATERPROOFING SYSTEM FOR BURIED STRUCTURES	SQ YD	405	405
X7200201	WIDTH RESTRICTION SIGNING	L SUM	1	1
Z0023602	GRANULAR CULVERT BACKFILL	CU YD	411	411
∅ Z0076604	TRAINEES TRAINING PROGRAM GRADUATE	HOUR	1000	1000
* Z0054517	ROCK FILL -- FOUNDATION	TON	611	611

* SPECIALTY ITEM

∅ 0042

REV. - MS

MODEL: Default
FILE NAME: E:\13045.09 DOT D6 - PTB 187-011 - W09 - Christian County 72G06\CD\Drawings\CD\Sheet31872G06-ht-500.dgn



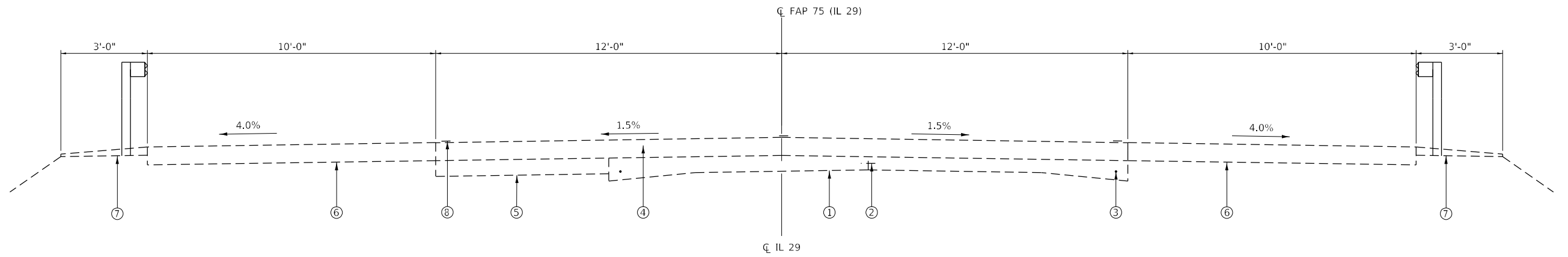
USER NAME = myoung	DESIGNED -	REVISED -
	DRAWN -	REVISED -
PLOT SCALE = 2.0000' / in.	CHECKED -	REVISED -
PLOT DATE = 12/21/2022	DATE -	REVISED -

STATE OF ILLINOIS
DEPARTMENT OF TRANSPORTATION

SUMMARY OF QUANTITIES

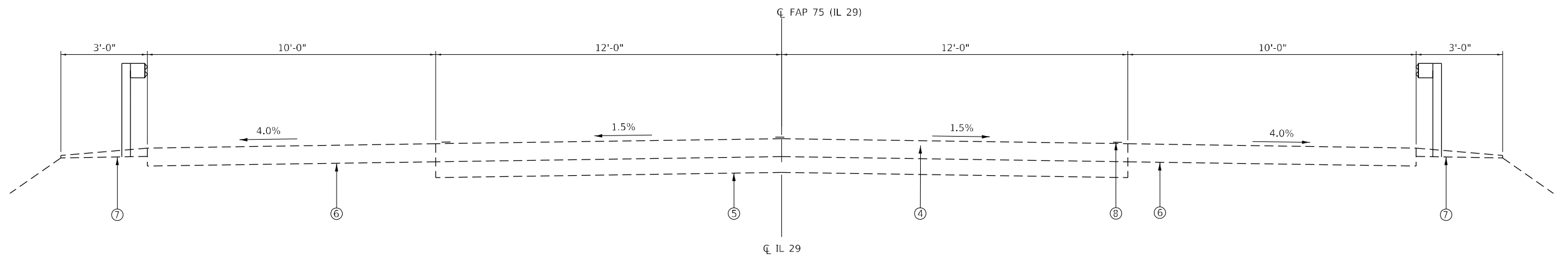
SCALE: SHEET OF SHEETS STA. TO STA.

F.A.P. RTE.	SECTION	COUNTY	TOTAL SHEETS	SHEET NO.
75	2B-2	CHRISTIAN	31	5
ILLINOIS FED. AID PROJECT			CONTRACT NO. 72G06	

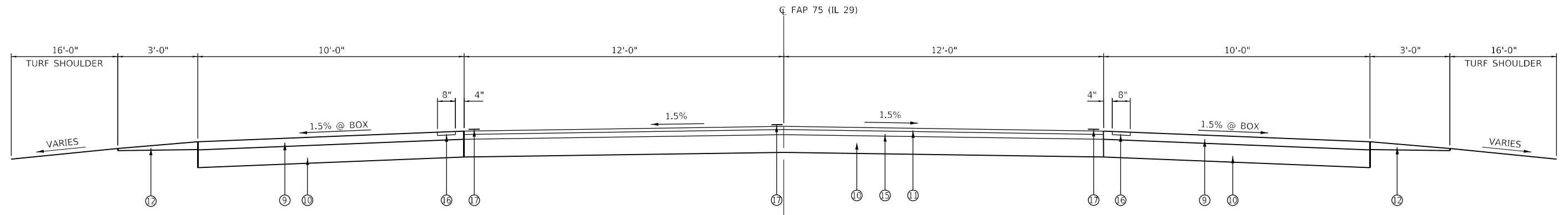


EXISTING TYPICAL SECTION
STA. 668+00.00 TO STA. 669+04.12

BRIDGE OMISSION
STA. 669+04.12 TO STA. 669+44.92



EXISTING TYPICAL SECTION
STA. 669+44.92 TO STA. 670+50.00



PROPOSED TYPICAL SECTION
STA. 668+90 TO STA. 669+70

- ① EXISTING P.C.C. PAVEMENT 9"-6"-9"
- ② EXISTING #4 BAR
- ③ EXISTING #6 BAR
- ④ EXISTING BITUMINOUS OVERLAY (5 1/4" ±)
- ⑤ EXISTING P.C.C. BASE COURSE OR BASE COURSE WIDENING 8"
- ⑥ EXISTING BITUMINOUS SHOULDER, 8"
- ⑦ EXISTING AGGREGATE SHOULDERS, TYPE B
- ⑧ EXISTING PAINT PAVEMENT MARKING LINE 5"
- ⑨ PROPOSED HMA SHOULDER 3 3/4"
- ⑩ PROPOSED PCC BASE COURSE 8"
- ⑪ PROPOSED HMA SURFACE COURSE IL-9.5, MIX "C", N50 1 1/2"
- ⑫ PROPOSED AGGREGATE WEDGE SHOULDER, TYPE B
- ⑬ PROPOSED HOT-MIX ASPHALT SHOULDERS
- ⑭ PROPOSED HOT-MIX ASPHALT SURFACE REMOVAL, BUTT JOINT
- ⑮ PROPOSED HOT-MIX ASPHALT BINDER COURSE IL-19.0 2 1/4"
- ⑯ PROPOSED SHOULDER RUMBLE STRIPS, 8 INCH
- ⑰ PROPOSED PAINT PAVEMENT MARKING - LINE 5"

MODEL Path: \\130406.09 IDOT D6 - PTB 1874011 - W09 - Christian County 72G06\CADD\Draw\CAD\Sheet\8672G06_sht_typical.scdm
 FILE NAME: 11130406.09 IDOT D6 - PTB 1874011 - W09 - Christian County 72G06\CADD\Draw\CAD\Sheet\8672G06_sht_typical.scdm

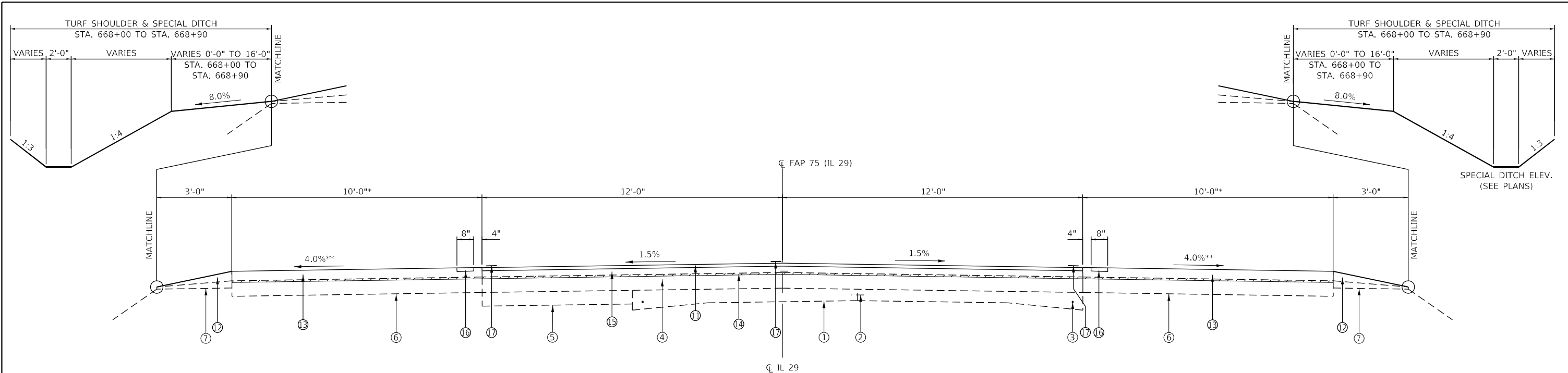


USER NAME = msutheard
 DESIGNED -
 DRAWN -
 PLOT SCALE = 40,0000' / in.
 CHECKED -
 PLOT DATE = 12/21/2022
 DATE -
 REVISED -
 REVISED -
 REVISED -
 REVISED -

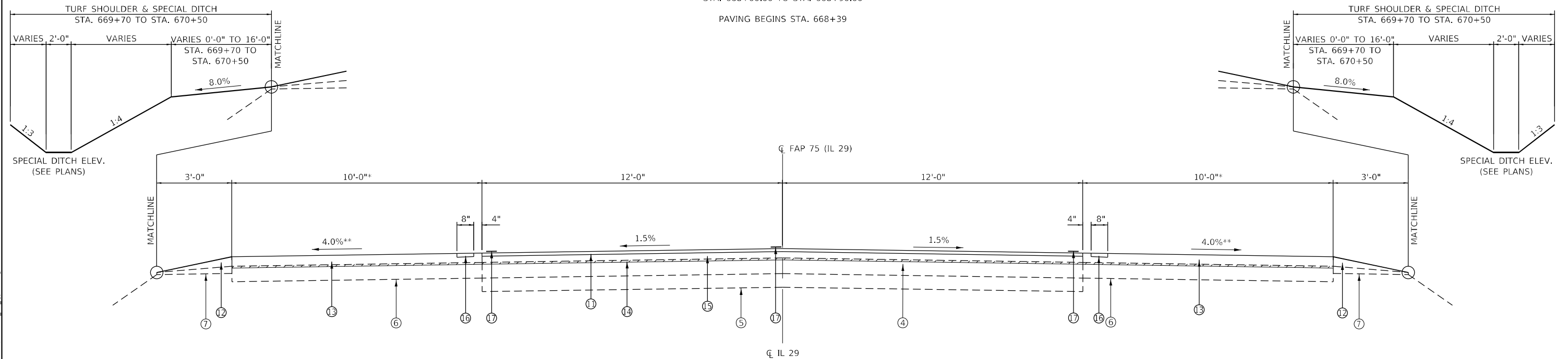
STATE OF ILLINOIS
DEPARTMENT OF TRANSPORTATION

TYPICAL SECTIONS
FAP 75 (IL 29)
 SCALE: SHEET 1 OF 2 SHEETS STA. TO STA.

F.A.P. RTE.	SECTION	COUNTY	TOTAL SHEETS	SHEET NO.
75	2B-2	CHRISTIAN	31	6
CONTRACT NO. 72G06				
ILLINOIS FED. AID PROJECT				



PROPOSED TYPICAL SECTION
 STA. 668+00.00 TO STA. 668+90.00
 PAVING BEGINS STA. 668+39



PROPOSED TYPICAL SECTION
 STA. 669+70.00 TO STA. 672+31.00

* RT WIDTH VARIES 10'-4" FROM STA. 670+79.63 TO 671+45.12
 RT WIDTH 4" FROM STA. 671+45.12 TO 672+31.36
 LT WIDTH VARIES 10'-4" FROM STA. 671+54.55 TO 672+31.00

** SHOULDER SLOPE VARIES FROM 4.0% TO 1.5% FROM STA. 668+45 TO 668+90
 AND FROM 1.5% TO 4.0% FROM STA. 669+70 TO 670+20

- ① EXISTING P.C.C. PAVEMENT 9"-6"-9"
- ② EXISTING #4 BAR
- ③ EXISTING #6 BAR
- ④ EXISTING BITUMINOUS OVERLAY (5 1/4" ±)
- ⑤ EXISTING P.C.C. BASE COURSE OR BASE COURSE WIDENING 8"
- ⑥ EXISTING BITUMINOUS SHOULDER, 8"
- ⑦ EXISTING AGGREGATE SHOULDERS, TYPE B
- ⑧ EXISTING PAINT PAVEMENT MARKING LINE 5"
- ⑨ PROPOSED PCC SHOULDER 8"
- ⑩ PROPOSED PCC PAVEMENT 13"
- ⑪ PROPOSED HMA SURFACE COURSE IL-9.5, MIX "C", N50 1 1/2"
- ⑫ PROPOSED AGGREGATE WEDGE SHOULDER, TYPE B
- ⑬ PROPOSED HOT-MIX ASPHALT SHOULDERS
- ⑭ PROPOSED HOT-MIX ASPHALT SURFACE REMOVAL, BUTT JOINT
- ⑮ PROPOSED HOT-MIX ASPHALT BINDER COURSE IL-19.0, N50 VARIABLE DEPTH
- ⑯ PROPOSED SHOULDER RUMBLE STRIPS, 8 INCH
- ⑰ PROPOSED PAINT PAVEMENT MARKING - LINE 5"

MODEL: D:\p1\1130402.09 IDOT D6 - PTB 1874011 - W09 - Christian County 72G06\CADD\Draw\CADD\Sheet\8672006.dwg, 12/21/2022



USER NAME = msutheard
 DESIGNED -
 DRAWN -
 CHECKED -
 DATE -
 PLOT SCALE = 40,0000' / in.
 PLOT DATE = 12/21/2022

DESIGNED -
 DRAWN -
 CHECKED -
 DATE -
 REVISED -
 REVISED -
 REVISED -
 REVISED -

STATE OF ILLINOIS
 DEPARTMENT OF TRANSPORTATION

TYPICAL SECTIONS		F.A.P. RTE.	SECTION	COUNTY	TOTAL SHEETS	SHEET NO.
FAP 75 (IL 29)		75	2B-2	CHRISTIAN	31	7
SCALE:		SHEET 2 OF 2 SHEETS		STA. TO STA.		CONTRACT NO. 72G06
ILLINOIS FED. AID PROJECT						

SEEDING SCHEDULE										
LOCATION			25000200 SEEDING, CLASS 2	25000310 SEEDING, CLASS 4	25000322 SEEDING, CLASS 5A	25000400 NITROGEN FERTILIZER NUTRIENT	25000500 PHOSPHORUS FERTILIZER NUTRIENT	25000600 POTASSIUM FERTILIZER NUTRIENT	25000700 AGRICULTURAL GROUND LIMESTONE	25100115 MULCH, METHOD 2
STATION	TO	STATION	ACRE	ACRE	ACRE	POUND	POUND	POUND	TON	ACRE
668+00	-	672+00	0.25	0.25	0.25	38	38	38	1	0.5
TOTALS			0.25	0.25	0.25	38	38	38	1	0.5

EROSION CONTROL SCHEDULE						
LOCATION			28000250 TEMPORARY EROSION CONTROL SEEDING	28000305 TEMPORARY DITCH CHECKS	28000400 PERIMETER EROSION BARRIER	28000500 INLET AND PIPE PROTECTION
STATION	TO	STATION	POUND	FOOT	FOOT	EACH
668+00	-	672+00	126		632	
668+75 RT	-					1
668+90 LT	-			12		
669+70 LT	-			12		
670+14 RT	-					1
TOTALS			126	24	632	2

RIPRAP SCHEDULE			
LOCATION			28100105 STONE RIPRAP, CLASS A3
			SQ YD
BOX CULVERT	-	DS END	165
BOX CULVERT	-	US END	109
TOTALS			274

RIGHT OF WAY MARKER SCHEDULE		
LOCATION		66600105 FURNISHING AND ERECTING RIGHT OF WAY MARKERS
STATION	OFFSET	EACH
667+00	- 30' RT	1
667+50	- 60' LT	1
668+50	- 68' RT	1
669+00	- 90' LT	1
669+65	- 90' LT	1
670+00	- 68' RT	1
671+00	- 60' LT	1
671+50	- 30' RT	1
TOTALS		8

DRAINAGE STRUCTURE SCHEDULE				
LOCATION		50105220 PIPE CULVERT REMOVAL	542D0223 PIPE CULVERTS, CLASS D, TYPE 1 18"	54261718 STEEL FLARED END SECTIONS 18"
STATION		FOOT	FOOT	EACH
668+75	- 669+05 RT		25	2
668+70	- 669+10 LT	40		
669+54	- 670+14 RT		55	2
TOTALS		40	80	4

GUARDRAIL REMOVAL SCHEDULE			
LOCATION			63200310 GUARDRAIL REMOVAL
			FOOT
666+95	-	670+82.5	387.5
667+67	-	671+54.5	387.5
TOTALS			775

EARTHWORK SCHEDULE								
LOCATION			20200100 EARTH EXCAVATION	20300100 CHANNEL EXCAVATION	EARTH EXCAVATION ADJUSTED FOR SHRINKAGE (25% ASSUMED)	EMBANKMENT	EARTHWORK BALANCE WASTE (+) OR SHORTAGE (-)	20400800 FURNISHED EXCAVATION
STATION	TO	STATION	CU YD	CU YD	CU YD	CU YD	CU YD	CU YD
668+00	-	672+00	170		130	670		540
668+95	-	669+64		620				-620
TOTALS			170	620	130	670	-1,160	540

NOTE: CHANNEL EXCAVATION NOT TO BE USED FOR EMBANKMENT CONSTRUCTION.

REV. - MS

MODEL: Default
FILE NAME: I:\13045.09 DOT D6 - FTB 187-011 - W09 - Christian County 72G06\CD\Drawings\CD\SheetSchedules\DOTD6-ht.schedules.dgn



USER NAME = msutheard
DESIGNED -
DRAWN -
PLOT SCALE = 2.0000' / in.
PLOT DATE = 12/21/2022

CHECKED -
DATE -

REVISED -
REVISED -
REVISED -
REVISED -

STATE OF ILLINOIS
DEPARTMENT OF TRANSPORTATION

SCHEDULE OF QUANTITIES

SCALE: SHEET 1 OF 2 SHEETS STA. TO STA.

F.A.P. RTE.	SECTION	COUNTY	TOTAL SHEETS	SHEET NO.
75	2B-2	CHRISTIAN	31	8
CONTRACT NO. 72G06			ILLINOIS FED. AID PROJECT	

PAVEMENT SCHEDULE

LOCATION			35300300	40600290	40600982	40600990	40603080	40604050	44000100
STATION	TO	STATION	PORTLAND CEMENT CONCRETE BASE COURSE 8"	BITUMINOUS MATERIALS (TACK COAT)	HOT-MIX ASPHALT SURFACE REMOVAL - BUTT JOINT	TEMPORARY RAMP	HOT-MIX ASPHALT BINDER COURSE, IL-19.0, N50	HOT-MIX ASPHALT SURFACE COURSE, IL-9.5, MIX "C", N50	PAVEMENT REMOVAL
			SQ YD	POUND	SQ YD	SQ YD	TON	TON	SQ YD
668+39	-	668+90		68	147	24.4	5	14	
668+90	-	669+70	392	264		48.8	27	18	107
669+70	-	671+26		610			65	35	
671+26	-	672+01		104				24	
672+01	-	672+31		48	112	17.8		7	
TOTALS			392	1,094	259	91	97	98	107

SHOULDER SCHEDULE

LOCATION			44004250	48101200	48203100	64200108
STATION	TO	STATION	PAVED SHOULDER REMOVAL	AGGREGATE SHOULDERS, TYPE B	HOT-MIX ASPHALT SHOULDERS	SHOULDER RUMBLE STRIPS, 8 INCH
			SQ YD	TON	TON	FOOT
668+39	-	668+90		3	12	102
668+90	-	669+70	89	5	38	160
669+70	-	672+31		16	80	522
TOTALS			89	24	130	784

PAVEMENT MARKING SCHEDULE

LOCATION			DESCRIPTION	70300100	70300150	78001120	
STATION	TO	STATION		SHORT TERM PAVEMENT MARKING	SHORT TERM PAVEMENT MARKING REMOVAL	PAINT PAVEMENT MARKING - LINE 5"	
				TYPE	COLOR	FOOT	SQ FT
668+39	-	672+31	EDGE LINES	WHITE	428	143	784
668+39	-	672+31	CENTERLINE	YELLOW			100
TOTALS					428	143	884

REV. - MS

MODEL: D:\p\draft\113046.09 DOT D6 - FTB 187-011 - W09 - Christian County 72G06\Drawings\Drawings\2206-ht-schedule.dgn
 FILE NAME: 113046.09 DOT D6 - FTB 187-011 - W09 - Christian County 72G06\Drawings\Drawings\2206-ht-schedule.dgn



USER NAME = msutheard	DESIGNED -	REVISED -
	DRAWN -	REVISED -
PLOT SCALE = 2.0000' / in.	CHECKED -	REVISED -
PLOT DATE = 12/21/2022	DATE -	REVISED -

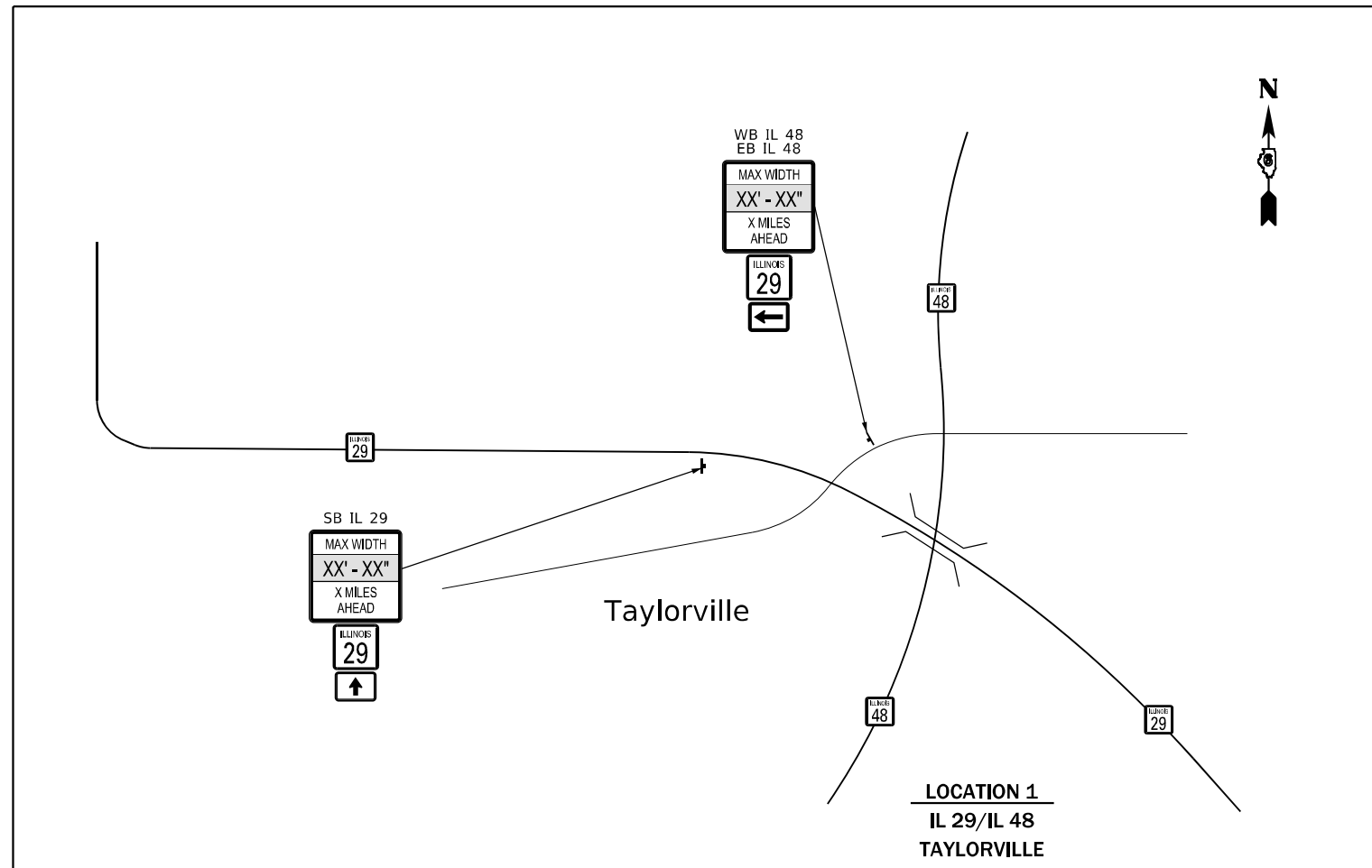
**STATE OF ILLINOIS
DEPARTMENT OF TRANSPORTATION**

SCHEDULE OF QUANTITIES

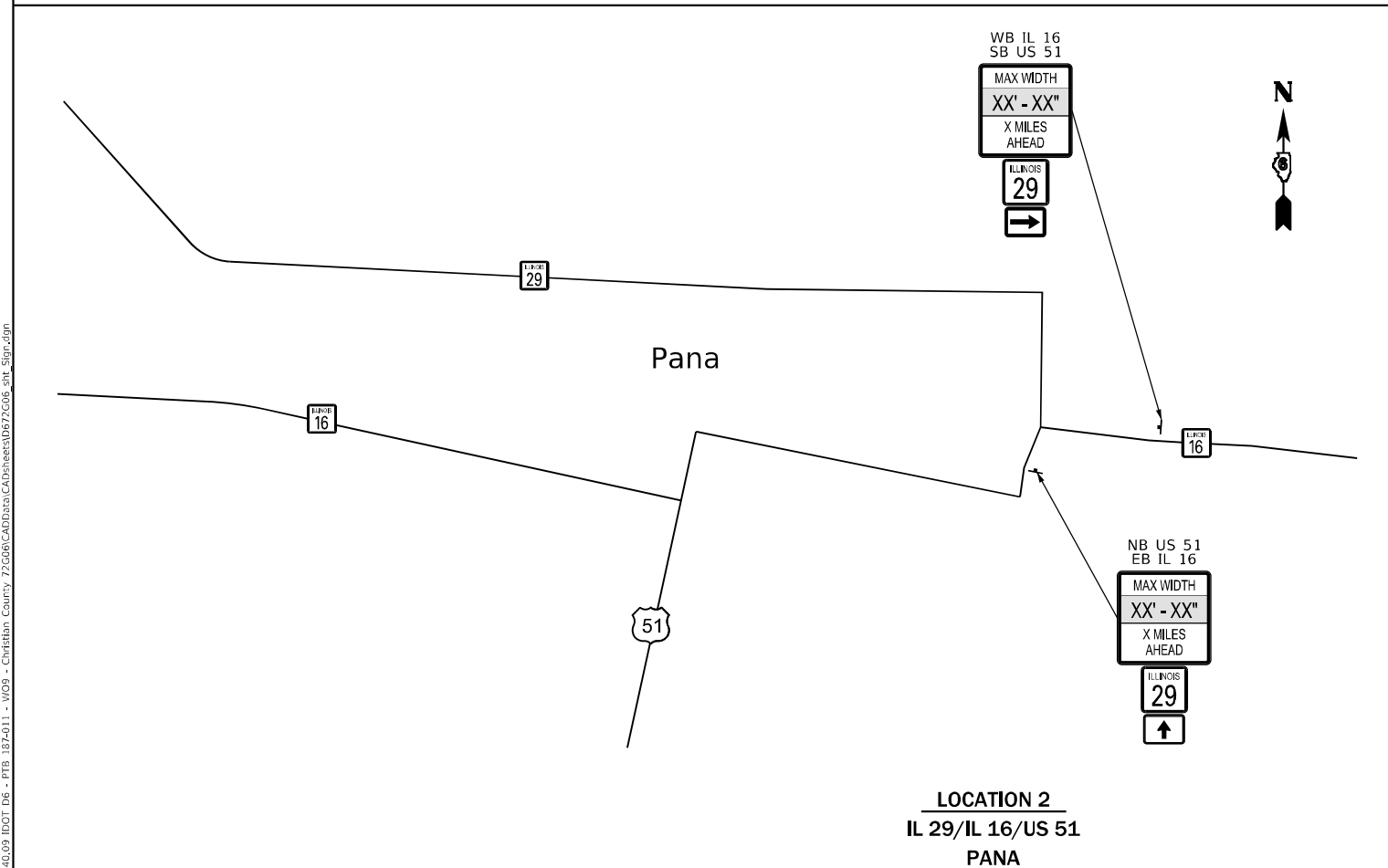
SCALE: SHEET 2 OF 2 SHEETS STA. TO STA.

F.A.P. RTE.	SECTION	COUNTY	TOTAL SHEETS	SHEET NO.
75	2B-2	CHRISTIAN	31	9
		CONTRACT NO. 72G06		
		ILLINOIS FED. AID PROJECT		

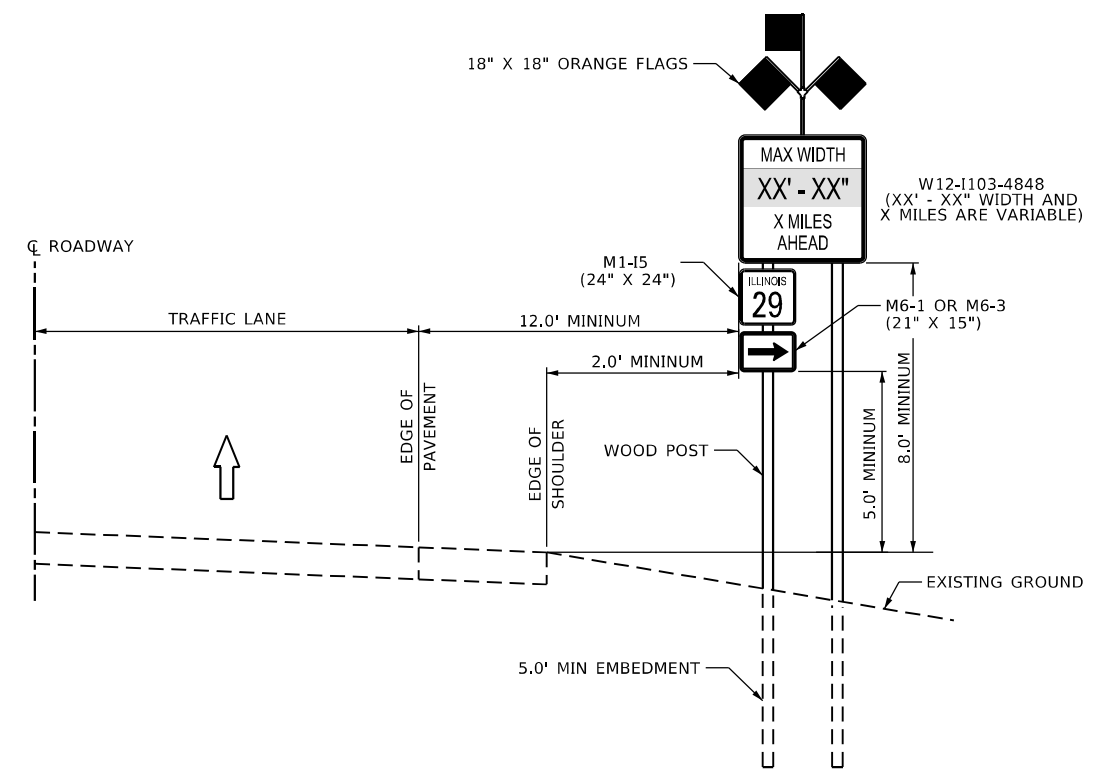
MODEL Path: \\130402.09\DOT\66-PTB-187-011-1\W09-Christi... County 72066\CADD\23a\CAD\Sheet\187206_sht_Sign.dgn
 FILE NAME: \\130402.09\DOT\66-PTB-187-011-1\W09-Christi... County 72066\CADD\23a\CAD\Sheet\187206_sht_Sign.dgn



LOCATION 1
 IL 29/IL 48
 TAYLORVILLE



LOCATION 2
 IL 29/IL 16/US 51
 PANA



WIDTH RESTRICTION SIGN
CONVENTIONAL ROADWAYS



USER NAME = msutheard	DESIGNED -	REVISED -
PLOT SCALE = 40,0000' / in.	DRAWN -	REVISED -
PLOT DATE = 12/21/2022	CHECKED -	REVISED -
	DATE -	REVISED -

STATE OF ILLINOIS
DEPARTMENT OF TRANSPORTATION

WIDTH RESTRICTION SIGNING DETAIL			
SCALE:	SHEET 1	OF 1	SHEETS
	STA.		TO STA.

F.A.P. RTE. 75	SECTION 2B-2	COUNTY	TOTAL SHEETS 31	SHEET NO. 10
CONTRACT NO. 72G06				
ILLINOIS FED. AID PROJECT				

SEC 7 T11N R1E

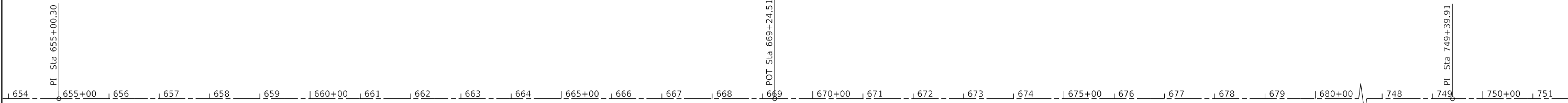
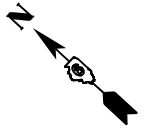
BM WS 6: SET CHSLD [] ON CENTER OF SOUTH HEADWALL
OF A 2X2 BOX @ STA. 649+25.1 OFFSET 23.3 RT
ELEV = 670.469

BM 2F: FOUND CHSLD [] TOP WINGWALL NE CORNER STR.
#011-0013 1.5MI. NW OF PANA @ STA. 669+45.1 OFFSET
24.1 LT ELEV = 655.427

BM WS 7: FOUND CHSLD [] ON TOP CENTER OF DOUBLE
BARREL BOX CULVERT NORTH SIDE IL29 @ STA. 713+11.2
OFFSET 34.2 LT ELEV = 663.696

* BENCHMARK ELEVATIONS ARE NAVD 1988 DATUM.

CONTROL POINT	STATION	NORTHING	EASTING
PI	655+00.30	1005404.5731	2590614.2832
POT	669+24.51	1004354.6221	2591576.5617
PI	749+39.91	998445.5419	2596992.2249



MODEL Path: \\13046.09 IDOT D6 - PTB 187-011 - W09 - Christian County 72G06\CADD\Draw\CADD\sheet\8672G06-shr-ATB.dwg
 FILE NAME: \\13046.09 IDOT D6 - PTB 187-011 - W09 - Christian County 72G06\CADD\Draw\CADD\sheet\8672G06-shr-ATB.dwg



USER NAME = msutheard	DESIGNED -	REVISED -
	DRAWN -	REVISED -
PLOT SCALE = 200.0000' / in.	CHECKED -	REVISED -
PLOT DATE = 12/21/2022	DATE -	REVISED -

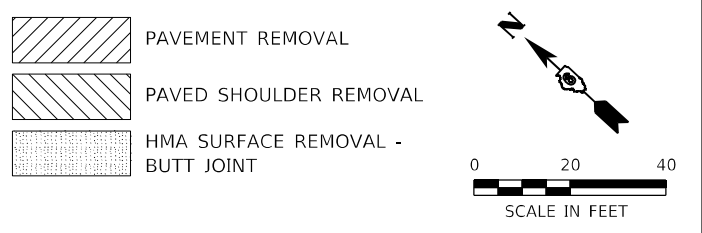
**STATE OF ILLINOIS
DEPARTMENT OF TRANSPORTATION**

ALIGNMENT AND BENCHMARKS

SCALE: SHEET OF SHEETS STA. TO STA.

F.A.P. RTE.	SECTION	COUNTY	TOTAL SHEETS	SHEET NO.
75	2B-2	CHRISTIAN	31	11
CONTRACT NO. 72G06				
ILLINOIS FED. AID PROJECT				

- ① STA. 668+75, 55.5' RT TO STA. 669+05, 57.5' RT
25 FOOT PIPE CULVERTS, CLASS D, TYPE 1 18"
W/ STEEL FLARED END SECTIONS 18"
- ② STA. 669+54, 57.5' RT TO STA. 670+14, 51.5' RT
60 FOOT PIPE CULVERTS, CLASS D, TYPE 1 18"
W/ STEEL FLARED END SECTIONS 18"

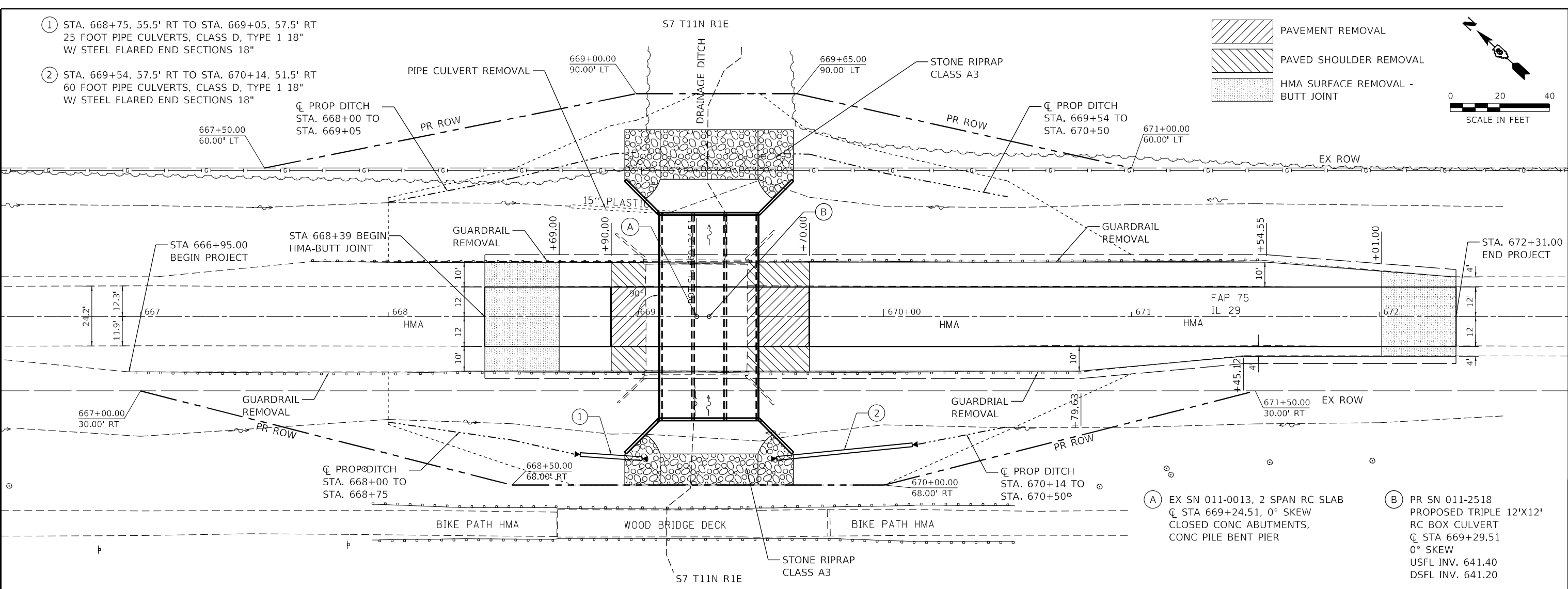


DATE	
BY	
PLAN	
NO.	
DATE	
BY	
PROFILE	
NO.	

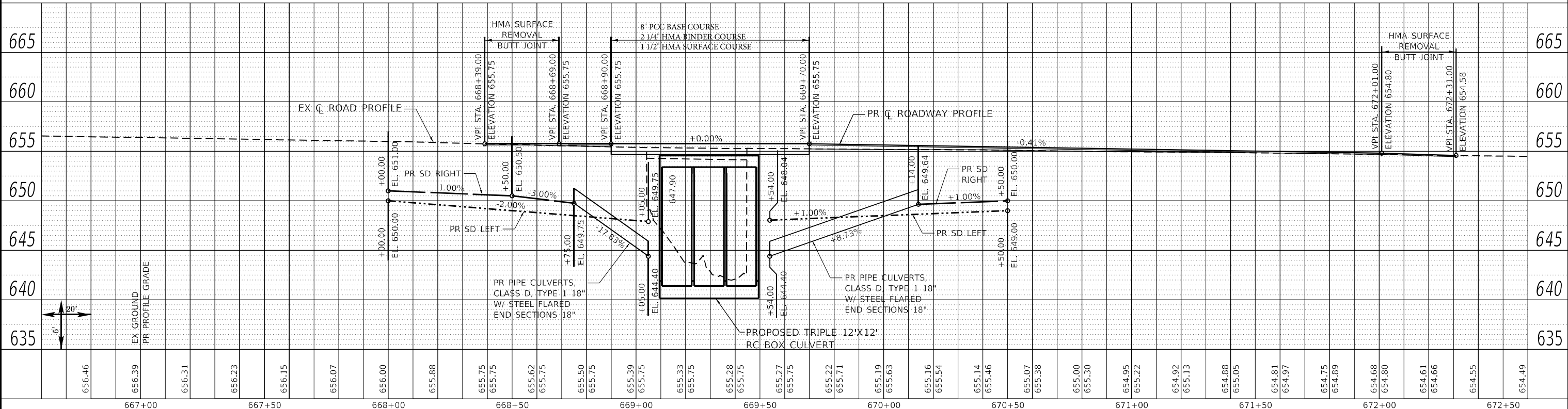
DATE	
BY	
PROFILE	
NO.	

DATE	
BY	
PROFILE	
NO.	

DATE	
BY	
PROFILE	
NO.	



- (A) EX SN 011-0013, 2 SPAN RC SLAB
CL STA 669+24.51, 0° SKEW
CLOSED CONC ABUTMENTS,
CONC PILE BENT PIER
- (B) PR SN 011-2518
PROPOSED TRIPLE 12'X12'
RC BOX CULVERT
CL STA 669+29.51
0° SKEW
USFL INV. 641.40
DSFL INV. 641.20



667+00	667+50	668+00	668+50	669+00	669+50	670+00	670+50	671+00	671+50	672+00	672+50																																						
656.46	656.39	656.31	656.23	656.15	656.07	656.00	655.88	655.75	655.75	655.62	655.75	655.50	655.75	655.39	655.75	655.33	655.75	655.28	655.75	655.27	655.75	655.22	655.71	655.19	655.63	655.16	655.54	655.14	655.46	655.07	655.38	655.00	655.30	654.95	655.22	654.92	655.13	654.88	655.05	654.81	654.97	654.75	654.89	654.68	654.80	654.61	654.66	654.55	654.49

KT KUHN & TRELLO
CONSULTING ENGINEERS
A Limited Liability Company
109 N. 7th Street, 3rd Floor
Springfield, IL 62702
Phone: 217-519-0244
Professional Design Firm No. 284-006516

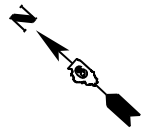
USER NAME = msutheard	DESIGNED -	REVISED -
	DRAWN -	REVISED -
PLOT SCALE = 40,0000' / in.	CHECKED -	REVISED -
PLOT DATE = 12/21/2022	DATE = 12/21/2022	REVISED -

**STATE OF ILLINOIS
DEPARTMENT OF TRANSPORTATION**

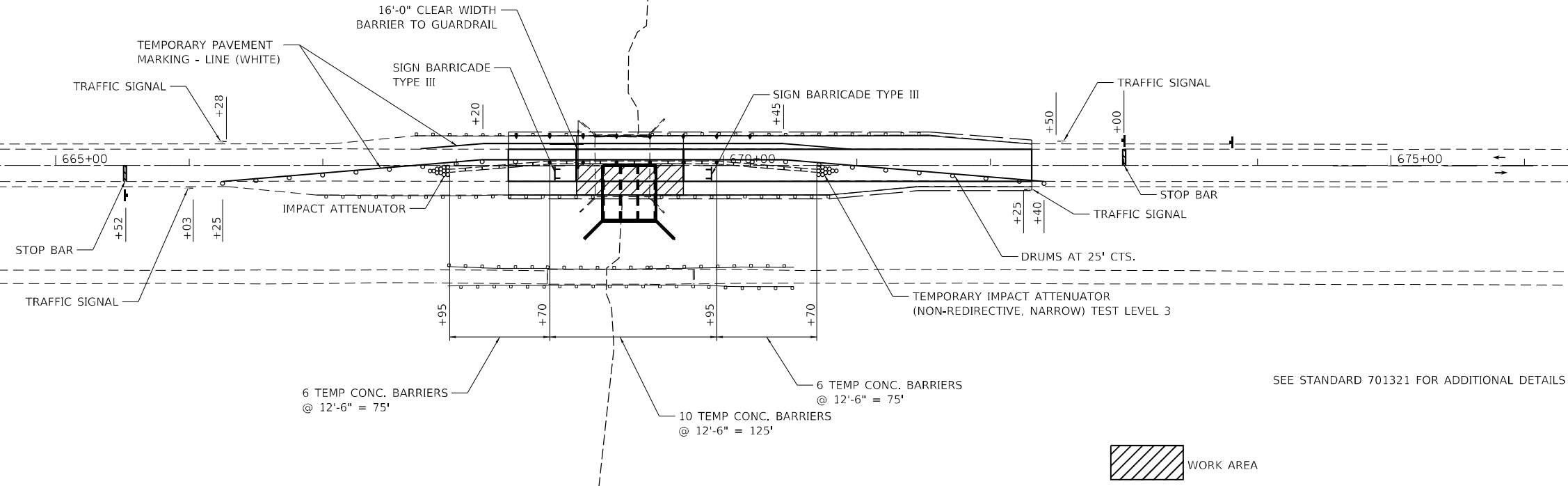
**PLAN AND PROFILE
FAP 75 (IL 29)**

SCALE: SHOWN SHEET OF SHEETS STA. 666+00 TO STA. 672+00

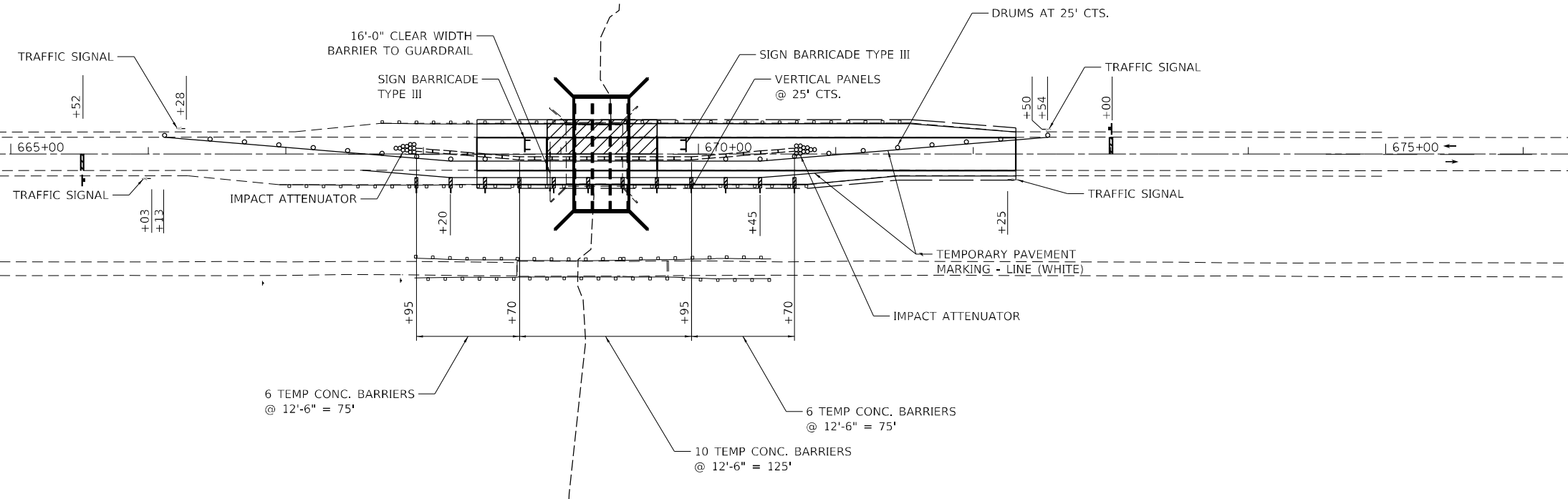
F.A.P. RTE. 75	SECTION 2B-2	COUNTY CHRISTIAN	TOTAL SHEETS 31	SHEET NO. 12
ILLINOIS FED. AID PROJECT			CONTRACT NO. 72G06	



STAGE 1



STAGE 2



MODEL: D:\p10\1130406_09 IDOT D6 - PTB 187-011 - W09 - Christian County 72G06\CADD\Draw\CADD\Sheet\872G06.dwg
 FILE NAME: 1130406_09 IDOT D6 - PTB 187-011 - W09 - Christian County 72G06\CADD\Draw\CADD\Sheet\872G06.dwg



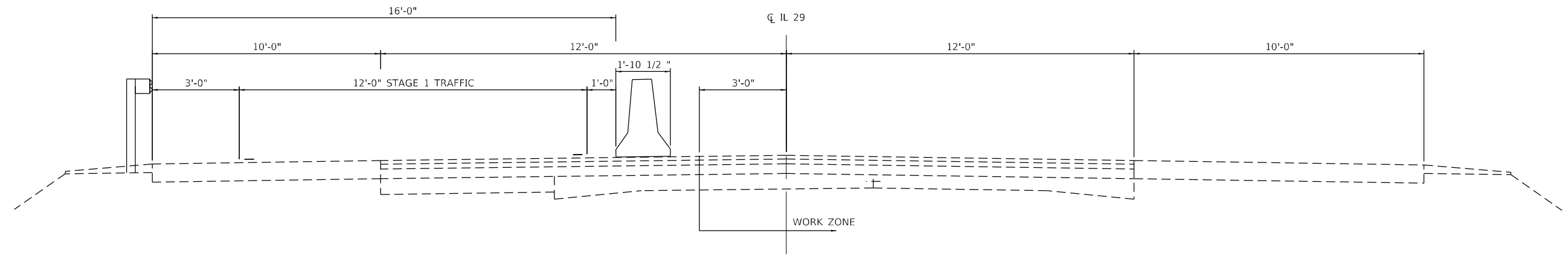
USER NAME = msutheard	DESIGNED -	REVISED -
PLOT SCALE = 100.0000' / in.	DRAWN -	REVISED -
PLOT DATE = 12/21/2022	CHECKED -	REVISED -
	DATE -	REVISED -

**STATE OF ILLINOIS
DEPARTMENT OF TRANSPORTATION**

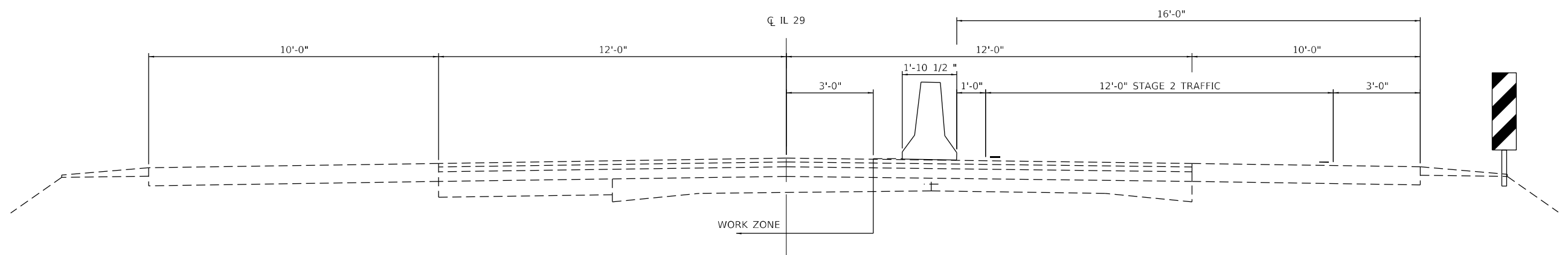
STAGING PLAN

SCALE: 100.0000' / in. SHEET 1 OF 1 SHEETS STA. TO STA.

F.A.I. RTE.	SECTION	COUNTY	TOTAL SHEETS	SHEET NO.
75	2B-2	CHRISTIAN	31	13
CONTRACT NO. 72G06				
ILLINOIS FED. AID PROJECT				



STAGE 1 TYPICAL



STAGE 2 TYPICAL



MODEL Path: \\130406.09 IDOT D6 - PTB 187-011 - W09 - Christian County 72G06\CADD\2021\CAD\Sheet\2B2\Stage1Typical.dgn
 FILE NAME: \\130406.09 IDOT D6 - PTB 187-011 - W09 - Christian County 72G06\CADD\2021\CAD\Sheet\2B2\Stage2Typical.dgn



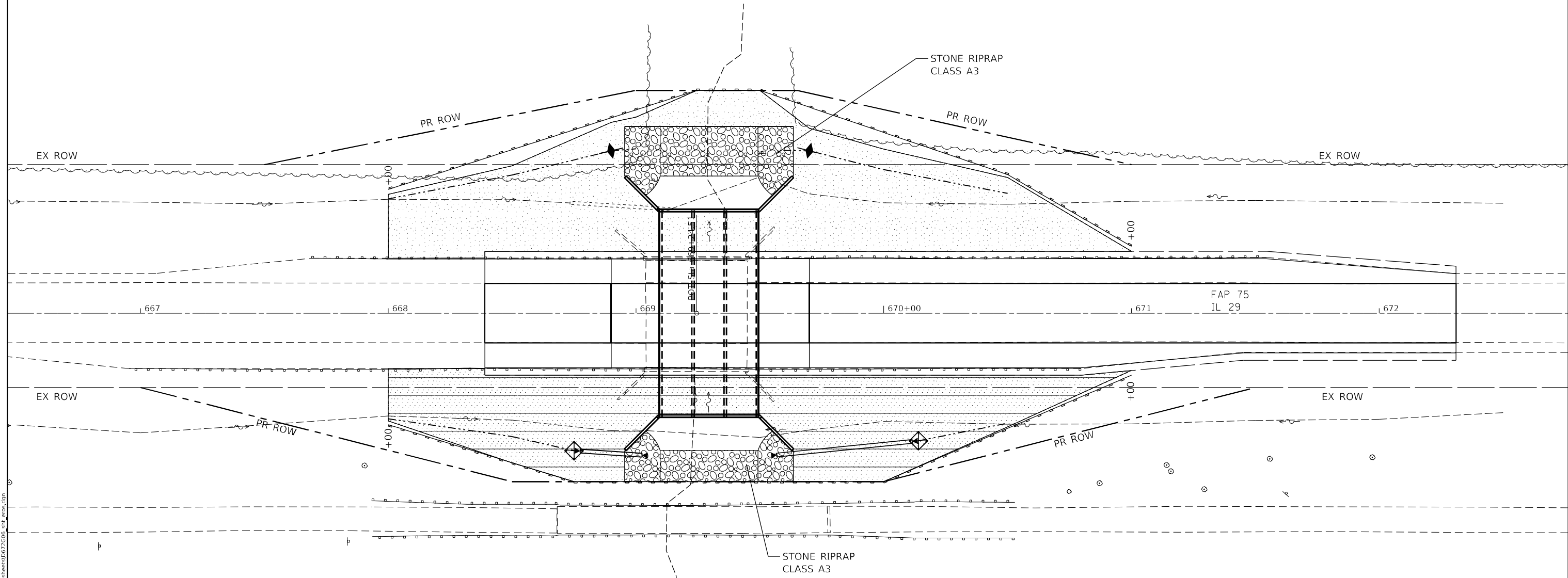
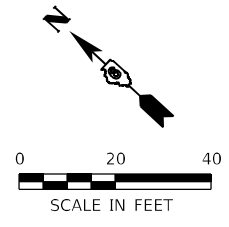
USER NAME = msutheard	DESIGNED -	REVISED -
PLOT SCALE = 40,0000' / in.	DRAWN -	REVISED -
PLOT DATE = 12/21/2022	CHECKED -	REVISED -
	DATE -	REVISED -





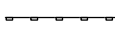
STATE OF ILLINOIS
DEPARTMENT OF TRANSPORTATION

STAGING TYPICALS

SCALE: SHEET OF SHEETS STA. TO STA.

F.A.P. RTE.	SECTION	COUNTY	TOTAL SHEETS	SHEET NO.
75	2B-2	CHRISTIAN	31	14
CONTRACT NO. 72G06				
ILLINOIS FED. AID PROJECT				



-  SEEDING, CLASS 2 & TEMPORARY EROSION CONTROL SEEDING
-  SEEDING, CLASS 4 & 5A, & TEMPORARY EROSION CONTROL SEEDING
-  TEMPORARY DITCH CHECK
-  INLET AND PIPE PROTECTION
-  PERIMETER EROSION BARRIER

MODEL: D:\eroc\1130462.09 IDOT D6 - PTB 187-011 - W09 - Christian County 72G06\CADD\23a\CADD\sheet\1877206_ait_eros.dwg
 FILE NAME: 1130462.09 IDOT D6 - PTB 187-011 - W09 - Christian County 72G06\CADD\23a\CADD\sheet\1877206_ait_eros.dwg
 Professional Design Firm No. 184-006536



USER NAME = msutheard	DESIGNED -	REVISED -
PLOT SCALE = 40,0000' / in.	DRAWN -	REVISED -
PLOT DATE = 12/21/2022	CHECKED -	REVISED -
	DATE -	REVISED -

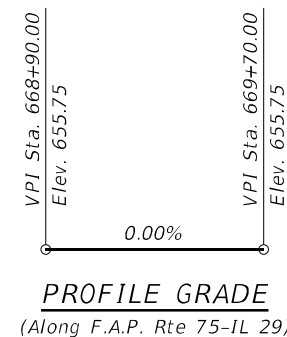
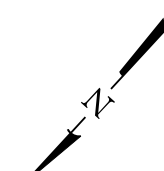
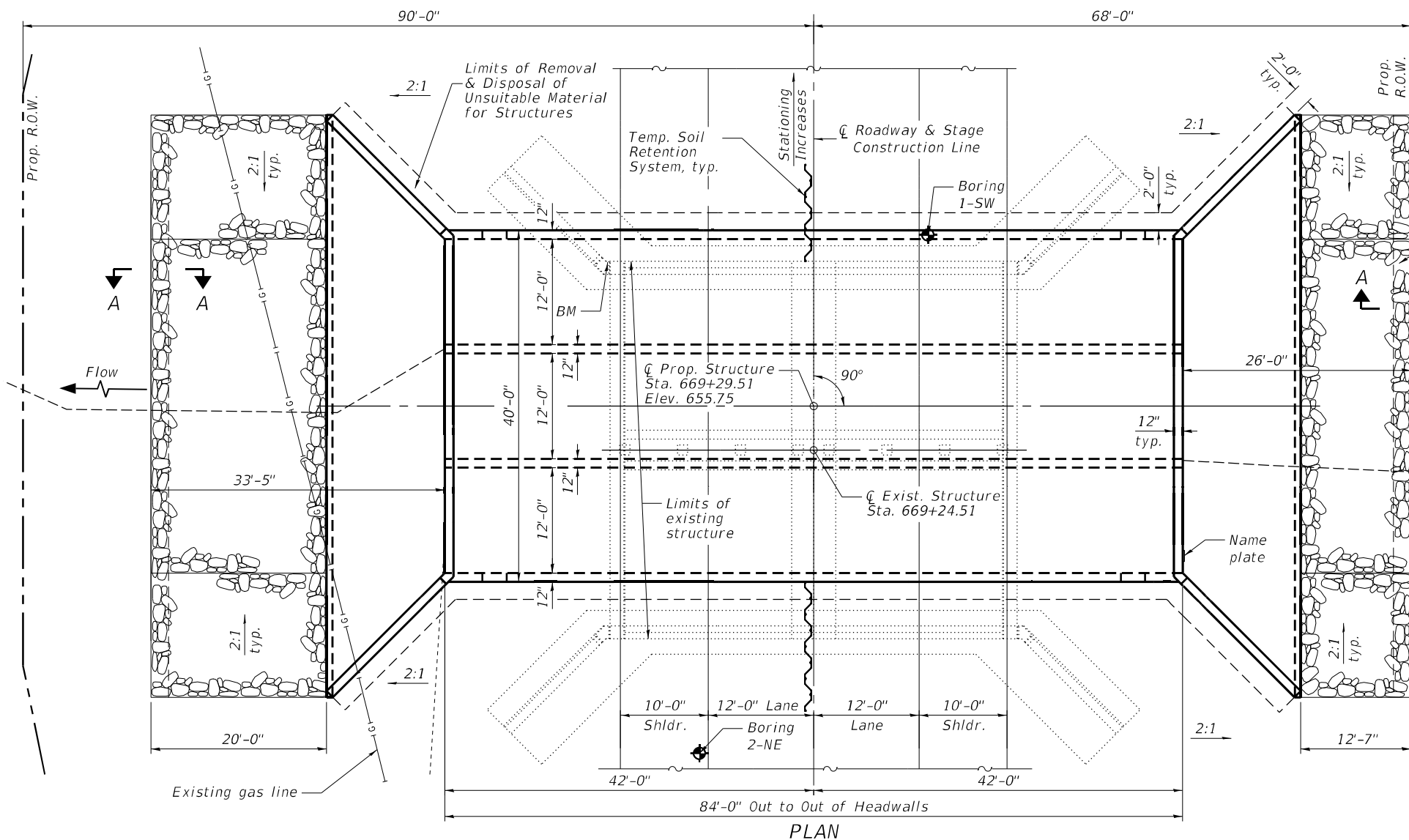
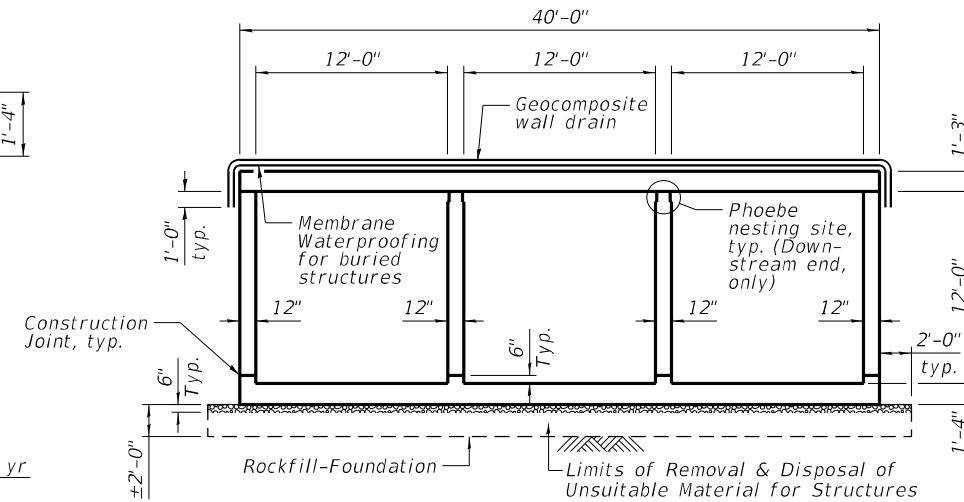
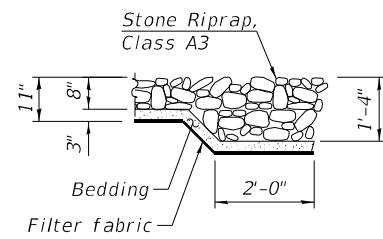
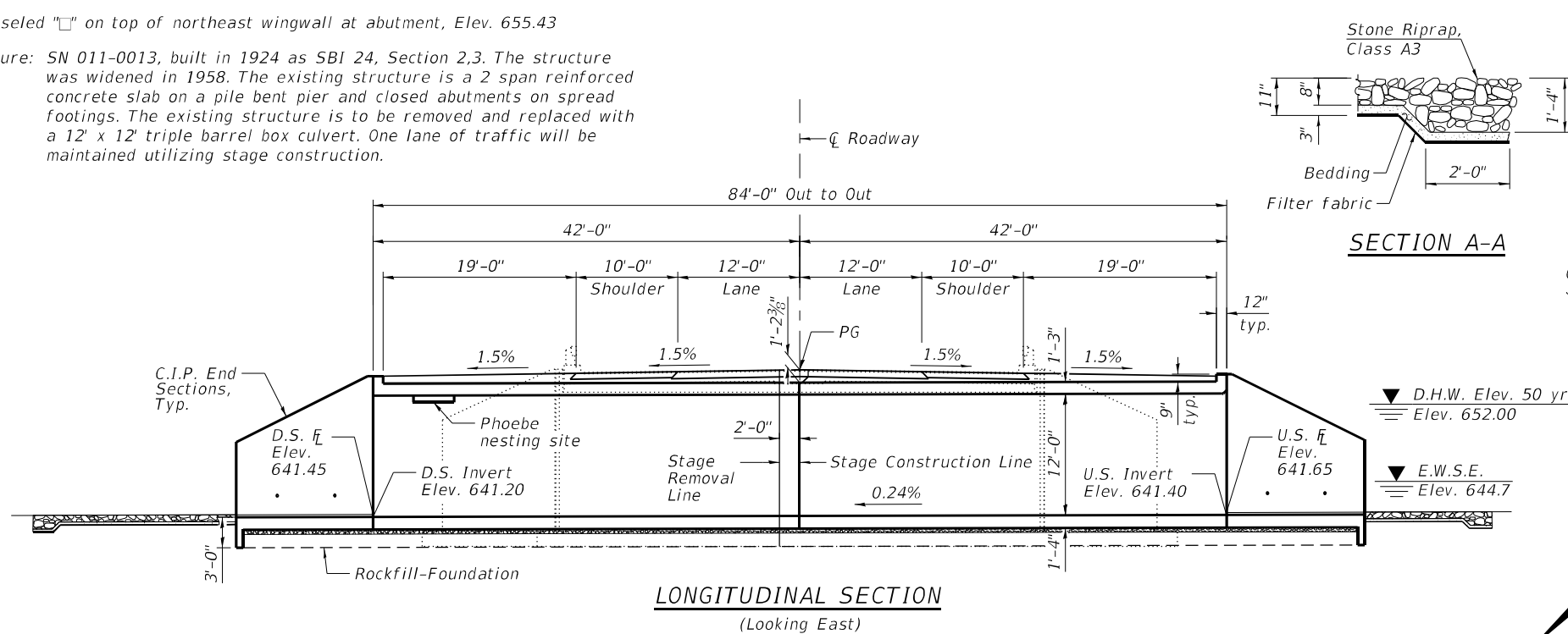
STATE OF ILLINOIS
DEPARTMENT OF TRANSPORTATION

EROSION CONTROL PLAN		F.A.P. RTE.	SECTION	COUNTY	TOTAL SHEETS	SHEET NO.
		75	2B-2	CHRISTIAN	31	15
SCALE:		SHEET OF SHEETS		STA. TO STA.	CONTRACT NO. 72G06	
				ILLINOIS FED. AID PROJECT		

Benchmark: Chiseled "C" on top of northeast wingwall at abutment, Elev. 655.43

Existing Structure: SN 011-0013, built in 1924 as SBI 24, Section 2,3. The structure was widened in 1958. The existing structure is a 2 span reinforced concrete slab on a pile bent pier and closed abutments on spread footings. The existing structure is to be removed and replaced with a 12' x 12' triple barrel box culvert. One lane of traffic will be maintained utilizing stage construction.

No Salvage



DESIGN SPECIFICATIONS

2020 AASHTO LRFD Bridge Design Specifications, 9th edition

LOADING HL-93

(NEW CONSTRUCTION)

Allow 50#/sq ft for future wearing surface

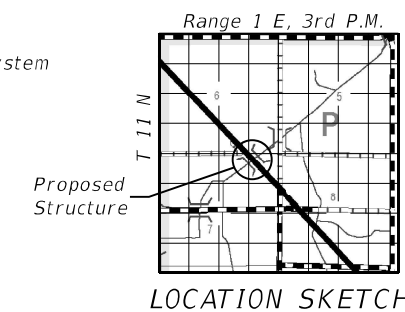
DESIGN STRESSES

FIELD AND EXISTING UNITS

f'c = 3,500 psi (concrete)
fy = 60,000 psi (reinforcement)

INDEX OF SHEETS

- 1 General Plan and Elevation
- 2 General Data
- 3 Staging Details
- 4 Temporary Soil Retention System
- 5 Temporary Concrete Barrier
- 6 - 9 Culvert Details
- 10 Bar Splicer Details
- 11 Soil Boring Logs



Date: 1/27/2023
Expires: 11/30/2024

GENERAL PLAN
IL 29 OVER MAIN DRAINAGE DITCH
F.A.P. RTE. 75 SEC. 2B-2
CHRISTIAN COUNTY
STATION 669+29.51
S.N. 011-2518

FILE NAME = I:\21046.02\DOT D6 - W02 - Christian County 72G06 Structure Plans\CADD\CADD\Drawings\0112518-2506-001-09E.dgn
 MODEL = SMOBELS
 PLOT DRIVER = SPLDRV55



USER NAME = rmyoung
 PLOT SCALE = 0.1667' / in.
 PLOT DATE = 1/27/2023

DESIGNED - SPN
 CHECKED - MJT
 DRAWN - MMY
 CHECKED - SPN/MJT

REVISED -
 REVISED -
 REVISED -
 REVISED -

STATE OF ILLINOIS
DEPARTMENT OF TRANSPORTATION

SHEET 1 OF 11 SHEETS

F.A.P. RTE.	SECTION	COUNTY	TOTAL SHEETS	SHEET NO.
75	2B-2	CHRISTIAN	31	16
CONTRACT NO. 72G06				
ILLINOIS FED. AID PROJECT				

GENERAL NOTES

Excavate behind the existing abutment prior to superstructure removal. The Contractor shall sawcut the upper portion of the existing abutment at the stage removal line before Stage 1 removal to ensure the remaining portion will not be prematurely damaged.

Existing structure to be removed full depth within 2 feet of proposed culvert barrel and wingwall footprint.

The limits and quantities of Removal and Disposal of Unsuitable Material for Structures shown are based on the boring data and may be modified by the District Geotechnical and Field Engineers for variable subsurface conditions encountered in the field.

Layout of the slope protection system may be varied to suit ground conditions in the field as directed by the Engineer.

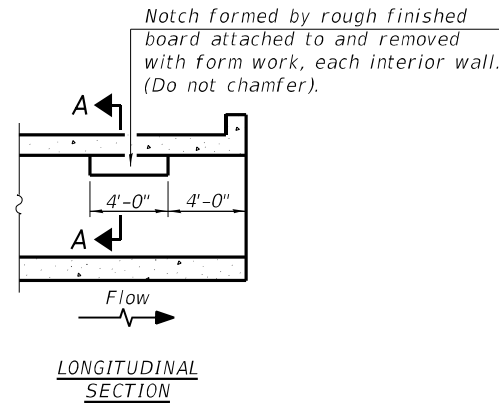
Precast Alternate not allowed for box culvert and end sections.

Rock Fill-Foundation shall be used to backfill the excavation and is capped with 6 inches of CA-7. 6 inch cap is included in Rock Fill-Foundation.

It shall be the responsibility of the Contractor to divert flow during construction in order to keep construction areas free of water. The method of water diversion shall be subject to the approval of the Engineer and shall be included in the cost of Concrete Box Culverts.

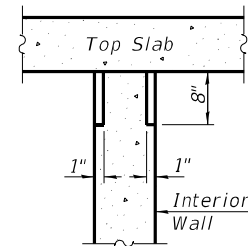
For backfilling and embankment, see Standard Specifications, except that Granular Culvert Backfill shall be placed as shown in Granular Culvert Backfill Detail. See roadway plans.

Geocomposite Wall Drain shall be according to Section 591 of the Standard Specifications, except that concrete nails shall not be used in areas where it overlaps Membrane Waterproofing System for Buried Structures.



STATION 669+29.51
BUILT 20 BY
STATE OF ILLINOIS
F.A.P. 75 SEC 2B-2
LOADING HL-93
STRUCTURE NO. 011-2518

NAME PLATE
See Std. 515001



SECTION A-A

PHOEBE NESTING
SITE DETAILS
(Downstream End Only)

WATERWAY INFORMATION

Exist. Overtopping Elev. = 654.42 @ Sta. 673+00										
Drainage Area = 7.0 sq. mi. Prop. Overtopping Elev. = 654.42 @ Sta. 673+00										
Flood Event	Freq. Yr.	Q C.F.S.	Opening Sq. Ft.		Nat. H.W.E.		Head - Ft.		Headwater El.	
			Exist.	Prop.	Exist.	Prop.	Exist.	Prop.	Exist.	Prop.
Ten-Year	10	1,290	248	236	651.3	0.5	0.1	651.8	651.4	
Design	50	2,120	275	261	652.0	1.1	0.3	653.1	652.3	
Base	100	2,490	282	268	652.2	1.5	0.5	653.7	652.7	
Overtop Exist.	293	2,929	294	279	652.5	1.9	0.8	654.4	653.3	
Max. Calc.	500	3,400	301	286	652.7	2.5	1.1	655.2	653.8	

10 Yr. average velocity from existing structure = 5.2 fps
10 Yr. outlet velocity from proposed structure = 3.6 fps

TOTAL BILL OF MATERIAL

ITEM	UNIT	TOTAL
Stone Riprap, Class A3	Sq. Yd.	274
Filter Fabric	Sq. Yd.	274
Removal of Existing Structures	Each	1
Reinforcement Bars	Pound	120,110
Name Plates	Each	1
Temporary Soil Retention System	Sq. Ft.	986
Concrete Box Culverts	Cu. Yd.	581
Geocomposite Wall Drain	Sq. Yd.	405
Membrane Waterproofing System For Buried Structures	Sq. Yd.	405
Rock Fill-Foundation	Ton	611
Granular Culvert Backfill	Cu. Yd.	411
Bar Splicers	Each	268
Removal and Disposal of Unsuitable Material for Structures	Cu. Yd.	382

FILE NAME = I:\21046.02\DOT D6 - W02 - Christian County 72G06 Structure\Main\CADD\DWG\Sheets\0112518-72G06-002-GenData.dgn
MODEL = SMDRVS
PLOT DRIVER = SPLDRVS5

KT
KUHN & TRELLO
CONSULTING ENGINEERS
A Limited Liability Company
100 N. 7th Street, 3rd Floor
Springfield, IL 62702
Phone: 217-616-0044
Professional Design Firm No. 284-006516

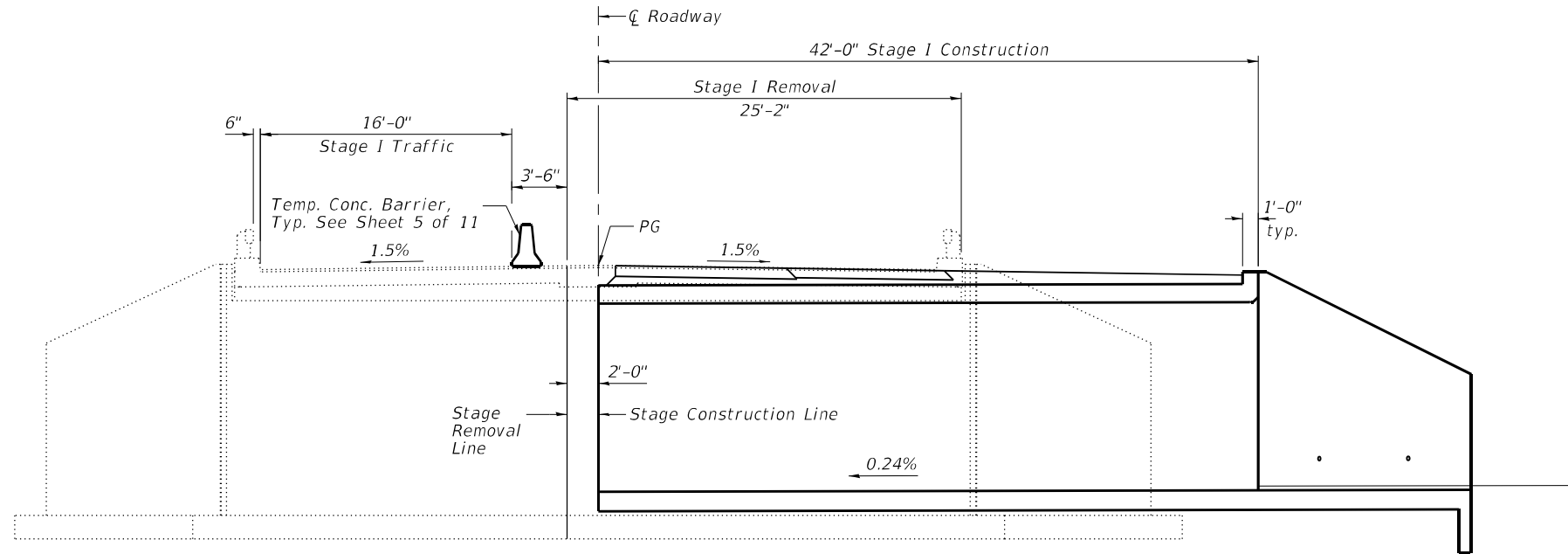
USER NAME = myoung	DESIGNED - SPN	REVISED -
PLOT SCALE = 0.1667' / in.	CHECKED - MJT	REVISED -
PLOT DATE = 1/27/2023	DRAWN - MMY	REVISED -
	CHECKED - SPN/MJT	REVISED -

STATE OF ILLINOIS
DEPARTMENT OF TRANSPORTATION

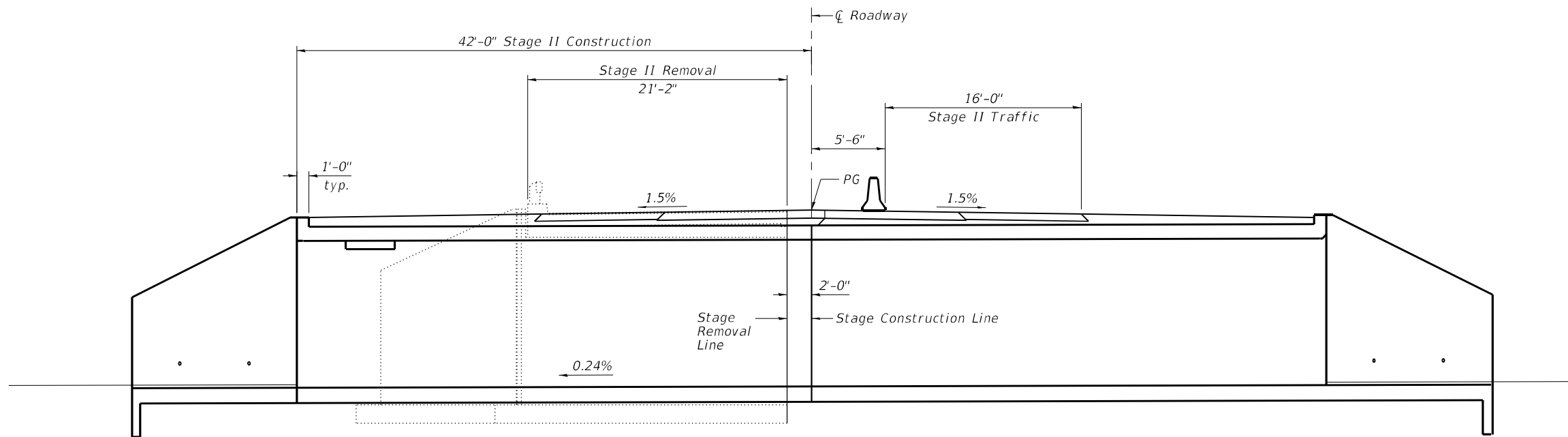
GENERAL DATA
STRUCTURE NO. 011-2518

SHEET 2 OF 11 SHEETS

F.A.P. RTE.	SECTION	COUNTY	TOTAL SHEETS	SHEET NO.
75	2B-2	CHRISTIAN	31	17
CONTRACT NO. 72G06				
ILLINOIS FED. AID PROJECT				



STAGE I CONSTRUCTION
(Looking East)



STAGE II CONSTRUCTION
(Looking East)

Note:
For quantity of Temporary Concrete Barrier, see Roadway plans.

FILE NAME = I:\21046.02 IDOT D6 - W02 - Christian County 72G06 Structure Plans\CADD\Drawings\0112518-72506-003-staging.dgn
 MODEL = S:\MODELS
 PLOT DRIVER = SPLDRV55



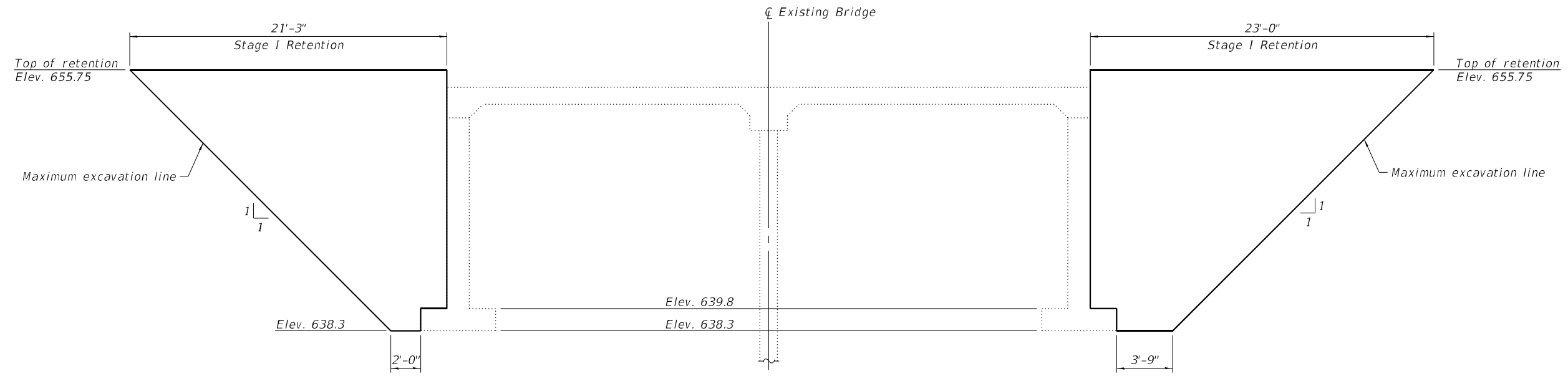
USER NAME = myoung	DESIGNED - SPN	REVISED -
PLOT SCALE = 0.1667' / in.	CHECKED - MJT	REVISED -
PLOT DATE = 1/27/2023	DRAWN - MMY	REVISED -
	CHECKED - SPN/MJT	REVISED -

STATE OF ILLINOIS
DEPARTMENT OF TRANSPORTATION

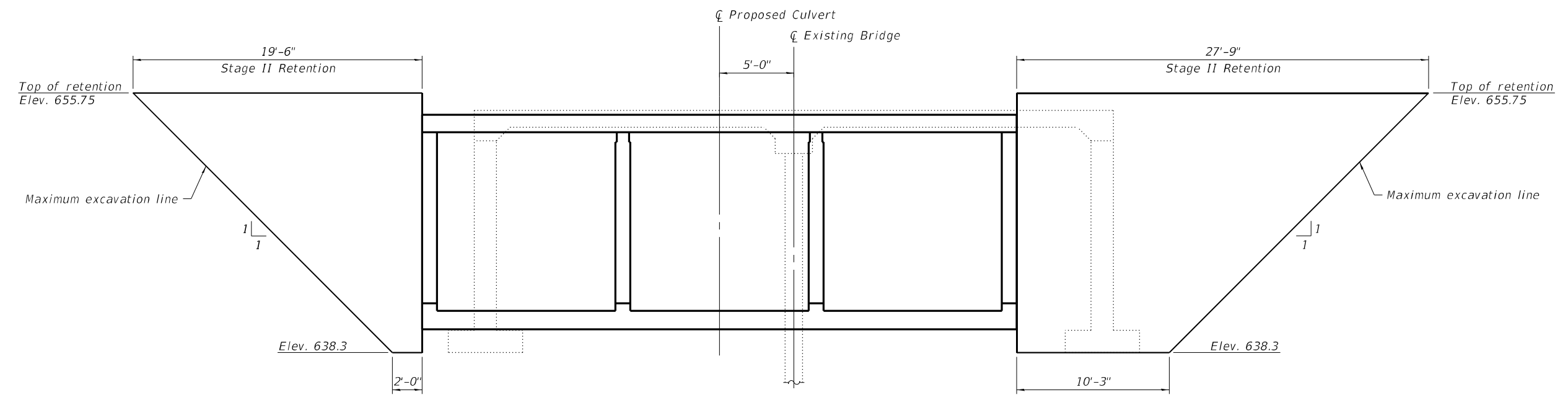
STAGING DETAILS
STRUCTURE NO. 011-2518

SHEET 3 OF 11 SHEETS

F.A.P. RTE.	SECTION	COUNTY	TOTAL SHEETS	SHEET NO.
75	2B-2	CHRISTIAN	31	18
CONTRACT NO. 72G06				
ILLINOIS FED. AID PROJECT				



STAGE I RETENTION SYSTEM
(Looking North)



STAGE II RETENTION SYSTEM
(Looking South)

Note:
A cantilevered sheet piling design does not appear feasible and additional members or other retention systems may be necessary. The Contractor shall submit a temporary soil retention system design including plan details and calculations for review and acceptance by the Engineer.

FILE NAME = I:\21046.02 IDOT D6 - W02 - Christian County 72G06 Structure\Main\CADD\Drawings\0112518-72506-004-soll-ret-er.dgn
 MODEL = S:\MODELS
 PLOT DRIVER = SPLDRV55



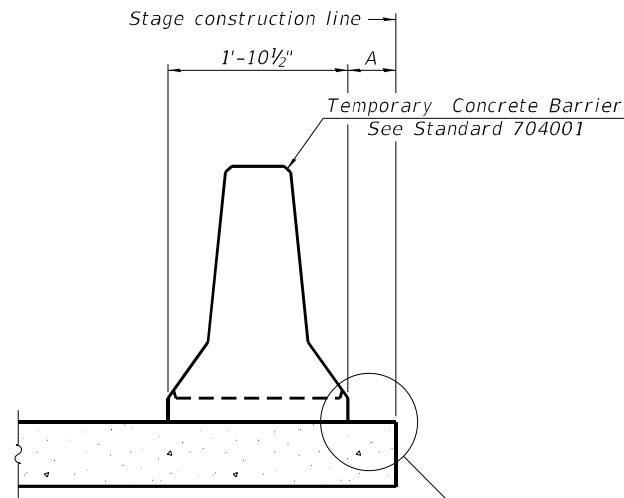
USER NAME = rmyoung	DESIGNED - SPN	REVISED -
PLOT SCALE = 8:0" = 1" / in.	CHECKED - MJT	REVISED -
PLOT DATE = 1/27/2023	DRAWN - MMY	REVISED -
	CHECKED - SPN/MJT	REVISED -

**STATE OF ILLINOIS
DEPARTMENT OF TRANSPORTATION**

**TEMPORARY SOIL RETENTION SYSTEM
STRUCTURE NO. 011-2518**

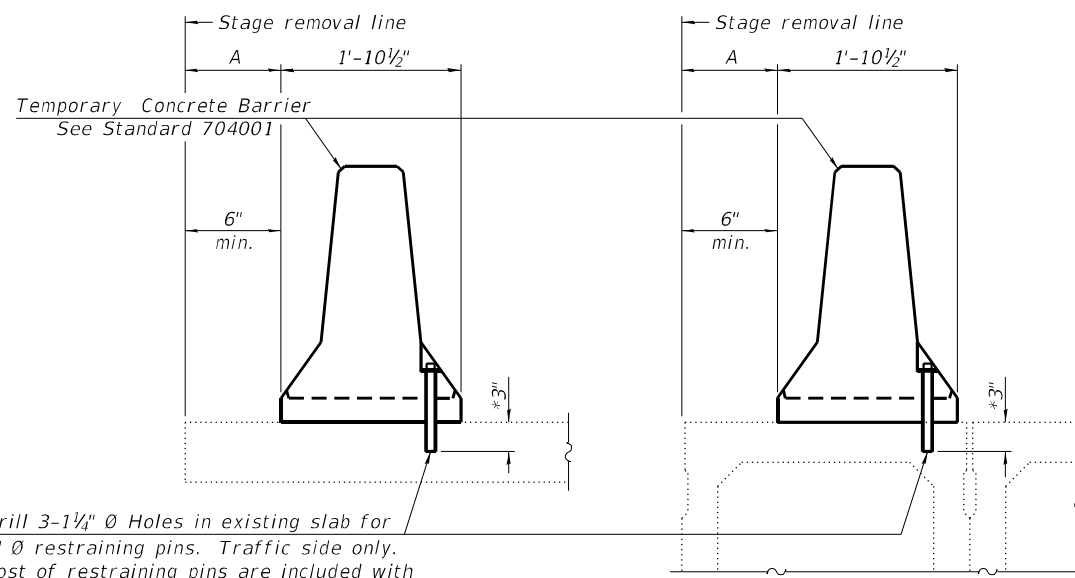
SHEET 4 OF 11 SHEETS

F.A.P. RTE.	SECTION	COUNTY	TOTAL SHEETS	SHEET NO.
75	2B-2	CHRISTIAN	31	19
CONTRACT NO. 72G06				
ILLINOIS FED. AID PROJECT				



When "A" is 3'-1" or less, the temporary concrete barrier shall be restrained to the new slab according to Detail I, II or III. No restraint is required when "A" is greater than 3'-1".

NEW SLAB OR NEW DECK BEAM



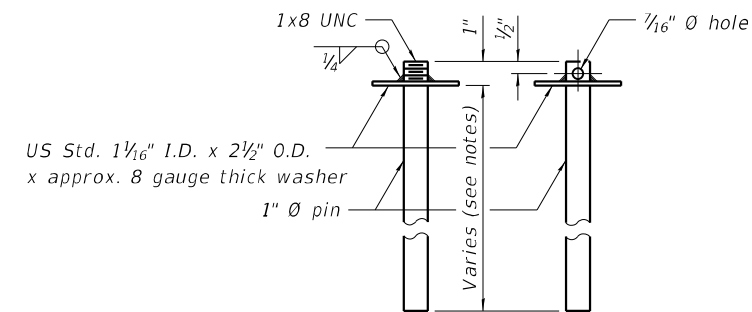
Drill 3-1/4" Ø Holes in existing slab for 1" Ø restraining pins. Traffic side only. Cost of restraining pins are included with Temporary Concrete Barrier. No restraint is required when "A" is greater than 3'-1".

EXISTING SLAB

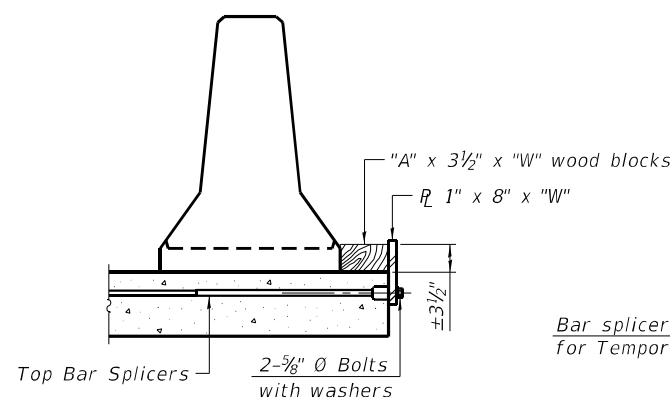
* When hot-mix asphalt wearing surface is present, embedment shall be 3" plus the wearing surface depth.

EXISTING DECK BEAM

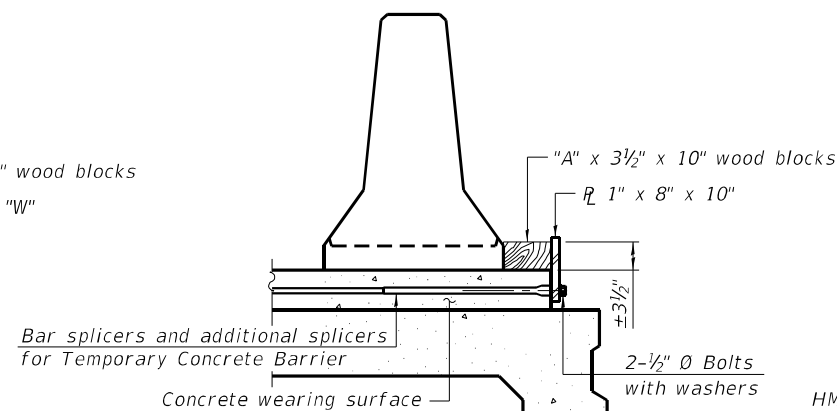
SECTIONS THRU SLAB OR DECK BEAM



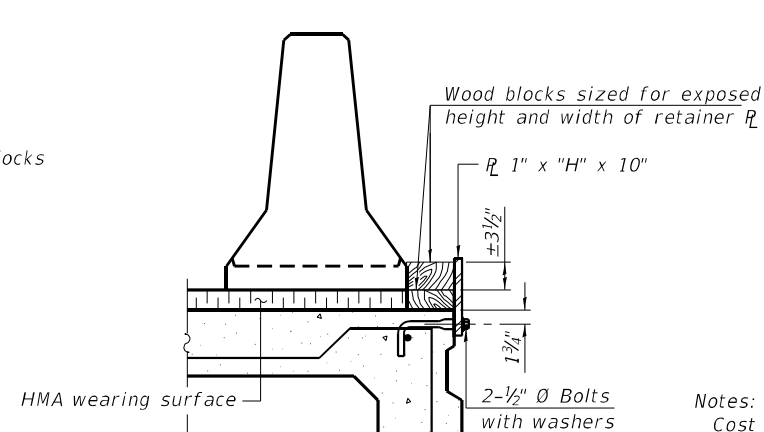
RESTRAINING PIN



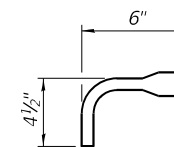
DETAIL I



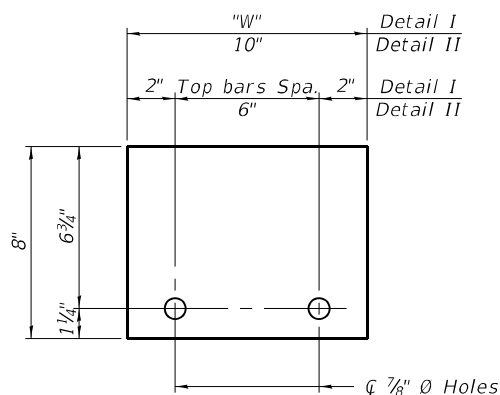
DETAIL II



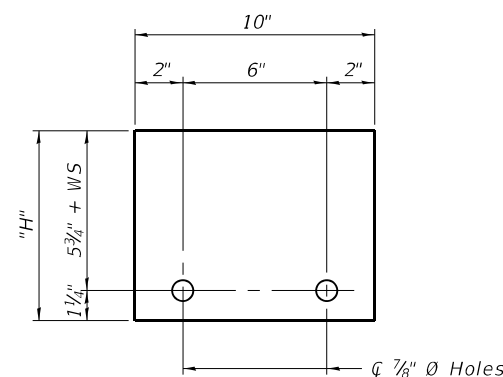
DETAIL III



BAR SPLICER FOR #4 BAR - DETAIL III



STEEL RETAINER R 1" x 8" x "W"
(Detail I and II)



STEEL RETAINER R 1" x "H" x 10"
(Detail III)

Notes:
 Cost of retainer assembly is included with Temporary Concrete Barrier.
 A retainer assembly shall be located at the approximate \bar{c} of each temporary concrete barrier.
 The retainer plate shall not be removed until the concrete on the adjacent stage is ready to be poured. For Detail III applications the retainer plate shall not be removed until just prior to placing the adjacent beam.
 When the 'A' dimension is less than 1 1/2', the wood block shall be omitted and the barrier shall be placed in direct contact with the steel retainer plate. For deck beam applications the minimum required 'A' distance is 6" to accommodate the shear key clamping device.

Detail I - Installation for a new bridge deck or bridge slab.
 Detail II - Installation for a new deck beam with an initial concrete wearing surface. Additional bar splicers shall be provided at 6'-0" centers and paired with the bar splicers of the concrete wearing surface reinforcement to accommodate the installation of the retainer assemblies. The cost of the additional bar splicers is included with the concrete wearing surface.
 Detail III - Installation for a new deck beam with no initial wearing surface or with an initial hot-mix asphalt (HMA) wearing surface present. The deck beam directly beneath the temporary concrete barrier shall be fabricated with bar splicer inserts in the side of the beam, as detailed, to accommodate the installation of the retainer assemblies. A pair of bar splicers, 6" apart, shall be placed at 6'-0" centers along the length of the beam. The cost of the bar splicers is included with the deck beam.

RAILING CRITERIA

NCHRP 350 Test Level	3
Railing Weight (plf)	440

R-27 10-12-2021

FILE NAME = I:\21046.02\DOT D6 - W02 - Christian County 72G06 Structure Plans\CADD\Drawings\0112518-72G06-005-barrier.dgn
 MODEL = SMDRVS
 PLOT DRIVER = SPLDRV55



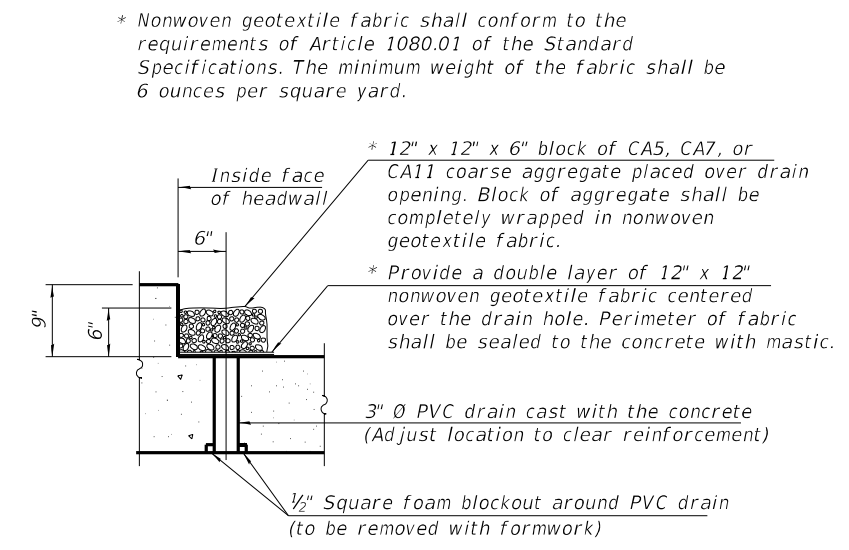
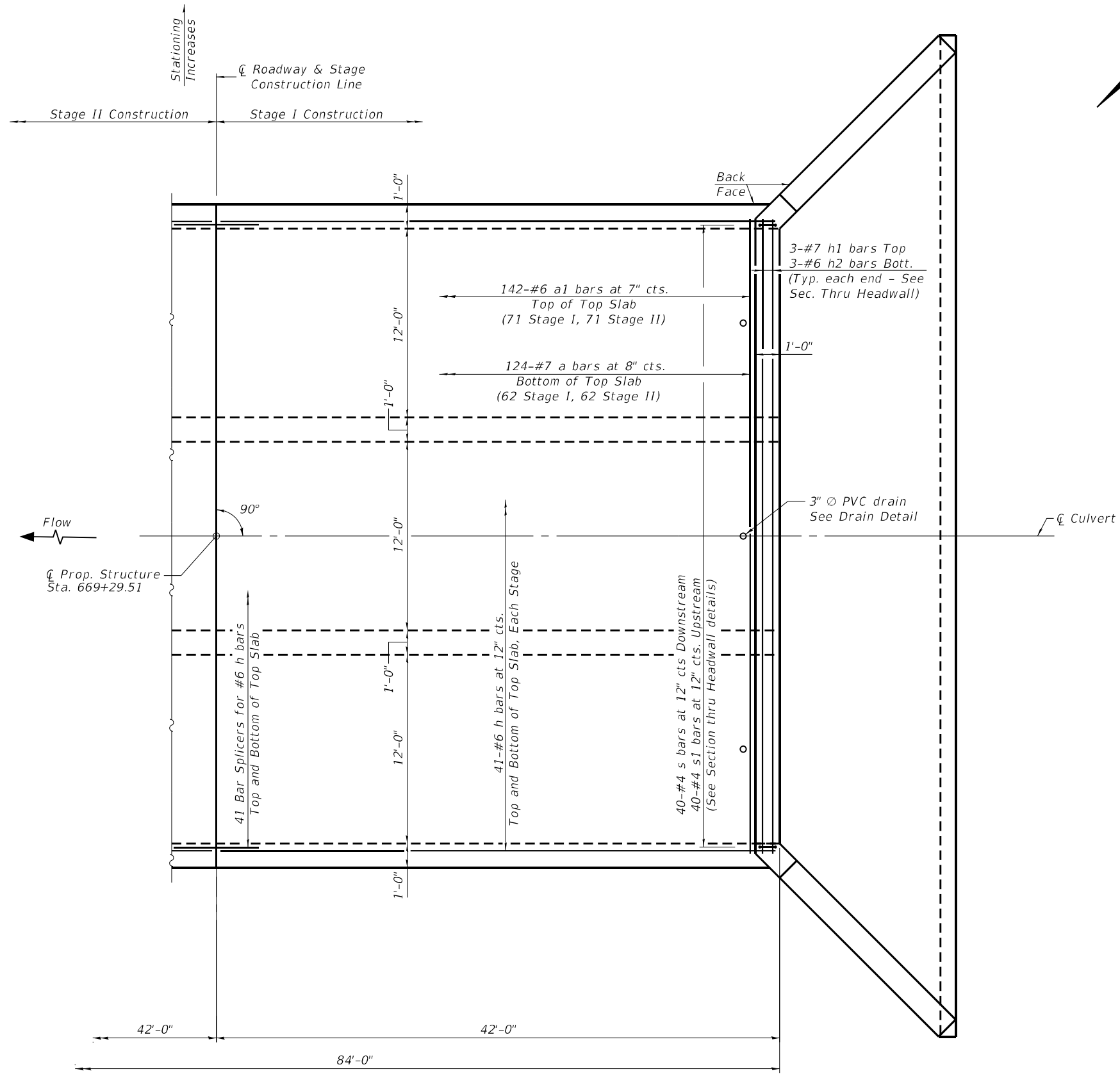
USER NAME = myoung	DESIGNED - SPN	REVISED -
PLOT SCALE = 0.1667' / in.	CHECKED - MJT	REVISED -
PLOT DATE = 12/21/2022	DRAWN - MMY	REVISED -
	CHECKED - SPN/MJT	REVISED -

STATE OF ILLINOIS
DEPARTMENT OF TRANSPORTATION

TEMPORARY CONCRETE BARRIER
STRUCTURE NO. 011-2518

SHEET 5 OF 11 SHEETS

F.A.P. R/E.	SECTION	COUNTY	TOTAL SHEETS	SHEET NO.
75	2B-2	CHRISTIAN	31	20
CONTRACT NO. 72G06				
ILLINOIS FED. AID PROJECT				



DRAIN DETAIL
 (All costs associated with furnishing and constructing the above drain detail will not be measured for payment but shall be included in the contract unit price for the associated work.)

PLAN - TOP SLAB
 (South end & Stage I shown; Stage II & North end similar opposite hand)

Note:
 See sheet 8 of 11 for Section Thru Headwall details.

FILE NAME = I:\21046.02\DOT D6 - W02 - Christian County 72G06 Structure\Main\CADD\CAD\Sheets\0112518-72G06-006-top-slab.dgn
 MODEL = S:\MODELS
 PLOT DRIVER = SPLTRNVS5



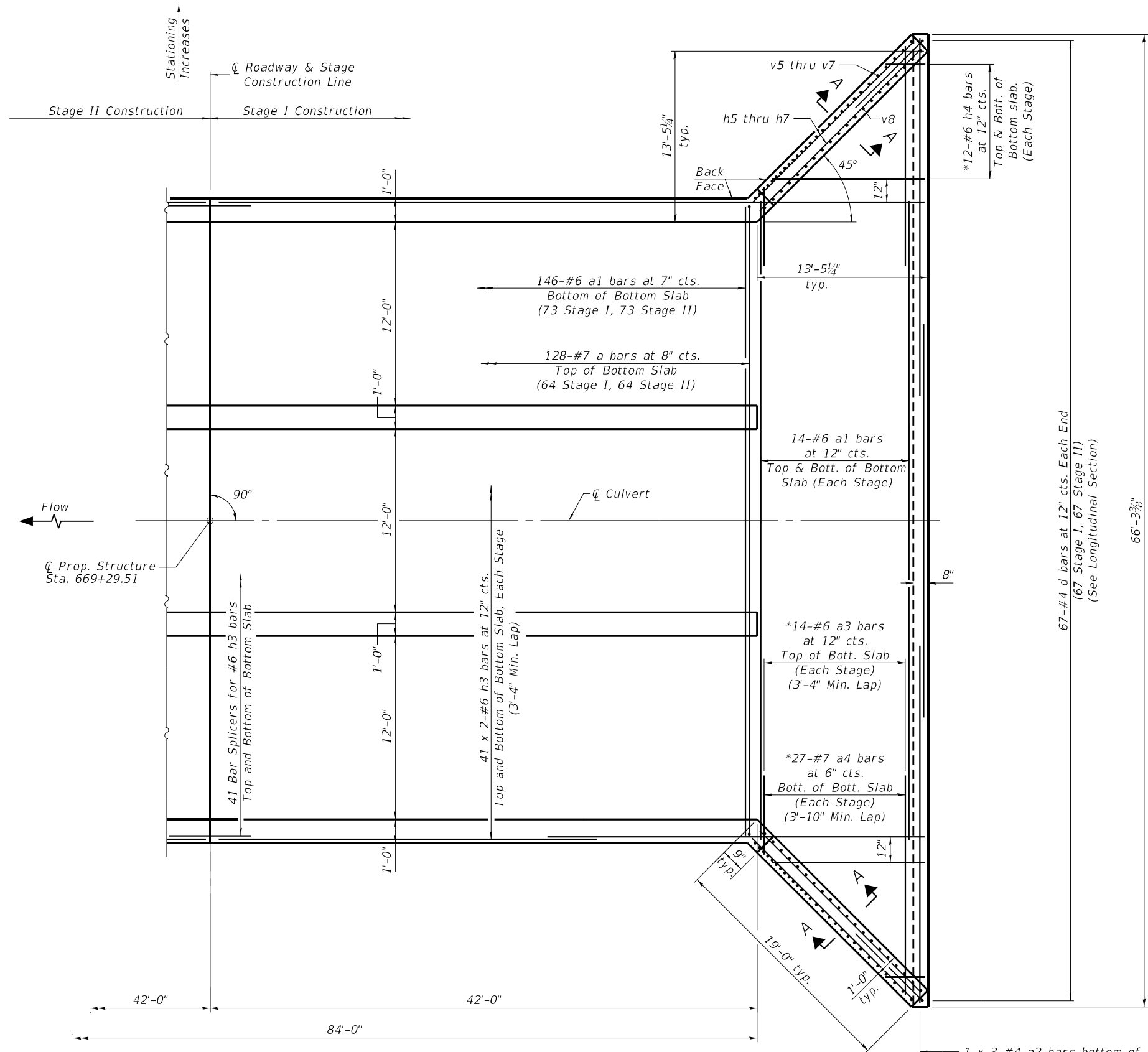
USER NAME = myoung	DESIGNED - SPN	REVISED -
PLOT SCALE = 0.1667' / in.	CHECKED - MJT	REVISED -
PLOT DATE = 1/31/2023	DRAWN - MMY	REVISED -
	CHECKED - SPN/MJT	REVISED -

STATE OF ILLINOIS
 DEPARTMENT OF TRANSPORTATION

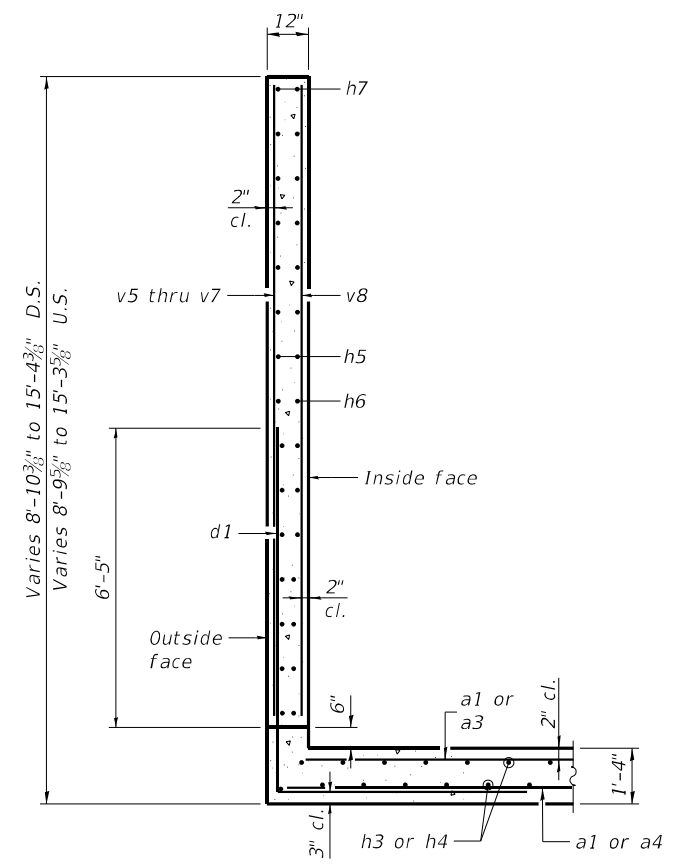
CULVERT DETAILS - TOP SLAB PLAN
 STRUCTURE NO. 011-2518

SHEET 6 OF 11 SHEETS

F.A.P. RTE.	SECTION	COUNTY	TOTAL SHEETS	SHEET NO.
75	2B-2	CHRISTIAN	31	21
CONTRACT NO. 72G06				
ILLINOIS FED. AID PROJECT				



PLAN - BOTTOM SLAB
(South end & Stage I shown; Stage II & North end similar opposite hand)



SECTION A-A

MIN. BAR LAP

#4	2'-3"
#6	3'-4"
#7	3'-10"

Note:
See sheet 8 of 11 for Longitudinal Section.

* Cut and use remaining at other side.
Opposite corner of end section.

FILE NAME = I:\2016\02\DOT D6 - W02 - Christian County 72G06 Structure\Main\CADD\DWG\CAD\Sheet\0112518-72G06-007-bott-4bh.dgn
 MODEL = SMDRVS
 PLOT DRIVER = SPTDRVS5



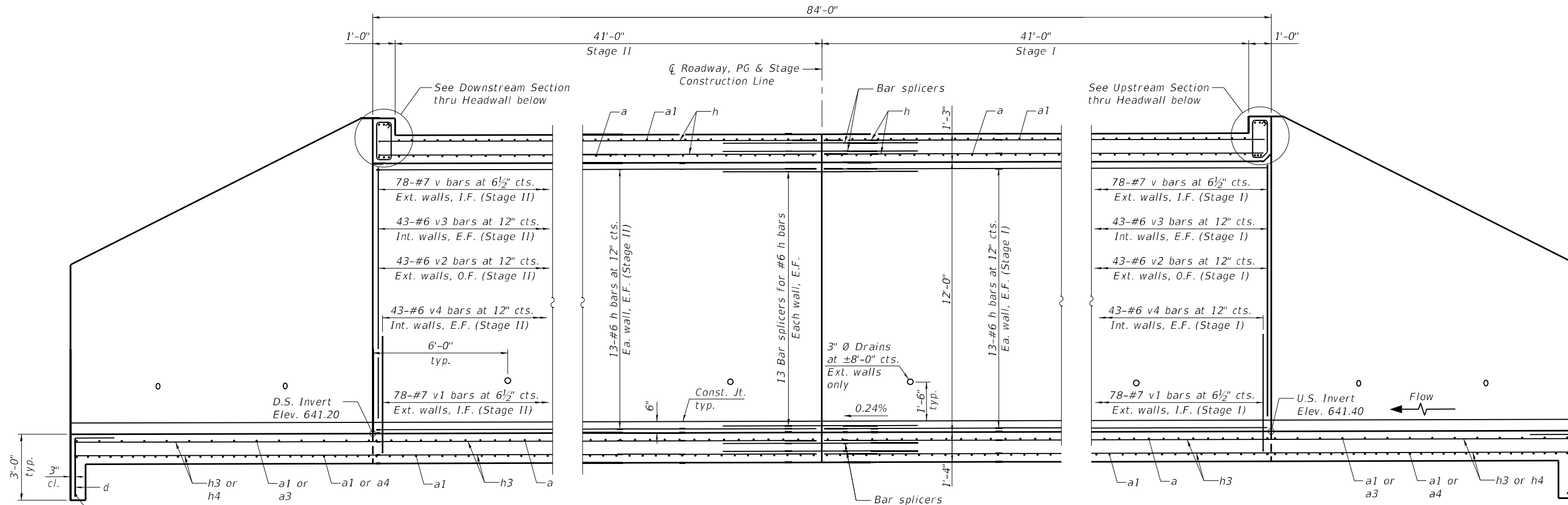
USER NAME = rmyoung	DESIGNED - SPN	REVISED -
PLOT SCALE = 0.1667' / in.	CHECKED - MJT	REVISED -
PLOT DATE = 1/31/2023	DRAWN - MMY	REVISED -
	CHECKED - SPN/MJT	REVISED -

**STATE OF ILLINOIS
DEPARTMENT OF TRANSPORTATION**

**CULVERT DETAILS - BOTTOM SLAB PLAN
STRUCTURE NO. 011-2518**

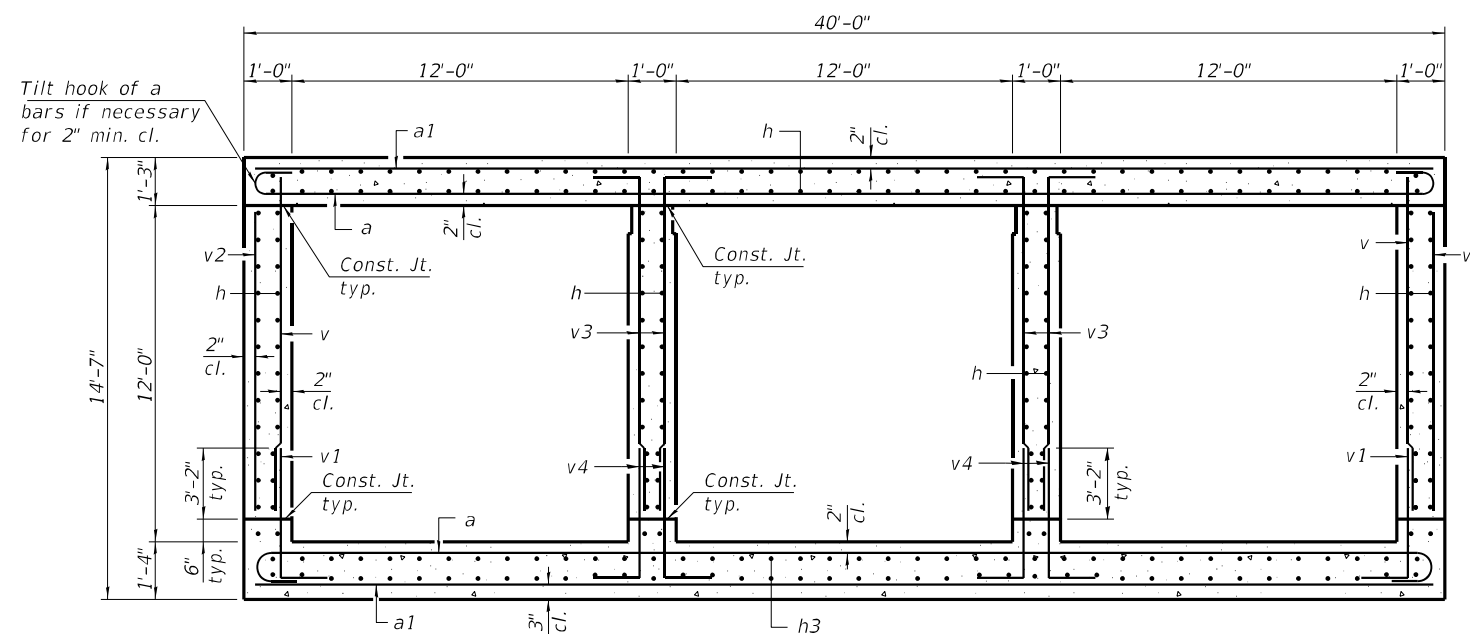
SHEET 7 OF 11 SHEETS

F.A.P. RTE.	SECTION	COUNTY	TOTAL SHEETS	SHEET NO.
75	2B-2	CHRISTIAN	31	22
CONTRACT NO. 72G06				
ILLINOIS FED. AID PROJECT				

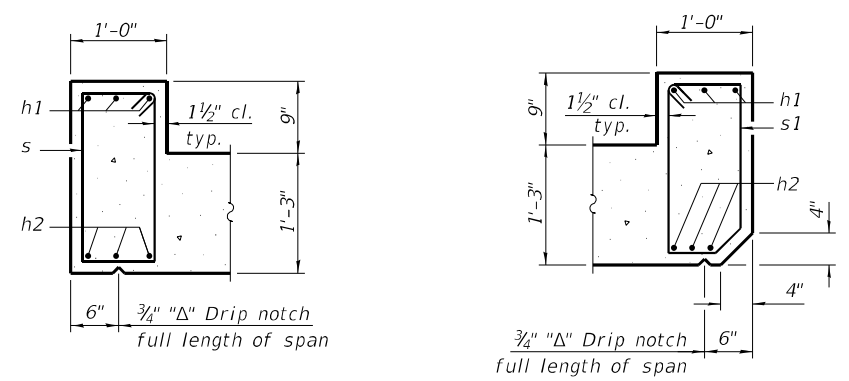


LONGITUDINAL SECTION
(Looking Southeast)

LEGEND
E.F. Each Face
I.F. Inside Face
O.F. Outside Face



SECTION THRU BARREL



SECTION THRU HEADWALL

FILE NAME = I:\21046.02\DOT D6 - W02 - Christian County 72G06 Structure Plans\CADD\DWG\Sheet\0112518-72G06-008-Culvert.dgn
 MODEL = S:\MODELS
 PLOT DRIVER = SPLDRV55



USER NAME	= rmyoung
PLOT SCALE	= 0.1667' / in.
PLOT DATE	= 1/27/2023

DESIGNED	- SPN
CHECKED	- MJT
DRAWN	- MMY
CHECKED	- SPN/MJT

REVISED	-
REVISED	-
REVISED	-
REVISED	-

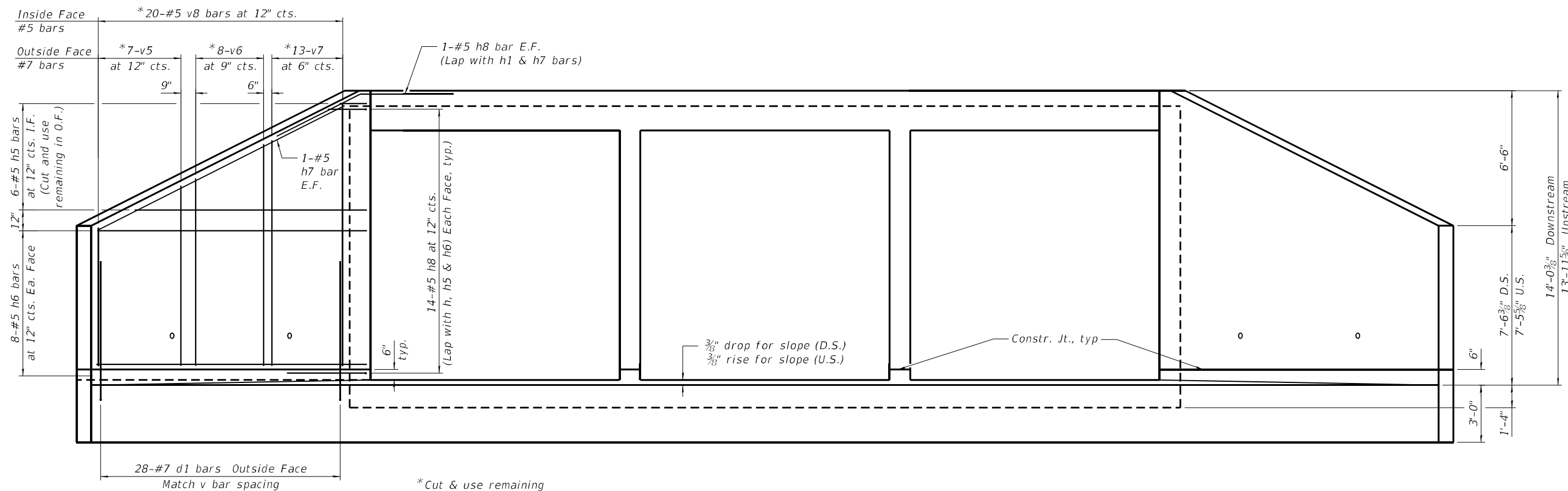
STATE OF ILLINOIS
DEPARTMENT OF TRANSPORTATION

CULVERT DETAILS
STRUCTURE NO. 011-2518

SHEET 8 OF 11 SHEETS

F.A.P. RTE.	SECTION	COUNTY	TOTAL SHEETS	SHEET NO.
75	2B-2	CHRISTIAN	31	23
CONTRACT NO. 72G06				

ILLINOIS FED. AID PROJECT

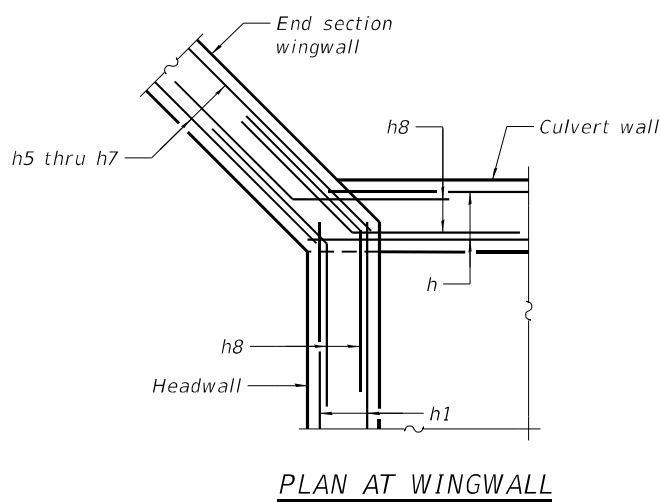


DOWNSTREAM END SECTION
(Similar for Upstream)

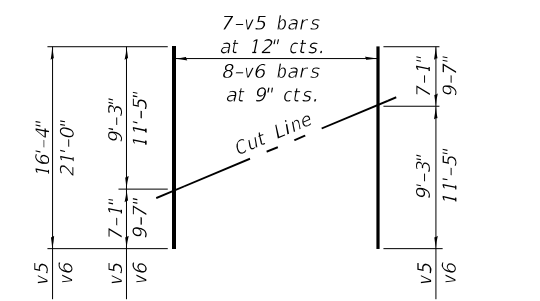
BILL OF MATERIAL

Bar	No.	Size	Length	Shape
a	252	#7	41'-4"	┌┐
a1	344	#6	39'-8"	┌┐
a2	6	#4	23'-8"	┌┐
a3	28	#6	22'-6"	┌┐
a4	54	#7	23'-10"	┌┐
d	134	#4	4'-5"	└┘
d1	112	#7	15'-0"	└┘
h	372	#6	41'-8"	┌┐
h1	6	#7	38'-8"	┌┐
h2	6	#6	39'-8"	┌┐
h3	328	#6	29'-3"	┌┐
h4	48	#6	14'-2"	┌┐
h5	24	#5	19'-5"	┌┐
h6	64	#5	18'-8"	┌┐
h7	8	#5	19'-9"	┌┐
h8	120	#5	9'-0"	┌┐
s	40	#4	5'-9"	┌┐
s1	40	#4	5'-7"	┌┐
v	312	#7	12'-6"	┌┐
v1	312	#7	5'-11"	┌┐
v2	172	#6	11'-2"	┌┐
v3	344	#6	13'-7"	┌┐
v4	344	#6	5'-9"	┌┐
v5	14	#7	16'-4"	┌┐
v6	16	#7	21'-0"	┌┐
v7	26	#7	25'-2"	┌┐
v8	40	#5	20'-2"	┌┐

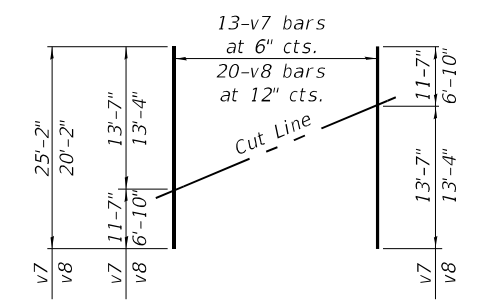
Concrete Box Culverts Cu. Yd. 581
Reinforcement Bars Pound 120,110
Bars indicated thus 1 x 3-#4 etc. indicates 1 line of bars with three lengths per line.



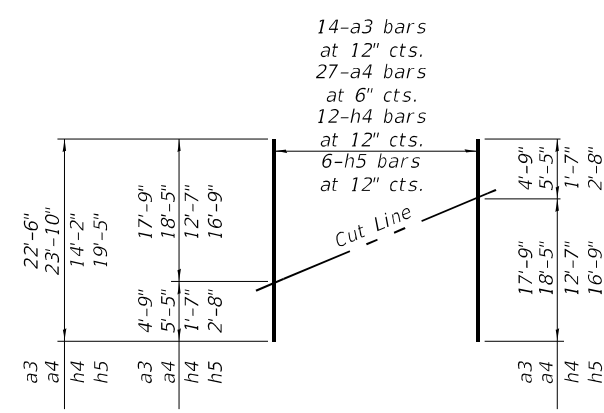
PLAN AT WINGWALL



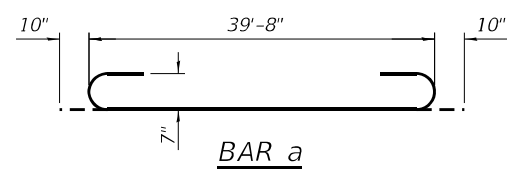
FIELD CUTTING DIAGRAM



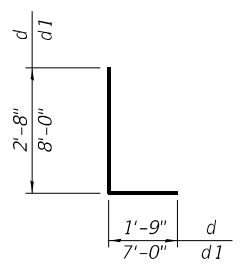
FIELD CUTTING DIAGRAM



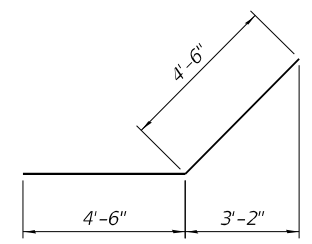
FIELD CUTTING DIAGRAM



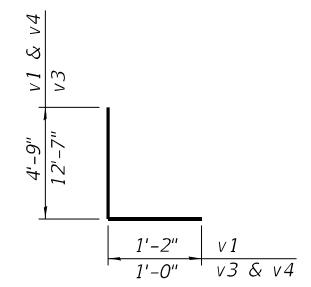
BAR a



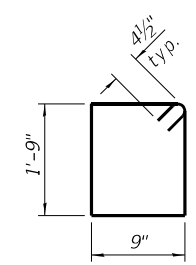
BARS d & d1



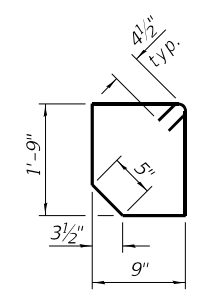
BAR h8



BARS v1, v3 & v4



BAR s



BAR s1

FILE NAME = I:\21046.02\DOT D6 - W02 - Christian County 72G06 Structure Plans\CADD\DWG\Sheet\0112518-2518-09-Culvert.dgn
MODEL = SMDLS
PLOT DRIVER = SPLDRV55

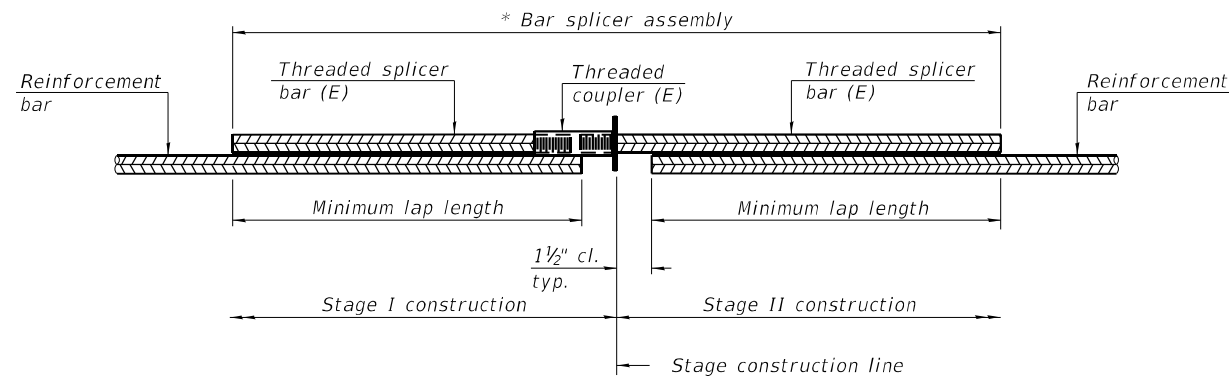


USER NAME = rmyoung	DESIGNED - SPN	REVISED -
PLOT SCALE = 0.1667' / in.	CHECKED - MJT	REVISED -
PLOT DATE = 1/31/2023	DRAWN - MMY	REVISED -
	CHECKED - SPN/MJT	REVISED -

STATE OF ILLINOIS
DEPARTMENT OF TRANSPORTATION

CULVERT DETAILS
STRUCTURE NO. 011-2518
SHEET 9 OF 11 SHEETS

F.A.P. RITE.	SECTION	COUNTY	TOTAL SHEETS	SHEET NO.
75	2B-2	CHRISTIAN	31	24
CONTRACT NO. 72G06				
ILLINOIS FED. AID PROJECT				

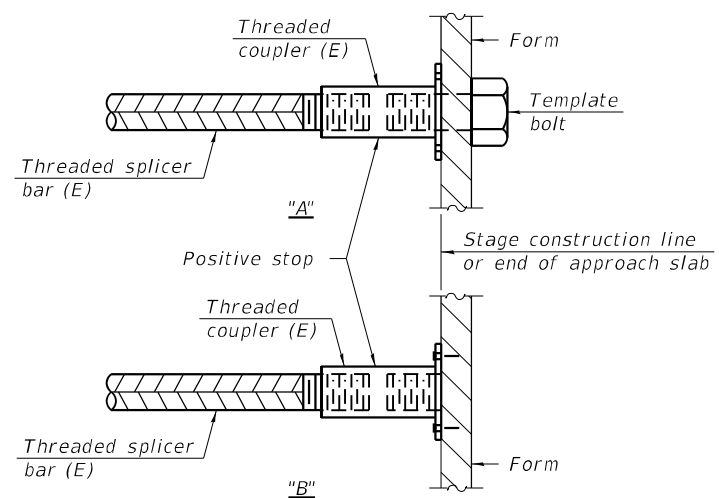


STANDARD BAR SPLICER ASSEMBLY PLAN
 (All components shall be provided from one supplier)

Threaded splicer bar length = min. lap length + 1 1/2" + thread length

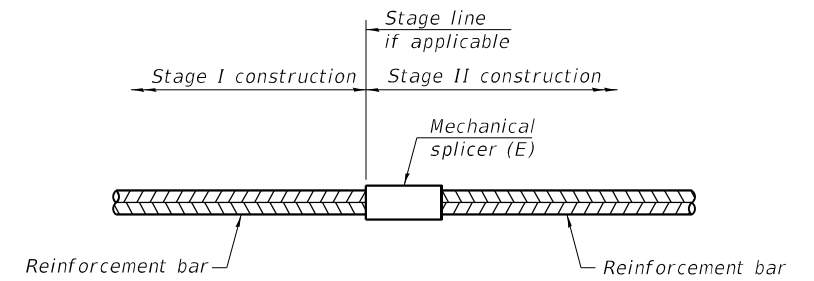
* Epoxy not required on Bar Splicer Assembly components used in conjunction with black bars.

Location	Bar size	No. assemblies required	Minimum lap length
Top slab	#6	82	3'-4"
Walls	#6	104	3'-4"
Bottom slab	#6	82	3'-4"



INSTALLATION AND SETTING METHODS

"A" : Set bar splicer assembly by means of a template bolt.
 "B" : Set bar splicer assembly by nailing to wood forms or cementing to steel forms.
 (E) : Indicates epoxy coating.



STANDARD MECHANICAL SPLICER

Location	Bar size	No. assemblies required

Notes:
 Splicer bars shall be deformed with threaded ends and have a minimum 60 ksi yield strength.
 All reinforcement shall be lapped and tied to the splicer bars.
 Bar splicer assemblies shall be epoxy coated according to the requirements for reinforcement bars. See Section 508 of the Standard Specifications.
 See approved list of bar splicer assemblies and mechanical splicers for alternatives.

FILE NAME = I:\21046.02\DOT D6 - W02 - Christian County 72G06 Structure\Main\CADD\Drawings\0112518-72G06-010-spller.dgn
 MODEL = SMDRVS
 PLOT DRIVER = SPLDRVS5

BSD-1

1-1-2020



USER NAME = rmyoung	DESIGNED - SPN	REVISED -
	CHECKED - MJT	REVISED -
PLOT SCALE = 0.1667' / in.	DRAWN - MMY	REVISED -
PLOT DATE = 1/31/2023	CHECKED - SPN/MJT	REVISED -

STATE OF ILLINOIS
 DEPARTMENT OF TRANSPORTATION

BAR SPLICER ASSEMBLY AND MECHANICAL SPLICER DETAILS
 STRUCTURE NO. 011-2518

SHEET 10 OF 11 SHEETS

F.A.P. RTE.	SECTION	COUNTY	TOTAL SHEETS	SHEET NO.
75	2B-2	CHRISTIAN	31	25
CONTRACT NO. 72G06				

ILLINOIS FED. AID PROJECT



SOIL BORING LOG

Date 8/10/22

ROUTE IL 29 DESCRIPTION Prop Box Culvert 1.8 miles N of Pana on IL 29 LOGGED BY S. Burke

SECTION (2)D-2 LOCATION NW 1/4, SEC. 7, TWP. 11 N, RNG. 1 E, 3 PM

COUNTY Christian DRILLING METHOD HSA HAMMER TYPE 140# Auto

Table with columns for Depth (ft), Blows (B), Location (L), Soil Type (S), Moisture (M), and Soil Description. Includes data for Dk Gray Moist SILTY CLAY, Lt Gray, Lt Gray CLAY, Lt Gray Clay w/ Silt Seams, Lt Gray Moist SILTY CLAY w/ thin Sand Seams, Lt Gray V Moist SILT LOAM TILL, Gray Moist SILT LOAM TILL FREE WATER, Gray Moist SILT to SILTY CLAY, and Gray V. Moist SILT LOAM.

File Name: S:\SOILS\GINT FILES\011 CHRISTIAN\CULVERT BORINGS\011-0013EX.GPJ Data Template: D:\TEMP\T.GDT Date Printed: 8/10/22

The Unconfined Compressive Strength (UCS) Failure Mode is indicated by (B-Bulge, S-Shear, P-Penetrometer, E-Estimated) Abbreviations W.O.H - Sampler Advanced By Weight of Hammer, W.O.P - Advanced by Weight of Pipe, B.S. - Before Seating The SPT (N value) is the sum of the last two blow values in each sampling zone (AASHTO T206) BBS, from 137 (Rev. 8-99)



SOIL BORING LOG

Date 12/9/22

ROUTE IL 29 DESCRIPTION Prop Box Culvert 1.8 miles N of Pana on IL 29 LOGGED BY S. Burke

SECTION (2)B-2 LOCATION NW 1/4, SEC. 7, TWP. 11 N, RNG. 1 E, 3 PM

COUNTY Christian DRILLING METHOD HSA HAMMER TYPE 140# Auto

Table with columns for Depth (ft), Blows (B), Location (L), Soil Type (S), Moisture (M), and Soil Description. Includes data for Dk Gray Moist SILTY CLAY, Lt Gray V. Moist SILT (continued), Lt Gray Moist CLAY, Lt Gray Moist SILTY CLAY w/ some gravel trace sand @34ft, Lt Gray Moist SILTY CLAY (TILL), Lt Gray V. Moist SILTY CLAY to SILT LOAM, and Lt Gray V. Moist SILT.

File Name: S:\SOILS\GINT FILES\011 CHRISTIAN\CULVERT BORINGS\011-0013EX.GPJ Data Template: D:\TEMP\T.GDT Date Printed: 12/9/22

The Unconfined Compressive Strength (UCS) Failure Mode is indicated by (B-Bulge, S-Shear, P-Penetrometer, E-Estimated) Abbreviations W.O.H - Sampler Advanced By Weight of Hammer, W.O.P - Advanced by Weight of Pipe, B.S. - Before Seating The SPT (N value) is the sum of the last two blow values in each sampling zone (AASHTO T206) BBS, from 137 (Rev. 8-99)



SOIL BORING LOG

Date 12/9/22

ROUTE IL 29 DESCRIPTION Prop Box Culvert 1.8 miles N of Pana on IL 29 LOGGED BY S. Burke

SECTION (2)B-2 LOCATION NW 1/4, SEC. 7, TWP. 11 N, RNG. 1 E, 3 PM

COUNTY Christian DRILLING METHOD HSA HAMMER TYPE 140# Auto

Table with columns for Depth (ft), Blows (B), Location (L), Soil Type (S), Moisture (M), and Soil Description. Includes data for Lt Gray Moist SILTY CLAY (TILL) (continued) and Boring Complete.

File Name: S:\SOILS\GINT FILES\011 CHRISTIAN\CULVERT BORINGS\011-0013EX.GPJ Data Template: D:\TEMP\T.GDT Date Printed: 12/9/22

The Unconfined Compressive Strength (UCS) Failure Mode is indicated by (B-Bulge, S-Shear, P-Penetrometer, E-Estimated) Abbreviations W.O.H - Sampler Advanced By Weight of Hammer, W.O.P - Advanced by Weight of Pipe, B.S. - Before Seating The SPT (N value) is the sum of the last two blow values in each sampling zone (AASHTO T206) BBS, from 137 (Rev. 8-99)

FILE NAME = 11/20/2022 IDOT D6 - W02 - Christian County 72G06 Structure #112518-72506-011-borings.dgn

KUHN & TRELLO CONSULTING ENGINEERS logo and contact information

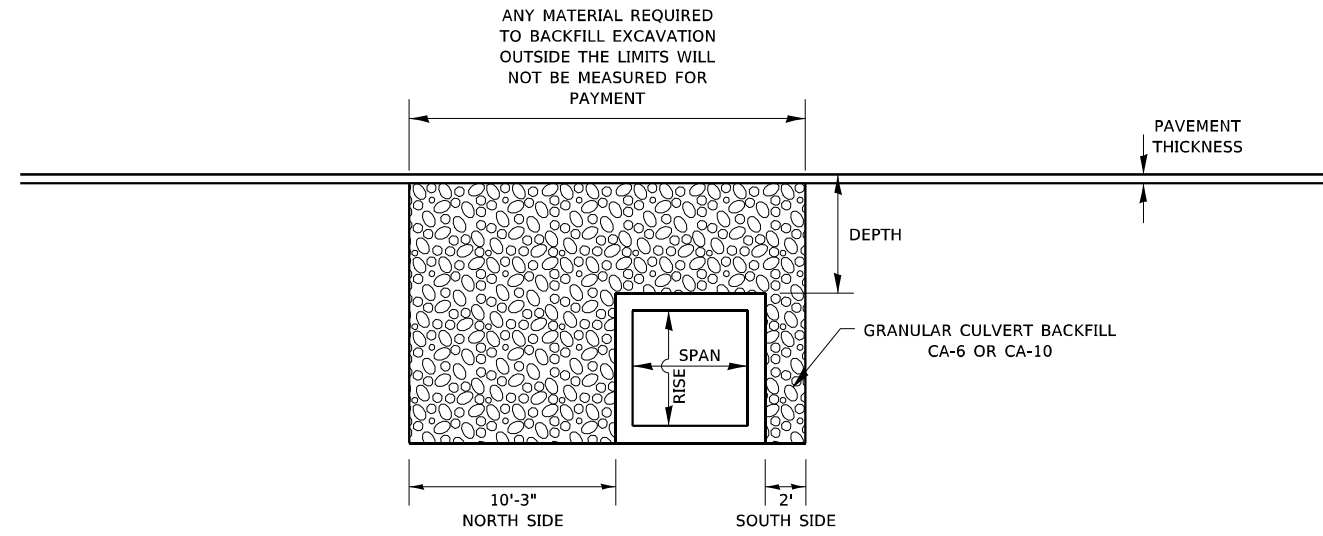
Table with columns: USER NAME, DESIGNED, CHECKED, DRAWN, PLOT SCALE, PLOT DATE

Table with columns: REVISIONS (REVISED, CHECKED)

STATE OF ILLINOIS DEPARTMENT OF TRANSPORTATION

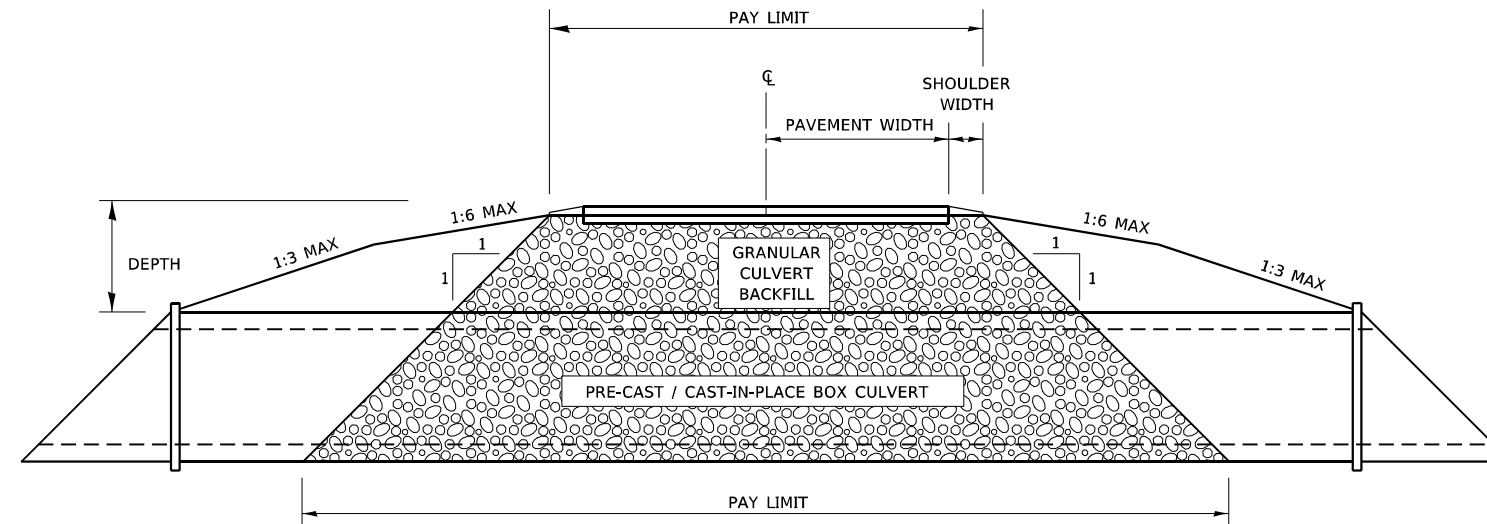
SOIL BORING LOGS STRUCTURE NO. 011-2518

Table with columns: F.A.P. R.T.E., SECTION, COUNTY, TOTAL SHEETS, SHEET NO., CONTRACT NO.



- DEPTH OF FILL > 2' & < 8'
- DEPTH OF FILL < SPAN OF LARGEST BOX CONFIGURATION

**PROFILE GRANULAR BACKFILL DETAIL
FOR EXISTING ALIGNMENTS & CONSTRUCTION**



**CROSS SECTION GRANULAR BACKFILL DETAIL
FOR EXISTING ALIGNMENTS & CONSTRUCTION**

MODEL Path: \\130402.09 IDOT D6 - PTB 187-011 - W09 - Christian County 72G06\CADD\20a\CAD\sheet\2B72G06.dwg; FILE NAME: 21130402.09 IDOT D6 - PTB 187-011 - W09 - Christian County 72G06\CADD\20a\CAD\sheet\2B72G06.dwg

200-GRANULAR DETAIL.DGN



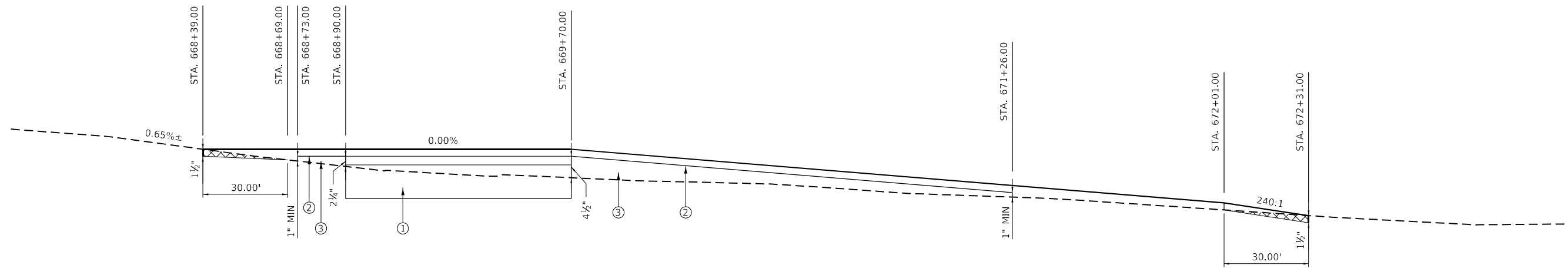
USER NAME = msutheard	DESIGNED -	REVISED -
	DRAWN -	REVISED -
PLOT SCALE = 40,0000' / in.	CHECKED -	REVISED -
PLOT DATE = 12/21/2022	DATE -	REVISED -

**STATE OF ILLINOIS
DEPARTMENT OF TRANSPORTATION**

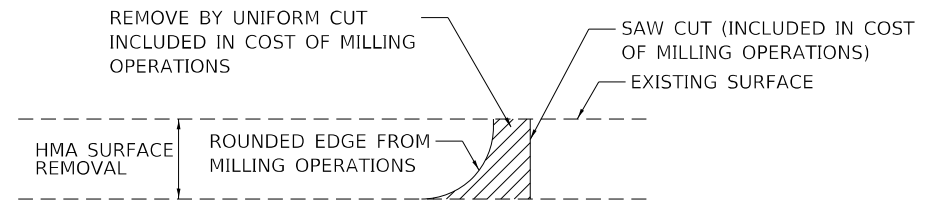
**GRANULAR CULVERT BACKFILL TO BOTTOM OF BOX CULVERT DETAILS
FAP 75 (IL 29)**

SCALE: SHEET 1 OF 1 SHEETS STA. TO STA.

F.A.P. RTE.	SECTION	COUNTY	TOTAL SHEETS	SHEET NO.
75	2B-2	CHRISTIAN	31	27
CONTRACT NO. 72G06				
ILLINOIS FED. AID PROJECT				



- ① PROPOSED PCC BASE COURSE, 8"
- ② PROPOSED HMA SURFACE COURSE IL-9.5, MIX "C", N50 1 1/2"
- ③ PROPOSED HMA BINDER COURSE IL-19.0, N50 VARIABLE DEPTH
- PROPOSED HOT-MIX ASPHALT SURFACE - BUTT JOINT



HMA DETAIL AT TRANSITIONS

MODEL: D:\p1\113046.09 IDOT D6 - PTB 187-011 - W09 - Christian County 72G06\CADD\Draw\CADD\sheet\B672C06.dwg, detail.dwg
 FILE NAME: 113046.09 IDOT D6 - PTB 187-011 - W09 - Christian County 72G06\CADD\Draw\CADD\sheet\B672C06.dwg, detail.dwg



USER NAME = msutheard	DESIGNED -	REVISED -
	DRAWN -	REVISED -
PLOT SCALE = 40,0000' / in.	CHECKED -	REVISED -
PLOT DATE = 12/21/2022	DATE -	REVISED -

STATE OF ILLINOIS
DEPARTMENT OF TRANSPORTATION

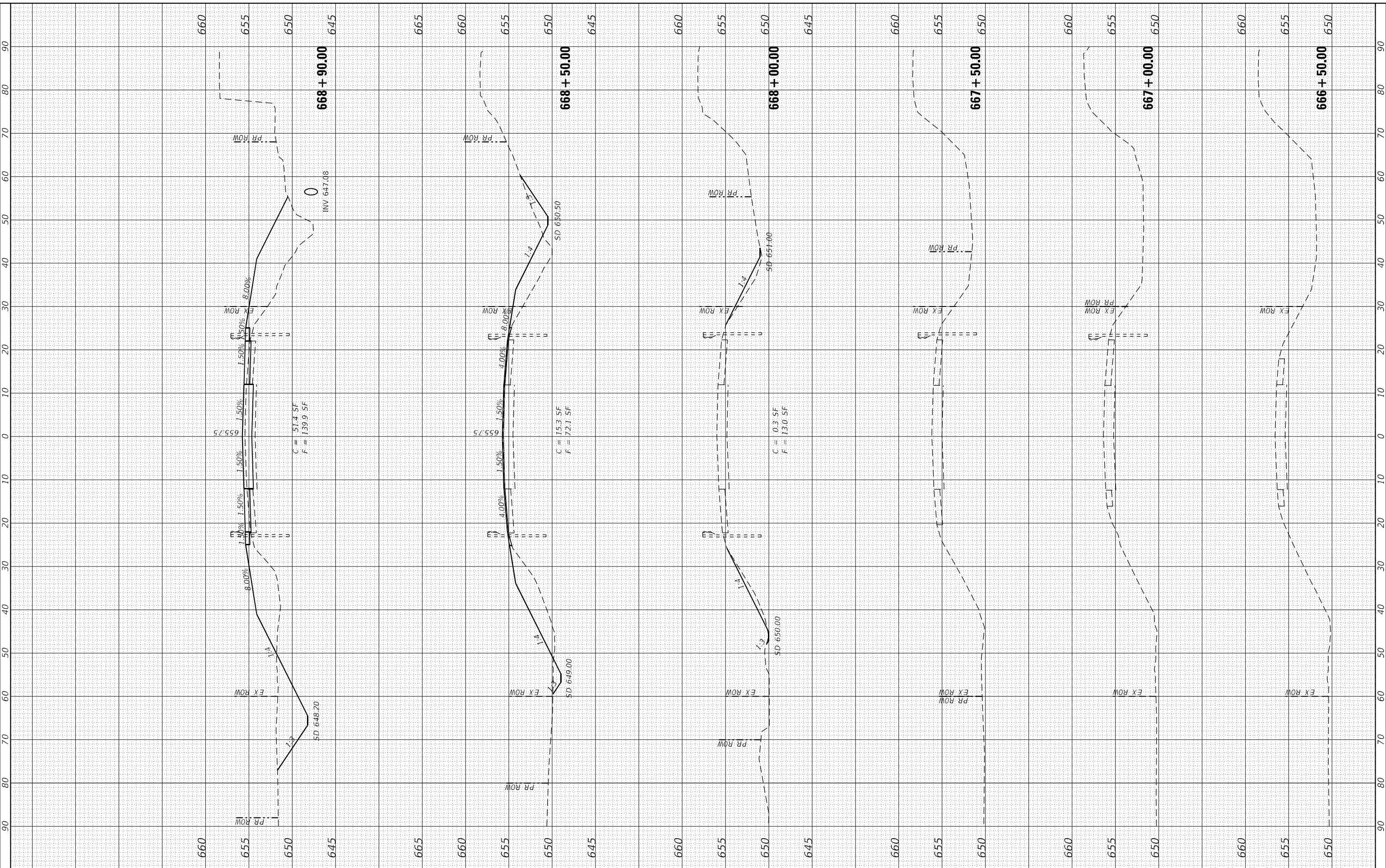
PAVING AND BUTT JOINT DETAIL			
FAP 75 (IL 29)			
SCALE:	SHEET 1	OF 1 SHEETS	STA. TO STA.

F.A.P. RTE.	SECTION	COUNTY	TOTAL SHEETS	SHEET NO.
75	2B-2	CHRISTIAN	31	28
CONTRACT NO. 72G06				
ILLINOIS FED. AID PROJECT				

FINAL SURVEY NO.	SURVEYED	BY	DATE
NOTE BOOK	PLOTTED		
AREAS CHECKED	TEMPLATE		
AREAS CHECKED	AREAS CHECKED		

ORIGINAL SURVEY NO.	SURVEYED	BY	DATE
NOTE BOOK	PLOTTED		
AREAS CHECKED	TEMPLATE		
AREAS CHECKED	AREAS CHECKED		

MODEL Definit
 FILE NAME: J:\0406.09 DOT D6 - PTB 187-011 - V09 - Christian County 22681CAD\Drawn\Drawn\22681-embxshh.dgn



KT
KUHN & TRELLO
 CONSULTING ENGINEERS
 A Limited Liability Company
 100 N. 7th Street, 3rd Floor
 Springfield, IL 62702
 Phone: 217-529-0044

USER NAME	= msutheard
DESIGNED	-
DRAWN	-
CHECKED	-
DATE	-
PLOT SCALE	= 20.0000 * / in.
PLOT DATE	= 12/21/2022

REVISIONS	-
REVISIONS	-
REVISIONS	-
REVISIONS	-
REVISIONS	-

STATE OF ILLINOIS
DEPARTMENT OF TRANSPORTATION

CROSS SECTIONS
FAP 75 (IL 29)

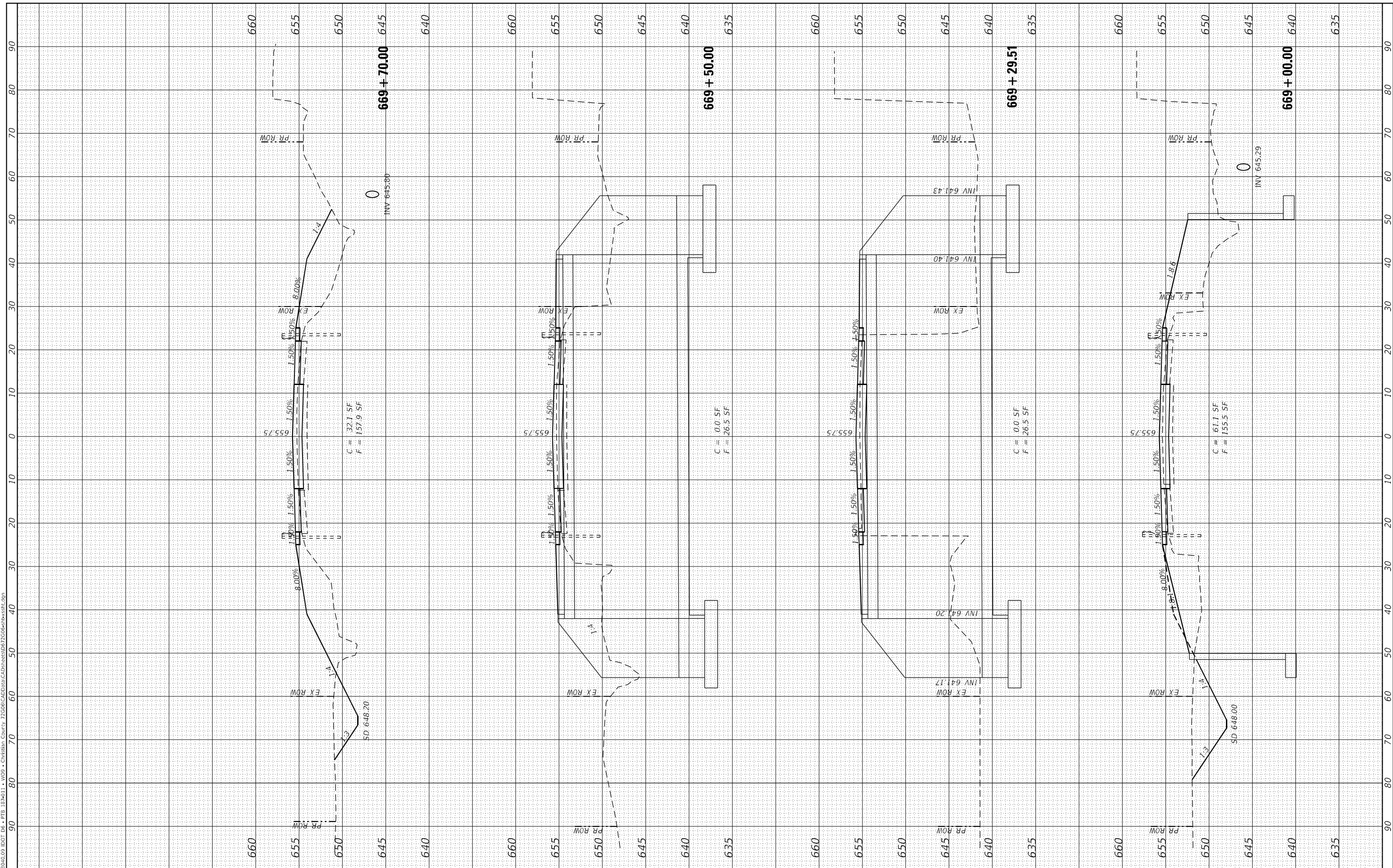
SCALE: SHEET OF SHEETS STA. 666+50.00 TO STA. 668+90.00

F.A. RTE.	SECTION	COUNTY	TOTAL SHEETS	SHEET NO.
75	2B-2	CHRISTIAN	31	29
CONTRACT NO. 72G06				
ILLINOIS FED. AID PROJECT				

FINAL SURVEY NO.	SURVEYED	BY	DATE
NOTE BOOK	PLOTTED		
AREAS CHECKED	TEMPLATE		
AREAS CHECKED	AREAS CHECKED		

ORIGINAL SURVEY NO.	SURVEYED	BY	DATE
NOTE BOOK	PLOTTED		
AREAS CHECKED	TEMPLATE		
AREAS CHECKED	AREAS CHECKED		

MODEL: Definit
 FILE NAME: J:\0406.09 DOT D6 - PTB 187-011 - V09 - Christian County 72G06\CAD\Civil\CAD\Drawings\72G06-ent\ssht.dgn



KT
KUHN & TRELLO
 CONSULTING ENGINEERS
 A Limited Liability Company
 100 N. 7th Street, 3rd Floor
 Springfield, IL 62702
 Phone: 217-529-0044
 Professional Design Firm No. 184-006516

USER NAME = msutheard
PLOT SCALE = 20,0000 * / in.
PLOT DATE = 12/21/2022

DESIGNED -	REVISIONS
DRAWN -	REVISIONS
CHECKED -	REVISIONS
DATE -	REVISIONS

**STATE OF ILLINOIS
 DEPARTMENT OF TRANSPORTATION**

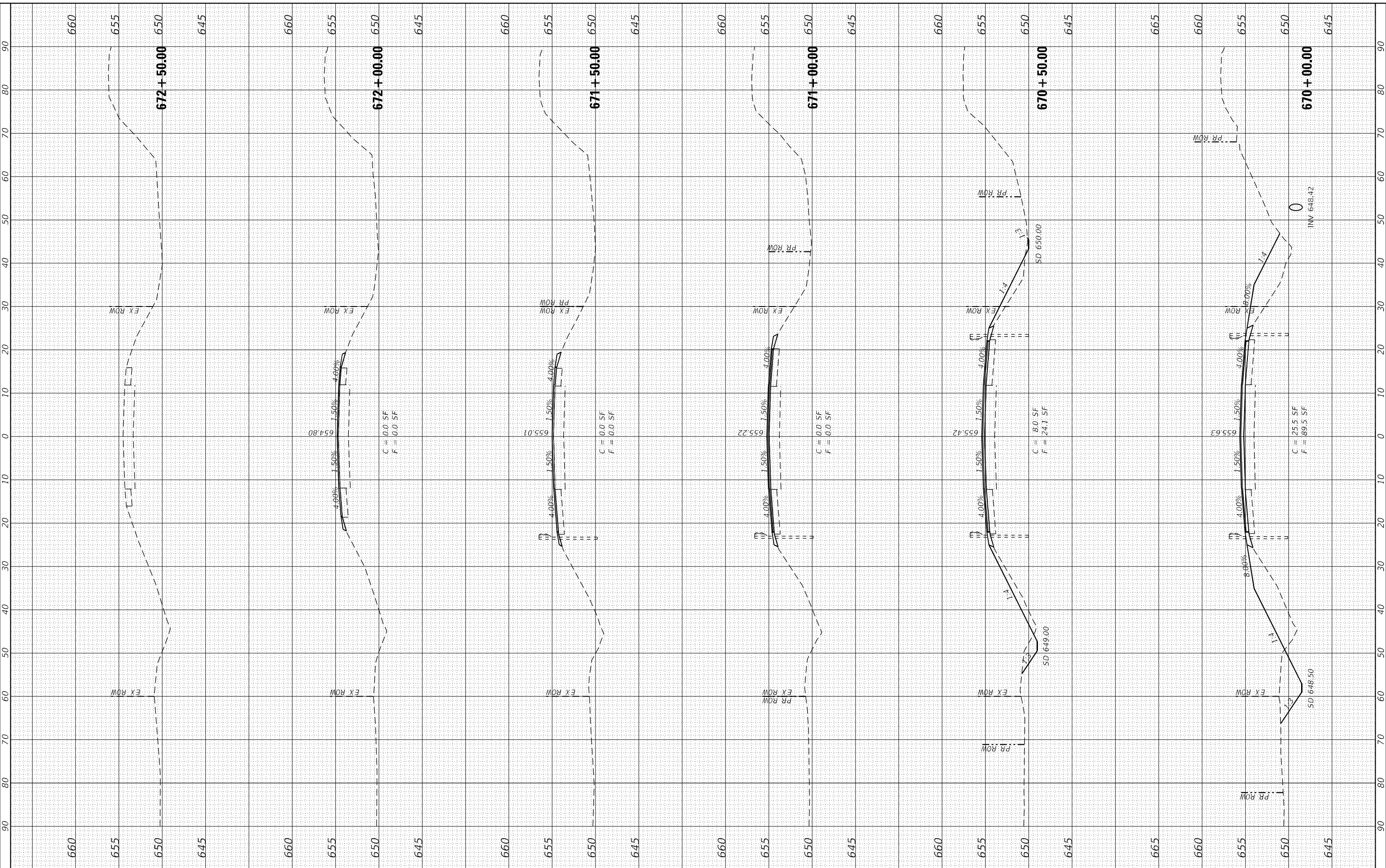
CROSS SECTIONS FAP 75 (IL 29)				
SCALE:	SHEET	OF	SHEETS	STA. 669+00.00 TO STA. 669+70.00

F.A. RTE.	SECTION	COUNTY	TOTAL SHEETS	SHEET NO.
75	2B-2	CHRISTIAN	31	30
CONTRACT NO. 72G06				
ILLINOIS FED. AID PROJECT				

FINAL SURVEY NO.	SURVEYED	BY	DATE
NOTE BOOK	PLOTTED		
AREAS CHECKED	TEMPLATE		
AREAS CHECKED	AREAS CHECKED		

ORIGINAL SURVEY NO.	SURVEYED	BY	DATE
NOTE BOOK	PLOTTED		
AREAS CHECKED	TEMPLATE		
AREAS CHECKED	AREAS CHECKED		

MODEL: Default
 FILE NAME: J:\0406.09 DOT D6 - PTB 187-11 - V09 - Christian County 72G06\CAD\Drawn\Drawn\72G06-entwssht.dgn



KT
KUHN & TRELLO
 CONSULTING ENGINEERS
 A Limited Liability Company
 100 N. 7th Street, 3rd Floor
 Springfield, IL 62702
 Phone: 217-529-0000
 Professional Design Firm No. 184-006516

USER NAME = msutheard
PLOT SCALE = 20.0000" / in.
PLOT DATE = 12/21/2022

DESIGNED -
DRAWN -
CHECKED -
DATE -

REVISED -
REVISED -
REVISED -
REVISED -

STATE OF ILLINOIS
DEPARTMENT OF TRANSPORTATION

SCALE:	SHEET	OF	SHEETS	STA. 670+00.00	TO STA. 672+50.00
--------	-------	----	--------	----------------	-------------------

CROSS SECTIONS
FAP 75 (IL 29)

F.A. RTE. 75	SECTION 2B-2	COUNTY CHRISTIAN	TOTAL SHEETS 31	SHEET NO. 31
ILLINOIS FED. AID PROJECT			CONTRACT NO. 72G06	