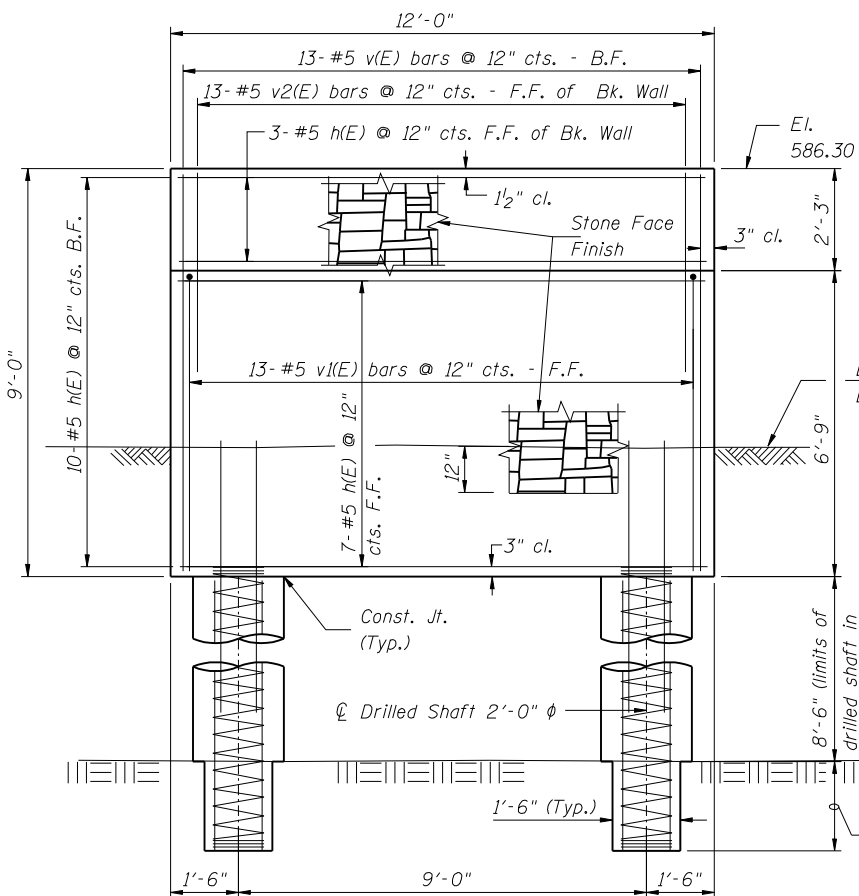
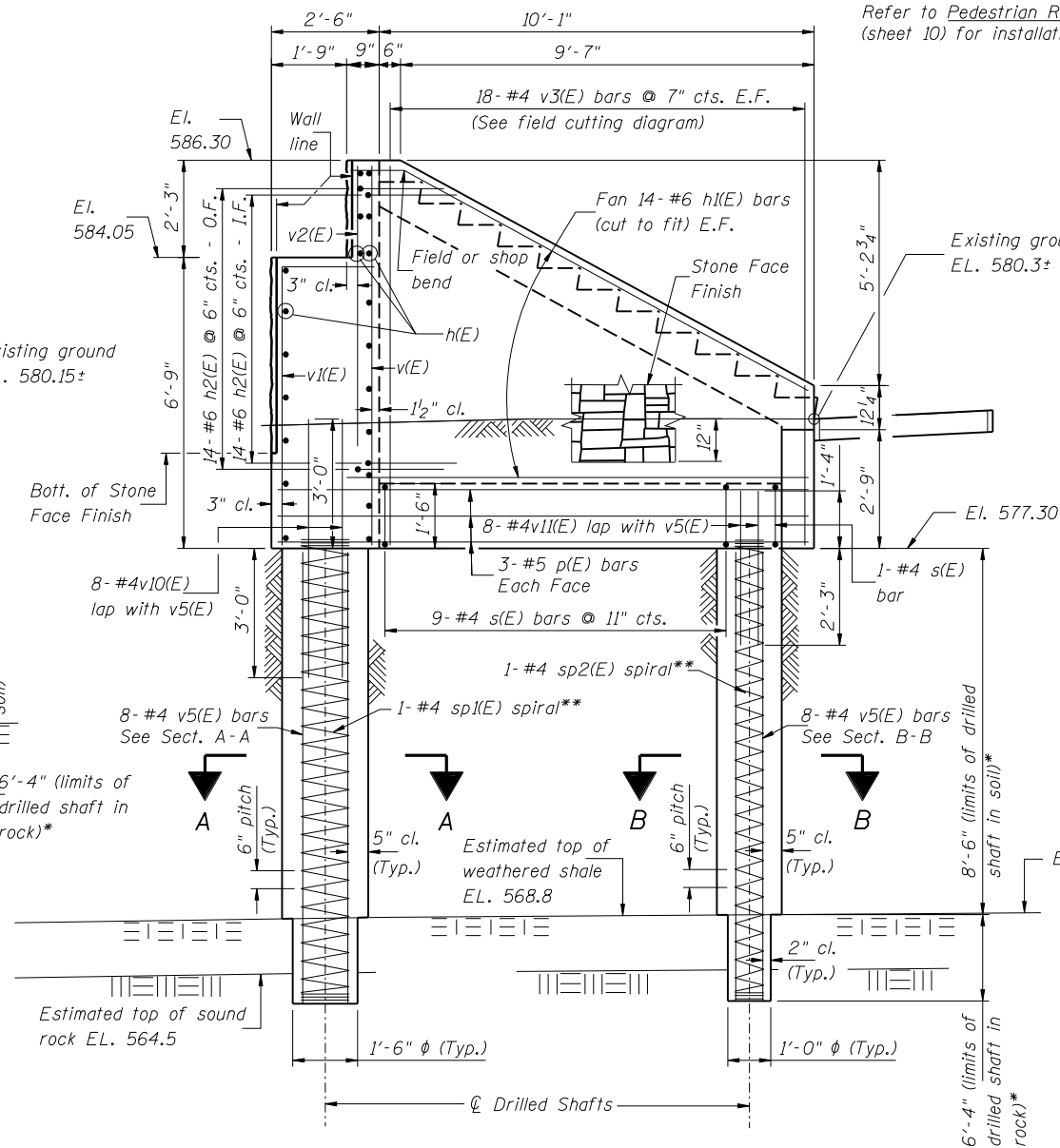


Note:
Refer to Pedestrian Railing - South Abutment
(sheet 10) for installation of railing



ELEVATION
(Looking South)

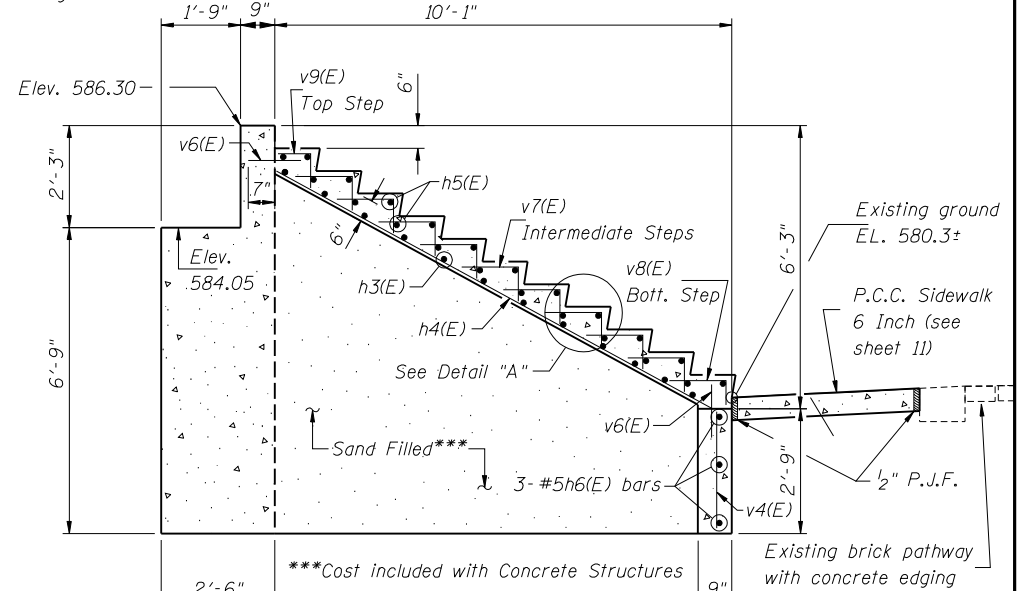


WINGWALL AND DRILLED SHAFT ELEVATION

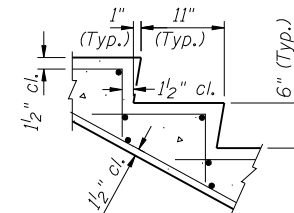
*The quantities and detailing are based on the estimated elevations shown on the plans. The actual elevations may differ at each shaft and corresponding adjustments shall be made to the drilled shaft and reinforcement quantities and payment limits.

** Provide 1/2 extra turns top and bottom of each drilled shaft. Extend spiral 2" into abutment or wingwall cap. Provide min. 4-#4 spacers or equivalent.

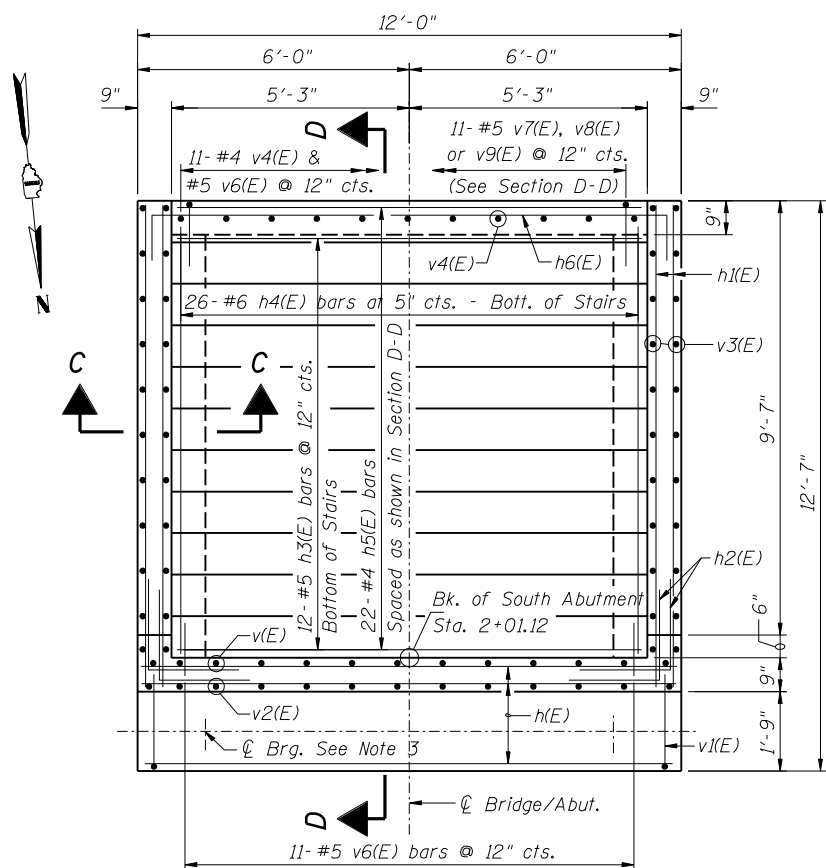
O.F. = Outside Face
I.F. = Inside Face
F.F. = Front Face
B.F. = Back Face
E.F. = Each Face



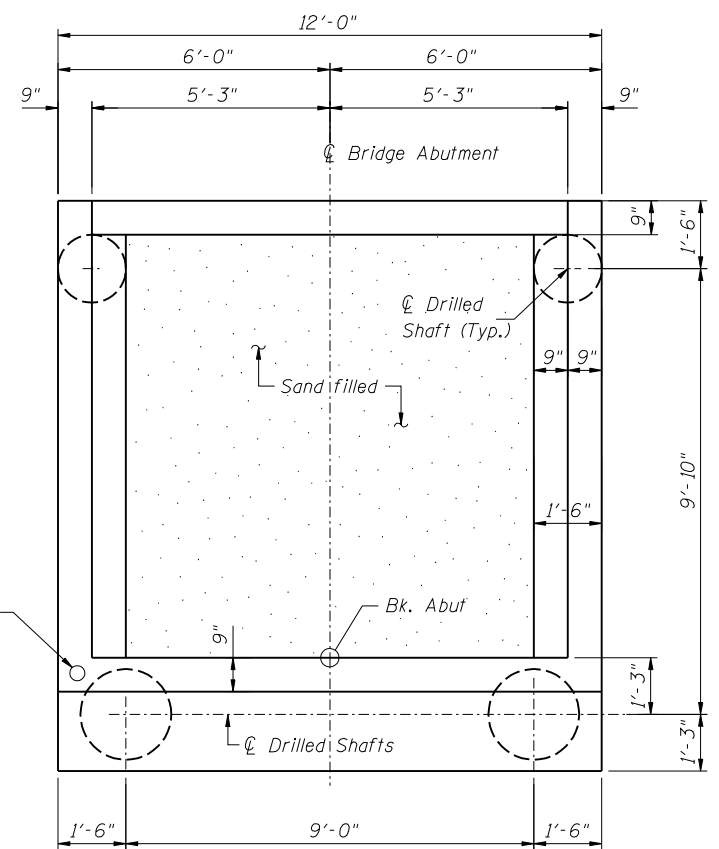
SECTION D-D



DETAIL "A"



PLAN
(Top View)



PLAN
(Bottom View)