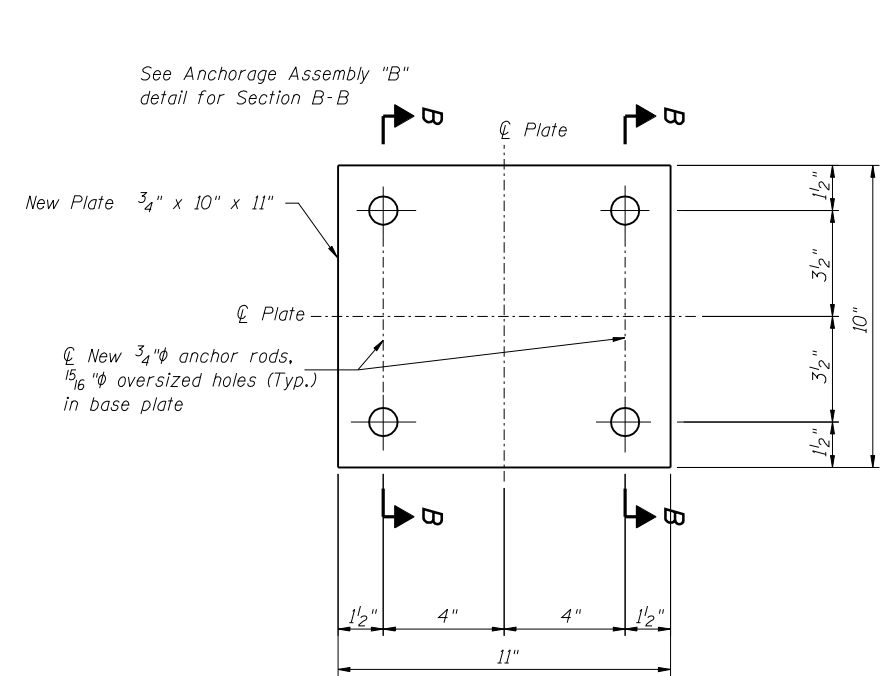
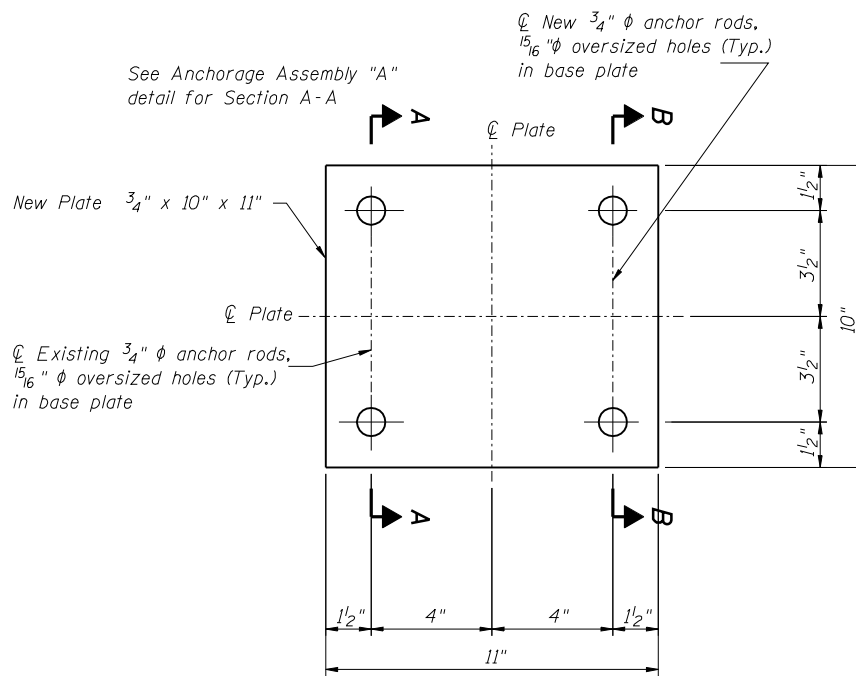
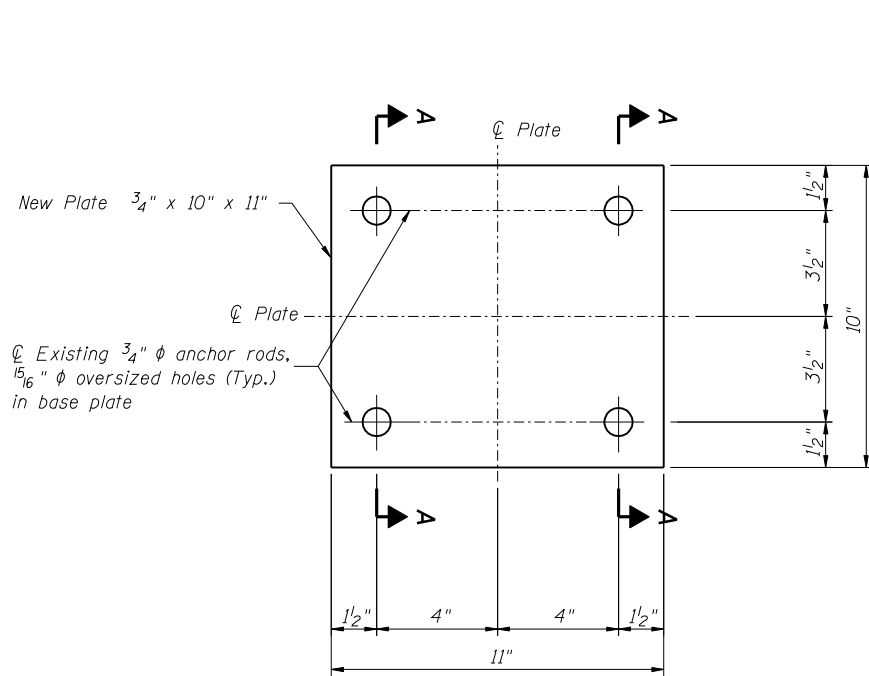


C:\Dwr\Proj\p\Projects\Yorkville Dam Phase 3\Plans DGN\Gage Station Walkway III.dgn

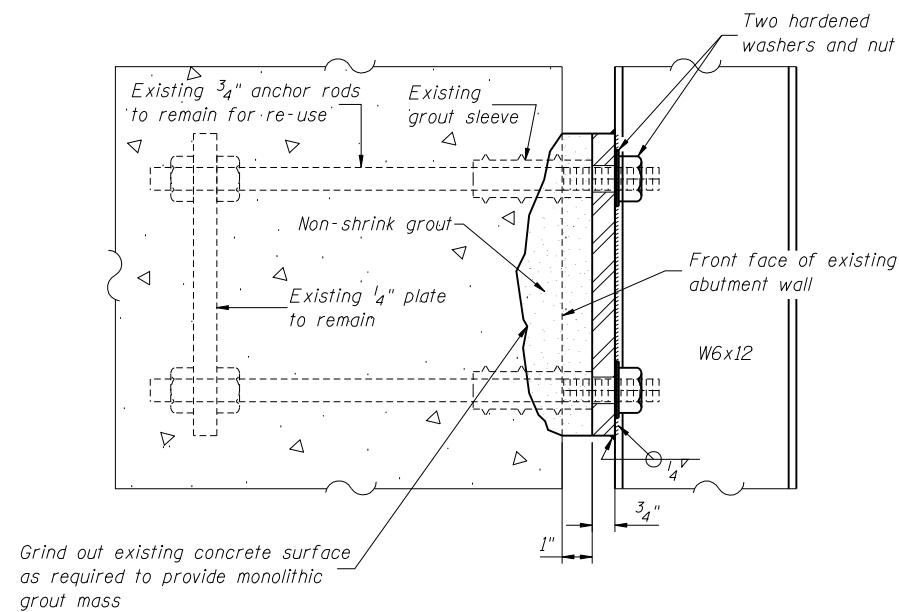
5:07:36 PM

2/14/2011

Designed By TMM Checked By JUF
Drawn By JUF Checked By TMM



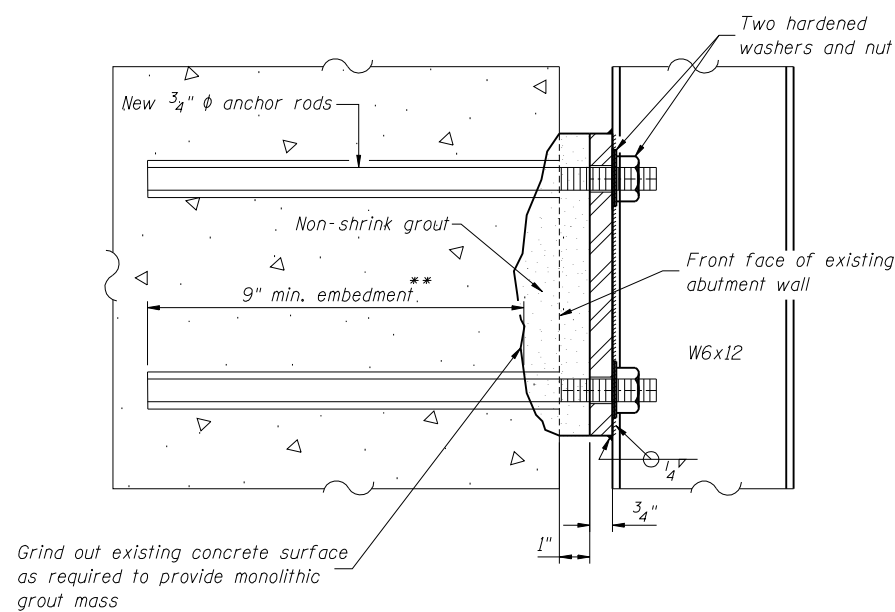
ANCHORAGE ASSEMBLY "C"



SECTION A-A

ANCHORAGE ASSEMBLY "A"

** Epoxy grouting of anchor rods shall be done according to section 584 of the Standard Specifications



SECTION B-B

ANCHORAGE ASSEMBLY "B"

NOTE:
Work this sheet with sheets 12 & 13.

BILL OF MATERIAL

Item	Unit	Total
Gage Station Walkway	L Sum	1