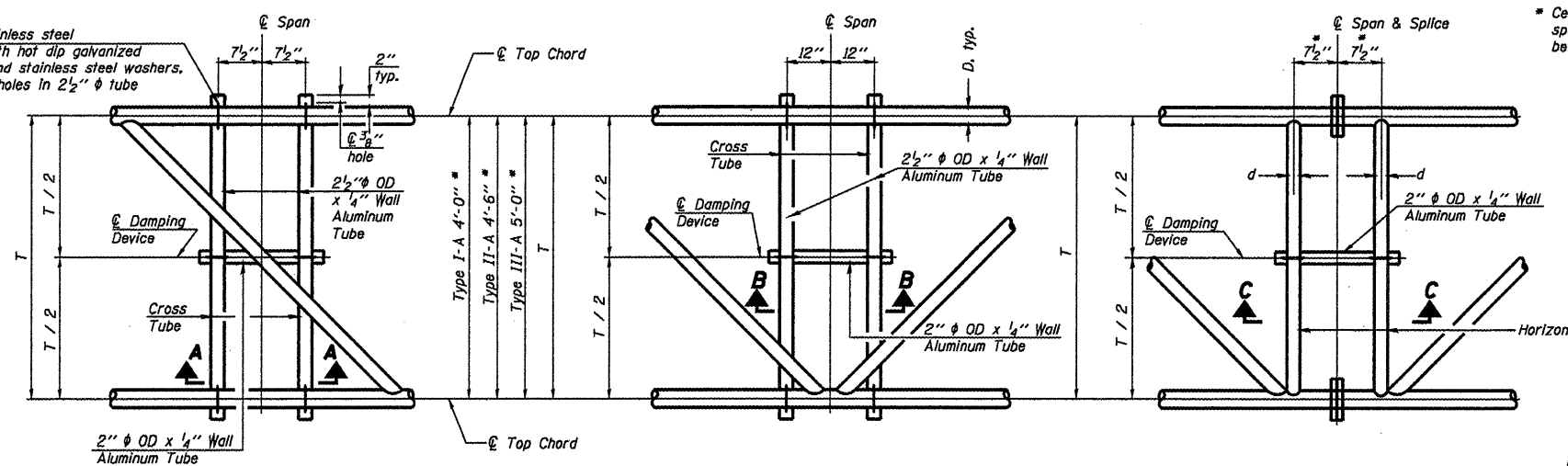


5/8" φ stainless steel
U-bolt with hot dip galvanized
locknuts and stainless steel washers,
typ. 3/8" φ holes in 2 1/2" φ tube



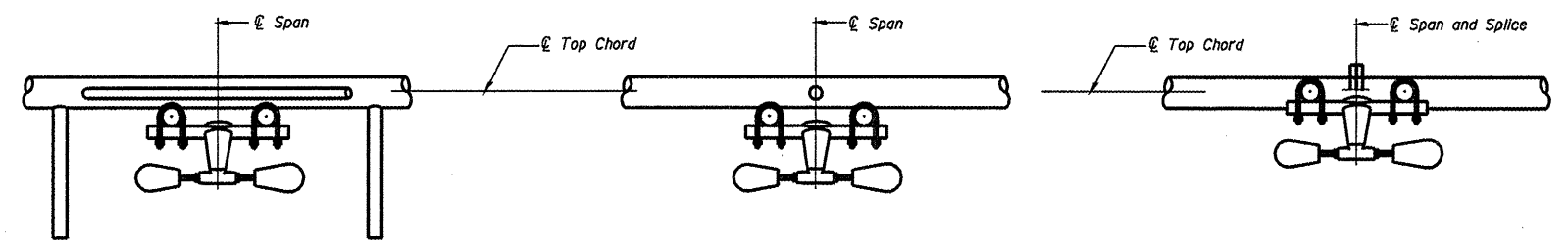
Center of horizontal to center of
splice dimension may vary. Verify
before drilling holes in mounting tube.

PLAN DETAIL "A"
Span between Panel Points

PLAN DETAIL "B"
Span at Panel Point

PLAN DETAIL "C"
Span at Chord Splice

NOTES
Damper: One damper per truss. (31 lbs. minimum Stockbridge-Type
Aluminum - 29" minimum between ends of weights) Cost
included in Overhead Sign Structure...
Materials: Materials: Aluminum tubes shall be ASTM B221 alloy 6061
temper T6. Cost included in Overhead Sign Structure...

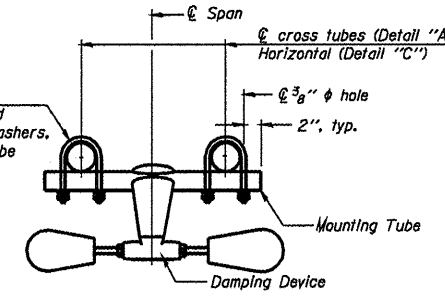


SECTION A-A

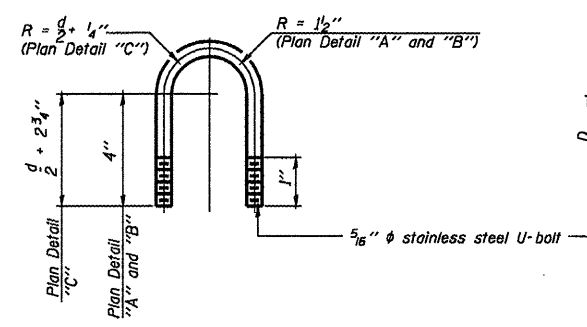
SECTION B-B

SECTION C-C

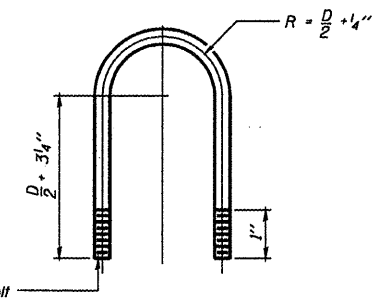
5/8" φ stainless steel
U-bolt with hot dip galvanized
locknuts and stainless steel washers,
typ. 3/8" φ holes in mounting tube



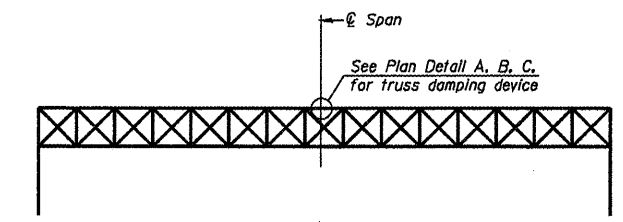
**TRUSS DAMPING
DEVICE CONNECTION DETAIL**
(Typical)



**DAMPING DEVICE MOUNTING
TUBE U-BOLT DETAIL**
(Typical)



**TOP CHORD TO CROSS TUBE
U-BOLT DETAIL**
(Typical - Detail "A" and "B")



ELEVATION
Aluminum Overhead
Sign Truss

OS-A-D

7-1-10

FILE NAME :	USER NAME :	DESIGNED -	REVISD -	STATE OF ILLINOIS DEPARTMENT OF TRANSPORTATION	OVERHEAD SIGN STRUCTURE DAMPING DEVICE	F.A. RTE.	SECTION	COUNTY	TOTAL SHEET NO.
PLOT SCALE :	DRAWN -	CHECKED -	REVISD -			Various D-4 DVD SIM STR REPL 11-29	INDH-PEORIA	30	11
PLOT DATE :	CHECKED -	REVISD -	REVISD -			CONTRACT NO. 46182			
						SHEET NO. 11 OF 30 SHEETS			